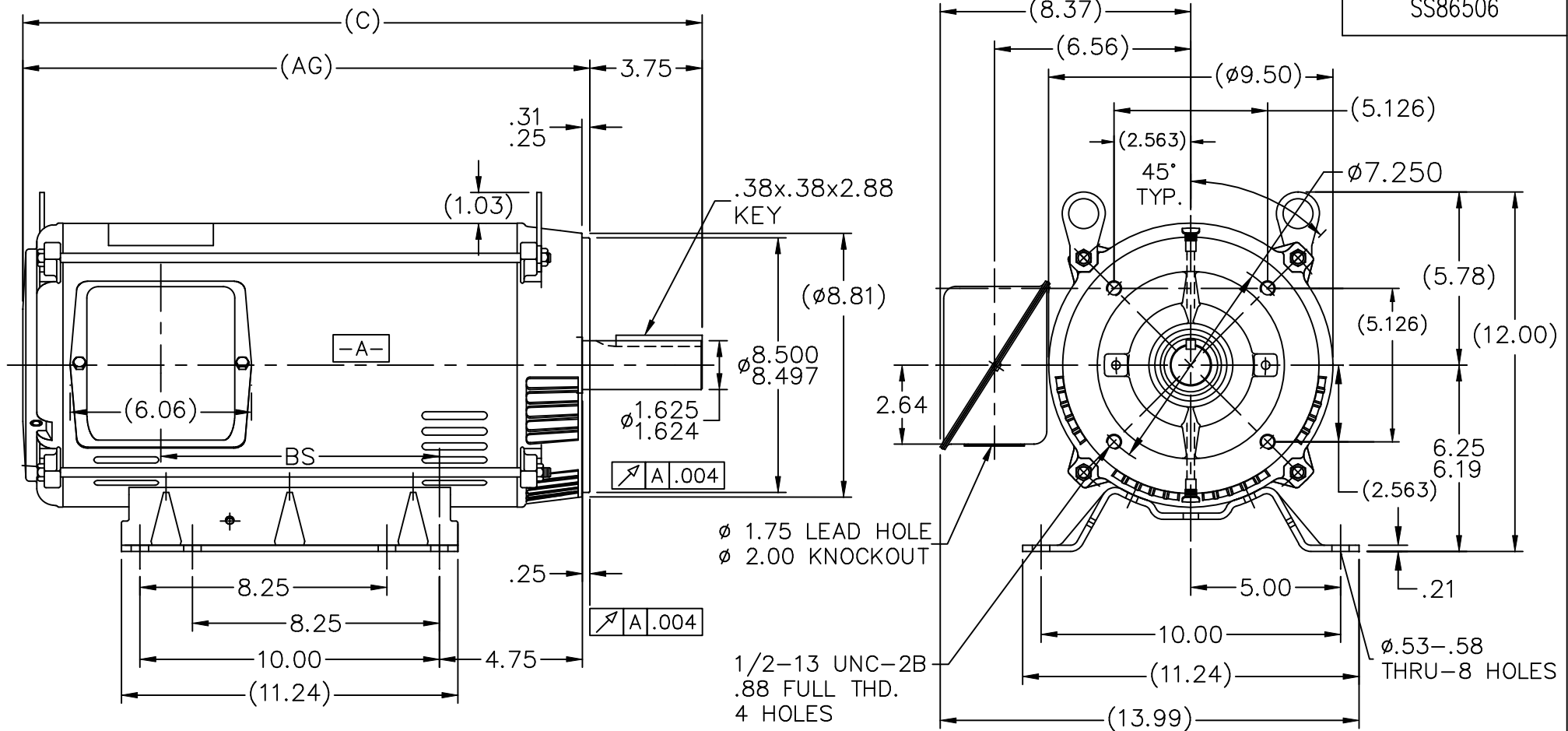


SS86506



DASH	FR.	C	BS	AG	MOUNTING
1340	254T	20.89	7.68	17.14	F1 OR F2
1515	254/256T	22.64	9.43	18.89	F1 OR F2

- NOTES:
1. NAMEPLATE TO BE READ FROM C'BOX SIDE OF MOTOR.
 2. BOX CAN BE MOUNTED IN 90° STEPS.
 3. BOX CAN BE MOUNTED ON OPPOSITE SIDE BY REMOVING BRACKETS AND TURNING FRAME 180°. (EXCEPT AS NOTED.)

			TOLERANCES UNLESS SPECIFIED		MARATHON ELECTRIC	DRAWN KL 09-15-1993			
			DEC.	INCHES		CHK ML 09-16-1993	APPD DRN 09-16-1993	SCALE 1=5	REF
5	UPDATED DRAWING		TJW 04/27/2007		TITLE OUTLINE 250T FR. - BB - TS - DR.PR. - 'C' FACE				
4	REDRAWN IN AUTOCAD		TAT 06-29-2004	ML .X ±.1					
3	UPDATED C' BOX		MSG 02-07-2001	.XX ±.03					
2	DASH 1515 WAS FOR 256T FR. ONLY		KL 10-11-1994	.XXX ±.005					
1	NEW DRAWING		KL 10-01-1993	.XXXX ±.0005					
NO.	REVISION		BY & DATE	CHK ANG ±7'30"	MAT'L.				
THIS DRAWING IN DESIGN AND DETAIL IS OUR PROPERTY AND MUST NOT BE USED EXCEPT IN CONNECTION WITH OUR WORK ALL RIGHTS OF DESIGN AND INVENTION ARE RESERVED THIS IS AN ELECTRONICALLY GENERATED DOCUMENT - DO NOT SCALE THIS PRINT			RFP		CAD FILE ss86506	SIZE A	DRAWING NO. SS86506	PAGE OF	REV. 5
			DIST LB						

ERROR: syntaxerror
OFFENDING COMMAND: --nostringval--

STACK:

-savelevel-