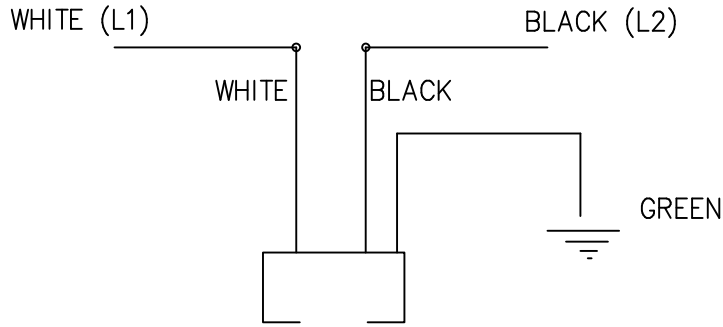
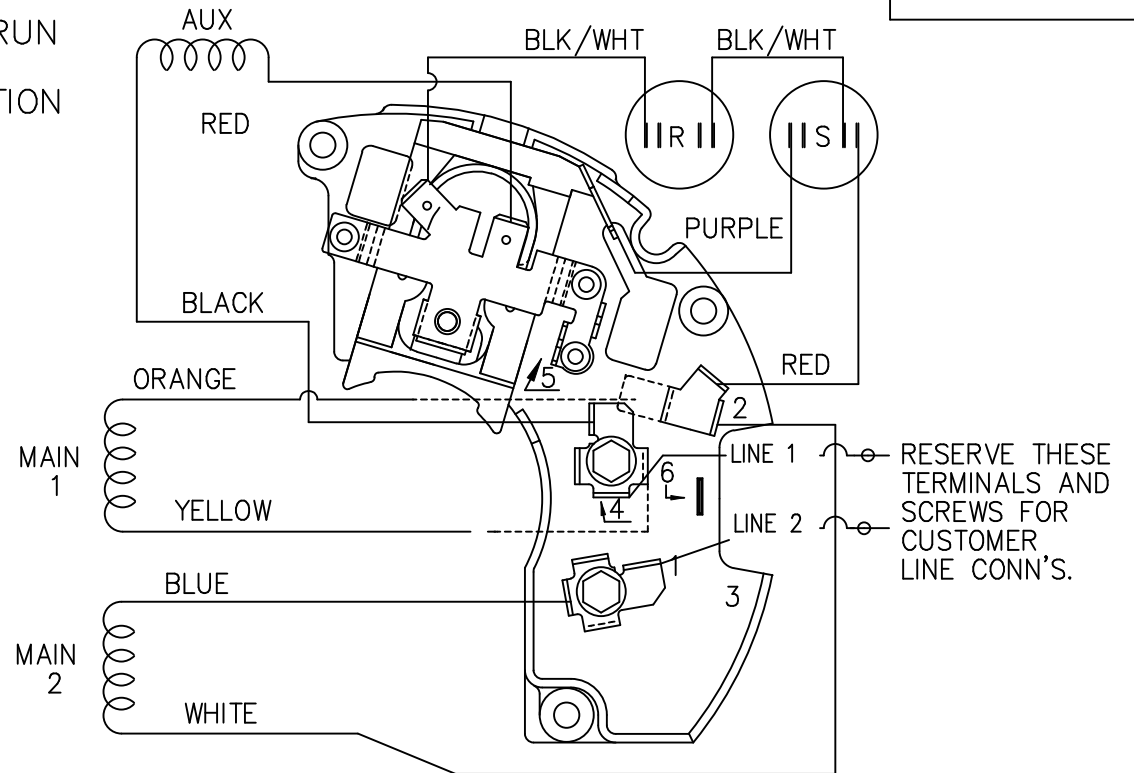
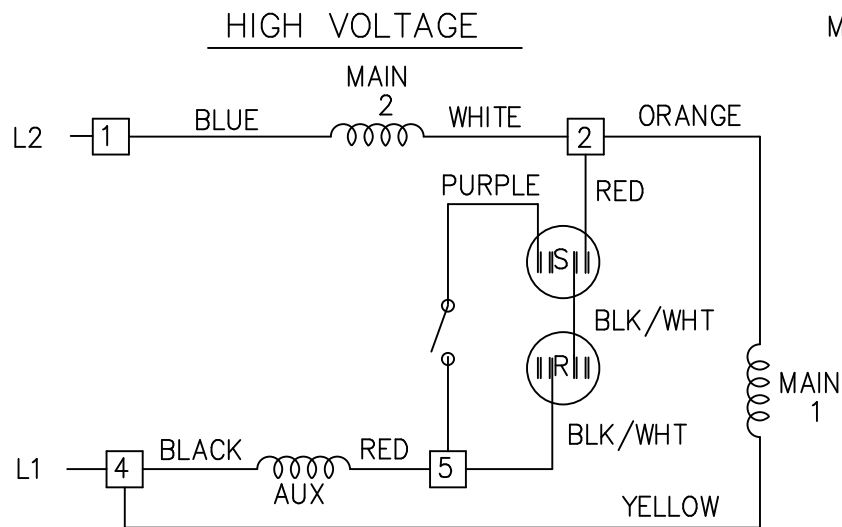


SINGLE VOLTAGE
CAP START/CAP RUN
REVERSIBLE NO
OVERLOAD PROTECTION



CORD OR LEAD HARNESS



RESERVE THESE
TERMINALS AND
SCREWS FOR
CUSTOMER
LINE CONN'S.

VIEWING TERM END

CCW ROTATION SHOWN.

TO REVERSE ROTATION
INTERCHANGE RED
LEAD WITH BLACK LEAD.

DASH LINES INDICATE LEADS CONNECTED
TO MOTOR SIDE OF SWITCH.

				TOLERANCES UNLESS SPECIFIED			DRAWN RM 03/18/1992	
				DEC.	INCHES		CHK ML 03/18/1992	
				.X	±.1		APPD GK 03/18/1992	
				.XX	±.02	TITLE CONNECTION DIAGRAM	SCALE 1=1	
2	ADDED CORD LEAD HARNESS	CN36522	RDH 04/03/2003	JET .XXX	±.005	48 FR. DUAL VOLTAGE REVERSIBLE	REF	
1	NEW DRAWING	3850093	RM 03/26/1992	GK .XXXX	±.0005	MAT'L.	FMF	
NO.	REVISION	BY & DATE	CHK ANG	±7'30"	FINISH		PREV	
THIS DRAWING IN DESIGN AND DETAIL IS OUR PROPERTY AND MUST NOT BE USED EXCEPT IN CONNECTION WITH OUR WORK ALL RIGHTS OF DESIGN AND INVENTION ARE RESERVED THIS IS AN ELECTRONICALLY GENERATED DOCUMENT - DO NOT SCALE THIS PRINT				RFP	CAD FILE EE9007Z	SIZE A	DRAWING NO. EE9007Z	PAGE OF 2
				DIST WP				REV. 2