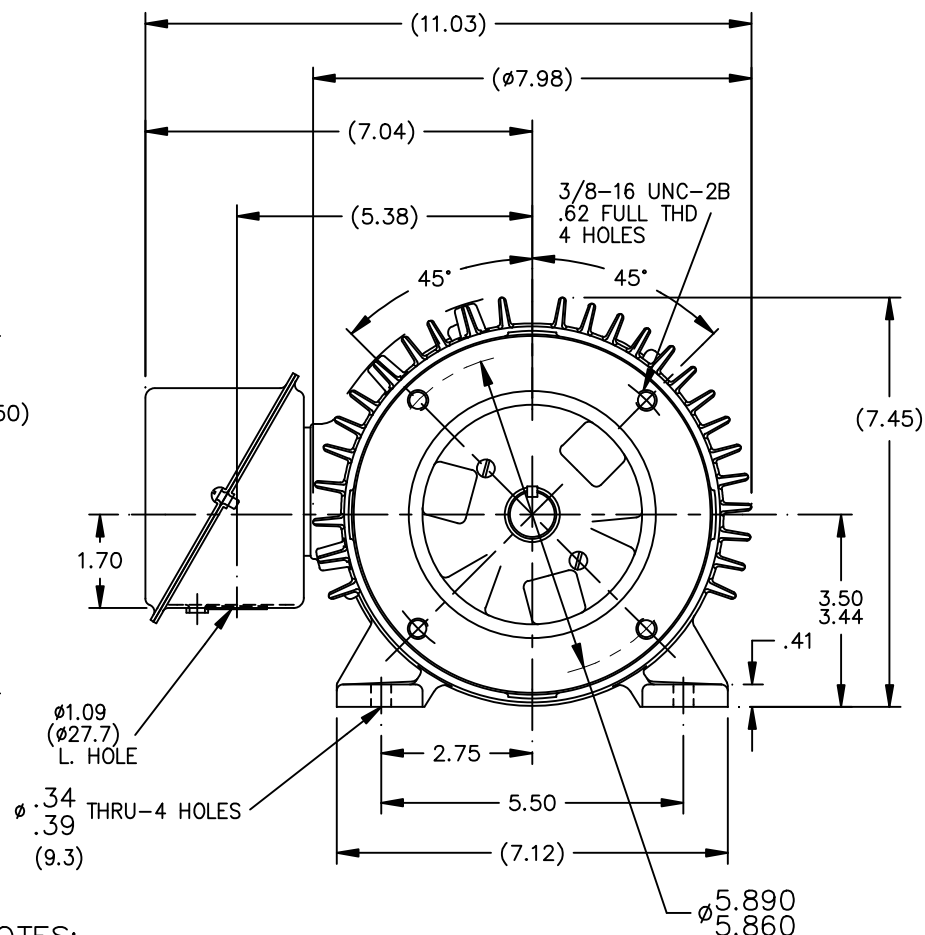


TERM. END



NOTES:

- 1- BOX CAN BE ROTATED IN 90° STEPS.
- 2- BOX CAN BE MOUNTED ON OPPOSITE SIDE BY REMOVING BRACKETS AND TURNING FRAME 180°.
- 3- NAMEPLATE READ FROM CONDUIT BOX SIDE OF MOTOR.

DASH	FR.	B	C	BS	2F	AG
525	143T	5.00 {127.0}	13.68 {347.5}	2.81 {71.4}	4.00 {101.6}	9.25 {235.0}
625	145T	6.00 {152.4}	14.68 {372.9}	3.81 {96.8}	5.00 {127.0}	10.25 {260.4}

NO.	REVISION	BY & DATE	CHK	TOLERANCES UNLESS SPECIFIED		FINISH
				DEC.	INCHES	
3	RELOCATED BRG LOCK SCREWS CN 24300-450	DRS 09-25-2002	ML	.X	\pm .1	
2	REVISED TO SHOW REAR BRACKET ROTATED CORRECTLY CN 25600-241	MRB 06-18-1998		.XX	\pm .03	
1	NEW DRAWING 4377719	BLR 05-09-1996		.XXX	\pm .005	
				.XXXX	\pm .0005	
				ANG	\pm 7'30"	

	DRAWN BLR 05-06-1996	
	CHK ML 05-07-1996	
TITLE OUTLINE 140T FR. - BB - TS - TENV	APPD TG 05-09-1996	
MAT'L.	SCALE 1=3.5	
FINISH	REF	
	FMF	
	PREV	
RFP	CAD FILE 104122	SIZE A
DIST WP		DRAWING NO. 104122
		PAGE OF 3
		REV. 3

THIS DRAWING IN DESIGN AND DETAIL IS OUR PROPERTY AND MUST NOT BE USED EXCEPT IN CONNECTION WITH OUR WORK ALL RIGHTS OF DESIGN AND INVENTION ARE RESERVED THIS IS AN ELECTRONICALLY GENERATED DOCUMENT - DO NOT SCALE THIS PRINT