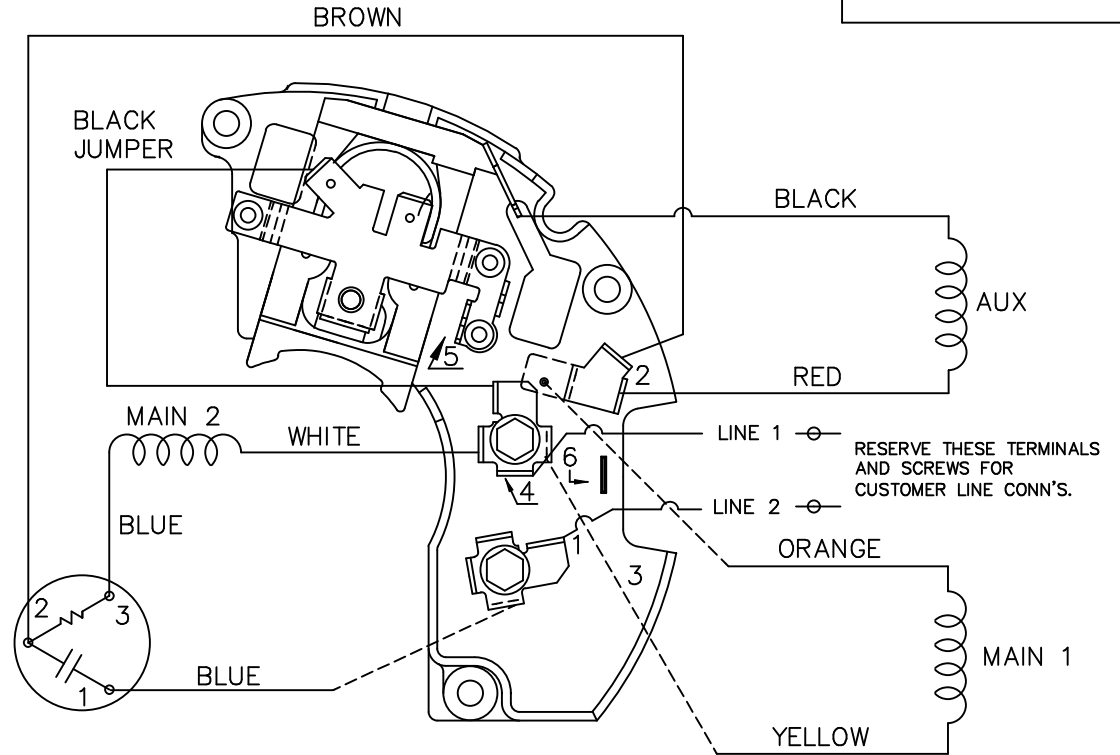


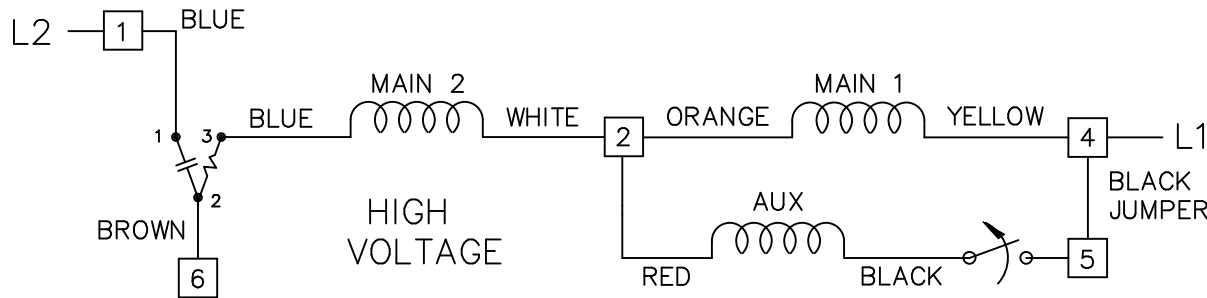
LOW VOLTAGE

DUAL VOLTAGE – SPLIT PHASE
REVERSIBLE ON TERM BOARD
WITH OVERLOAD PROTECTION



VIEWING TERM END

LOW VOLTAGE CCW ROTATION SHOWN.



HIGH VOLTAGE

FOR HIGH VOLTAGE
CONNECT BROWN TERM 2 TO TERM 6.
CONNECT WHITE TERM 4 TO TERM 2.

TO REVERSE ROTATION EITHER
VOLTAGE INTERCHANGE RED
LEAD WITH BLACK LEAF

				TOLERANCES UNLESS SPECIFIED			DRAWN ML 01-28-1988					
				DEC.	INCHES		CHK	GK	01-05-1988			
4	REDRAWN IN AUTOCAD	TAT 08-02-2004	ML	.X	±.1	TITLE CONNECTION DIAGRAM 48 FR. – DUAL VOLTAGE REVERSIBLE MAT'L. FINISH	APPD DRN 03-15-1988					
3	REVISED LINE 2 LOCATION CN 6427	RM 01-28-1991		.XX	±.02		SCALE 1=1					
2	ADDED CUSTOMER CONNECTION NOTE CN 6011	BW 08-03-1989		.XXX	±.005		REF					
1	NEW DRAWING	ML 08-19-1988		.XXXX	±.0005		FMF					
NO.	REVISION	BY & DATE	CHK	ANG	±7'30"		PREV					
THIS DRAWING IN DESIGN AND DETAIL IS OUR PROPERTY AND MUST NOT BE USED EXCEPT IN CONNECTION WITH OUR WORK ALL RIGHTS OF DESIGN AND INVENTION ARE RESERVED THIS IS AN ELECTRONICALLY GENERATED DOCUMENT – DO NOT SCALE THIS PRINT				RFP	CAD FILE ee7196			SIZE	DRAWING NO.	PAGE	OF	REV.
				DIST	WP	A		EE7196				4