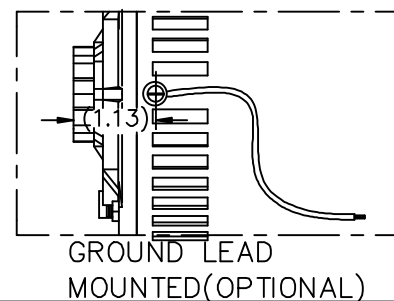
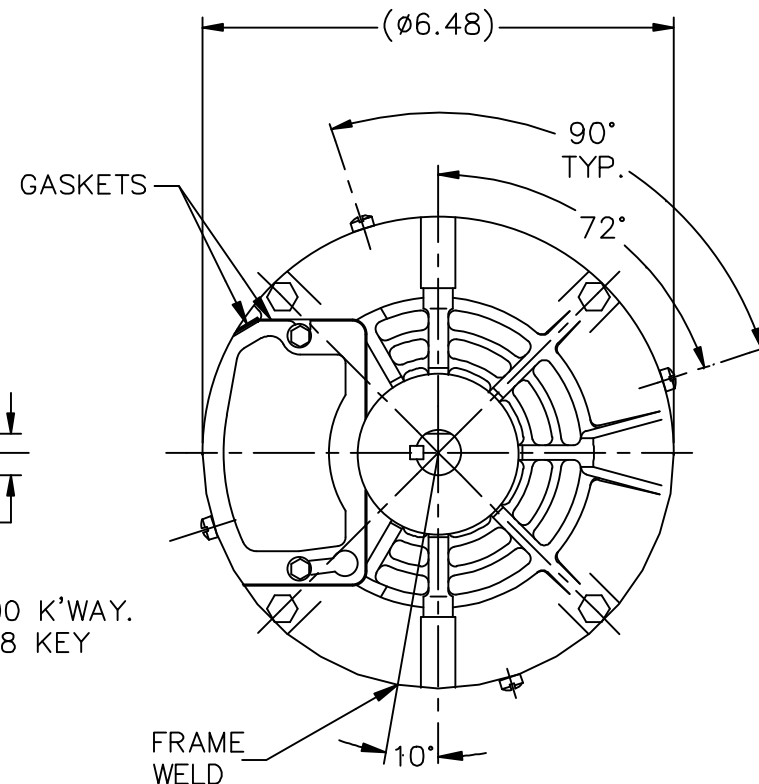
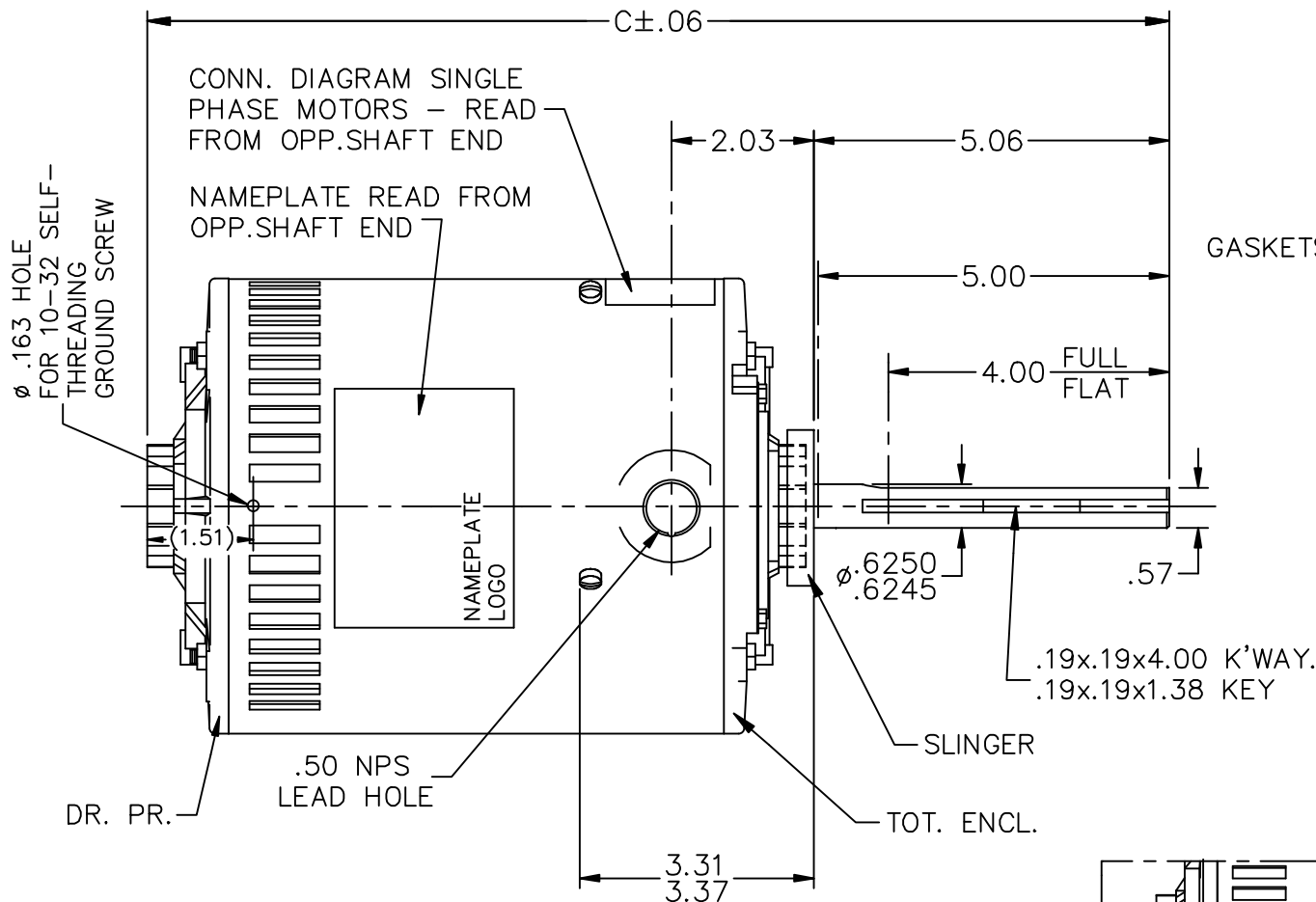


TERM. END



DASH	FRAME	C	DASH	FRAME	C
656	56-65	14.06	856	56-85	16.06
706	"-70	14.56	906	"-90	16.56
756	"-75	15.06	956	"-95	17.06
806	"-80	15.56			

NO.	REVISION	BY & DATE	CHK	TOLERANCES UNLESS SPECIFIED	
				ANG	INCHES
5	ADDED OPTIONAL VIEW FOR GRD LEAD	SVL 9-17-2012		DEC.	±.1
4	REDRAWN IN AUTOCAD	TAT 08-03-2004	ML	.X	±.1
3	CLARIFIED FRAME PLUG LOCATION CN 24300-165	MH 08-27-1997		.XX	±.03
2	CHANGED LOC. OF SCREW ON FRAME CN 21725-737	PGK 08-12-1996		.XXX	±.005
1	NEW DRAWING CN 10589A	GK 03-24-1989		.XXXX	±.0005
				ANG	±7'30"



TITLE OUTLINE

MAT'L.

FINISH

DRAWN	GK 03-24-1989
CHK	MB 03-27-1989
APPD	FG 03-27-1989
SCALE	3=8
REF	
FMF	
PREV	

THIS DRAWING IN DESIGN AND DETAIL IS OUR PROPERTY AND MUST NOT BE USED EXCEPT IN CONNECTION WITH OUR WORK ALL RIGHTS OF DESIGN AND INVENTION ARE RESERVED THIS IS AN ELECTRONICALLY GENERATED DOCUMENT - DO NOT SCALE THIS PRINT

RFP  
DIST WP

CAD FILE 100327

SIZE	DRAWING NO.	PAGE	OF	REV.
A	100327			5