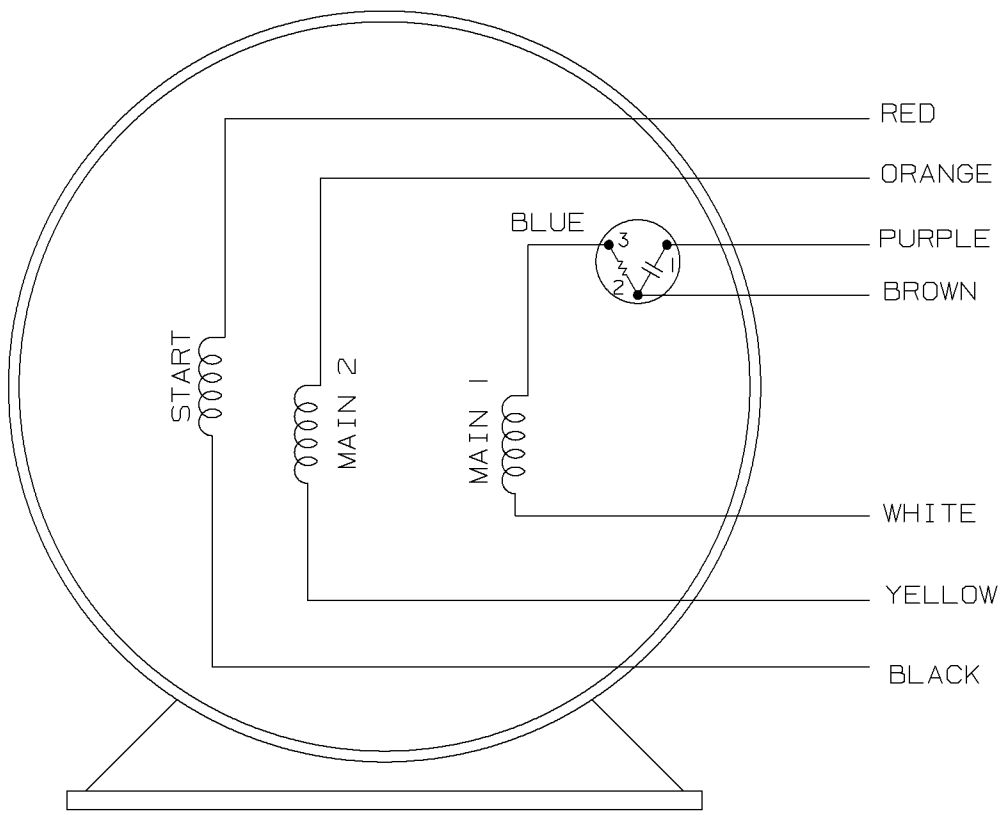
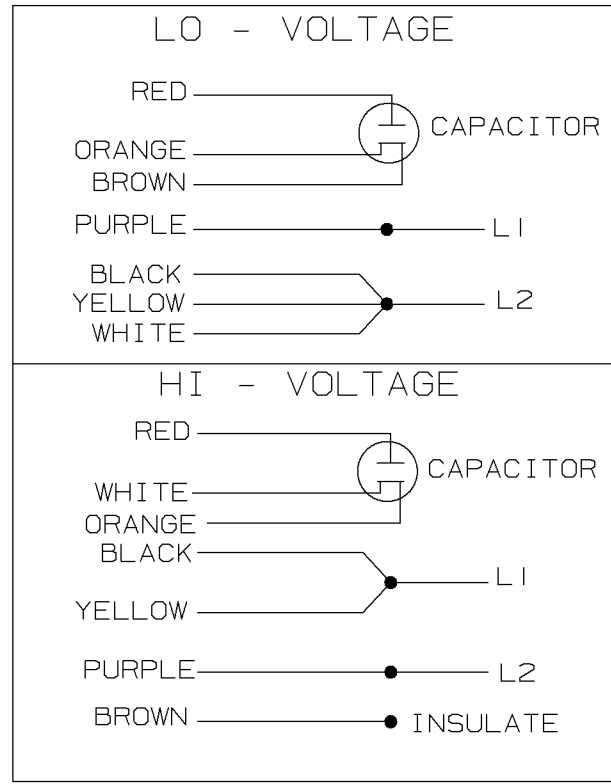


PSC - DUAL VOLTAGE  
REVERSIBLE  
CCW ROTATION SHOWN



VIEW OF TERMINAL END



FOR CW ROTATION  
EITHER VOLTAGE  
INTERCHANGE-BLACK & RED

			✓ MAX. SURFACE ROUGHNESS UNLESS NOTED OTHERWISE	UNLESS OTHERWISE SPECIFIED DIMENSIONS ARE IN INCHES TOL. ON XX±    XXX± .005    XXXX± .0005    ANGLES±		
			MATL SPEC	DRAWN BY PGK		09-17-96
			FINISH	CHKD BY ML		09-24-96
2	09-24-96	REDRAWN ON CADD	PGK	APPD BY GK		09-24-96
REV	DATE	CHANGE	NAME	PART NAME CONNECTION DIAGRAM		DRWG NO A- 102009-4