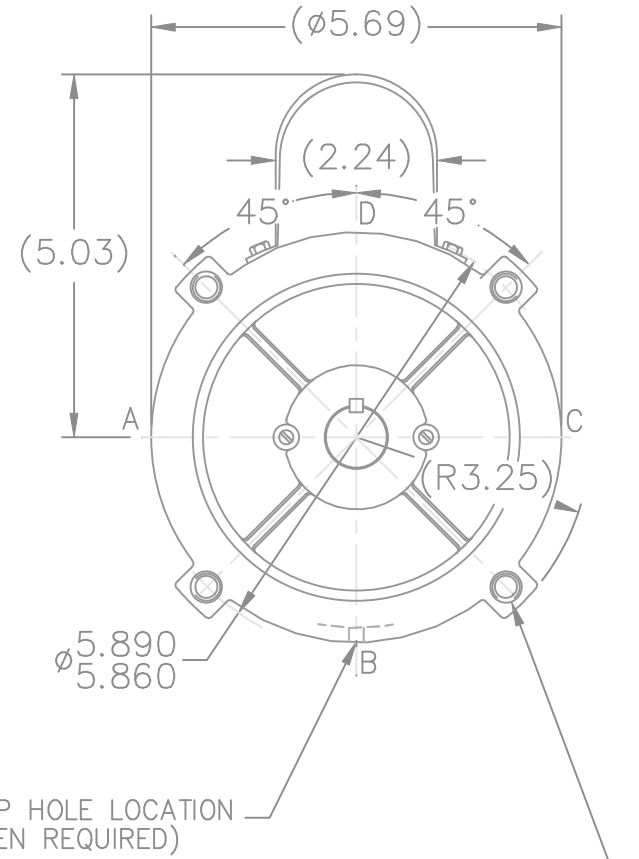


'W' = CLEARANCE ALLOWED FOR ALL VARIANCES IN MANUFACTURING & ASSEMBLY



DASH	FR	C	AG		DASH	FR	C	AG	
625	48	10.19	8.12		725	48	11.19	9.13	
675	48	10.69	8.63		775	48	11.69	9.63	
700	48	10.94	8.88		800	48	11.94	9.88	

				TOLERANCES UNLESS SPECIFIED		MARATHON ELECTRIC	DRAWN RM 10/9/1992			
				DEC.	INCHES		CHK	MOL	10/12/1992	
4	UPDATED DRAWING			TJW	05/07/2007	.X	±.1			
3	REV'D WEEP HOLE NOTE CN20750-24			CB	5/18/1995	.XX	±.03			
2	ADDED NEW FRONT BRACKET CN20124			RJM	4/4/1995	.XXX	±.005			
1	NEW DRAWING 3958931			RM	10/15/1992	.XXXX	±.0005			
NO.	REVISION			BY & DATE		CHK	ANG	±'30"		
THIS DRAWING IN DESIGN AND DETAIL IS OUR PROPERTY AND MUST NOT BE USED EXCEPT IN CONNECTION WITH OUR WORK ALL RIGHTS OF DESIGN AND INVENTION ARE RESERVED THIS IS AN ELECTRONICALLY GENERATED DOCUMENT - DO NOT SCALE THIS PRINT				RFP		CAD FILE SS75607		SIZE	DRAWING NO. PAGE 1 OF 1	REV.
				DIST	WP			A	SS75607	4