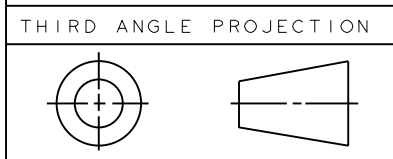
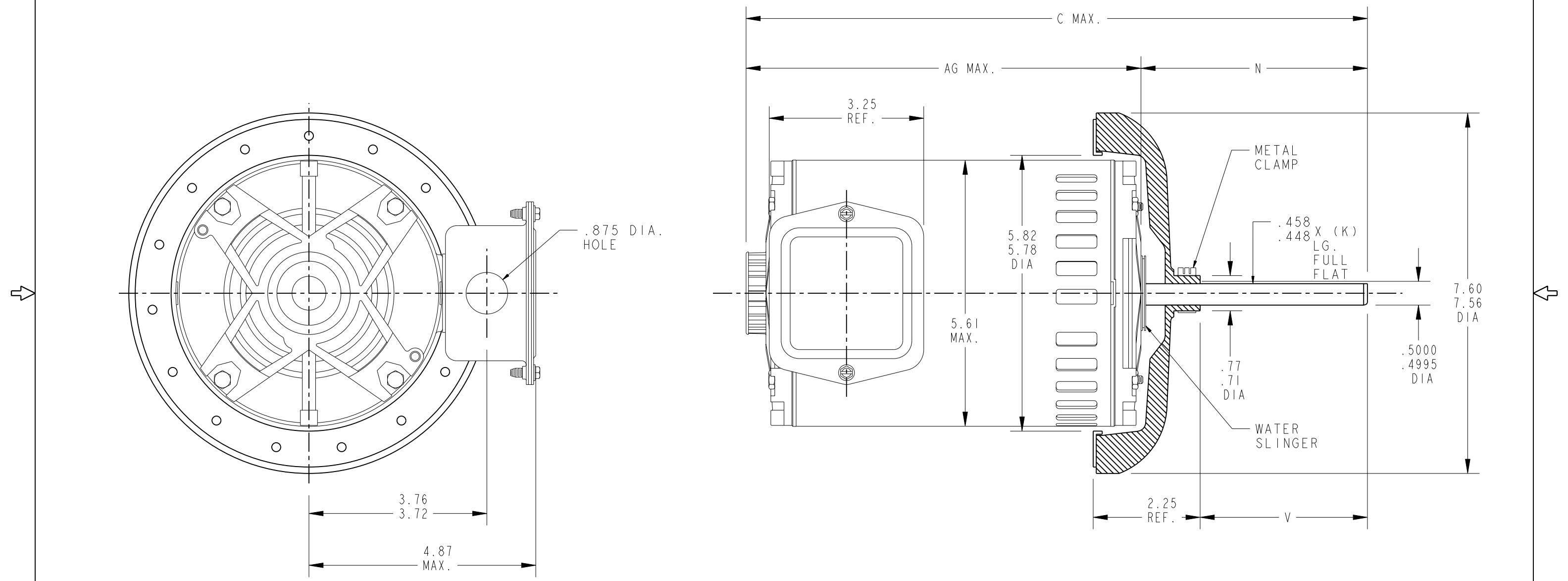


REVISIONS			
REV.	DESCRIPTION	DATE	APPROVED
1	UPDATED PER ISO4-2790	11/30/04	DEBRAJ
2	CHG TO RBC FORMAT PER ISO5-1777	05/16/06	ARCHANA



I	KCP	39	48Z	14.19	3.96	3.99 3.93	10.23	2.74 2.70
P	TYPE	GE SIZE	NEMA FR	C	K	N	AG	V

FOR ADDITIONAL INFO REFER TO:
 APPLIED PRACTICES
 DIMENSIONS ARE IN INCHES
 MATERIAL

SIGNATURES	DATE
MODEL DURGA	06/02/04
DETAIL	.
CHECKED	.
ENGRG	.
MFG	.
QUALITY	.
ISSUED DURGA	06/02/04
SOLID MODEL: 52B210997	

	REGAL-BELOIT CORPORATION	
	TITLE	
OUTLINE FORM N - SPECIAL PURPOSE MOTOR - OPEN - BALL BEARING		
SIZE	DRAWING	REV
B	52B210997	2
SCALE: 0.500		REF. No: .
		SHEET 1 of 1