

SHEET
REV
52A111673 1

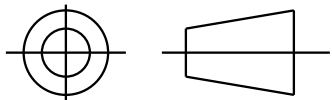
RBC PROPRIETARY AND CONFIDENTIAL INFORMATION

This document is the property of REGAL BELOIT Corporation ("RBC") including its subsidiaries and divisions and contains proprietary information of RBC. This document is loaned on the express condition that neither it nor the information contained therein shall be disclosed to others without the express written consent of RBC, and that the information shall be used by the recipient only as approved expressly by RBC. This document shall be returned to RBC upon its request. This document may be subject to certain restrictions under U.S. export control laws and regulations.

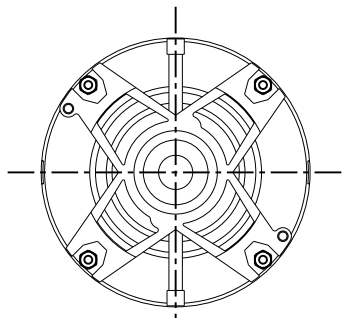
REVISIONS

REV.	DESCRIPTION	DATE	APPROVED
1	RBC FORMAT - NO CHGS	08/11/05	PRAVEEN.K

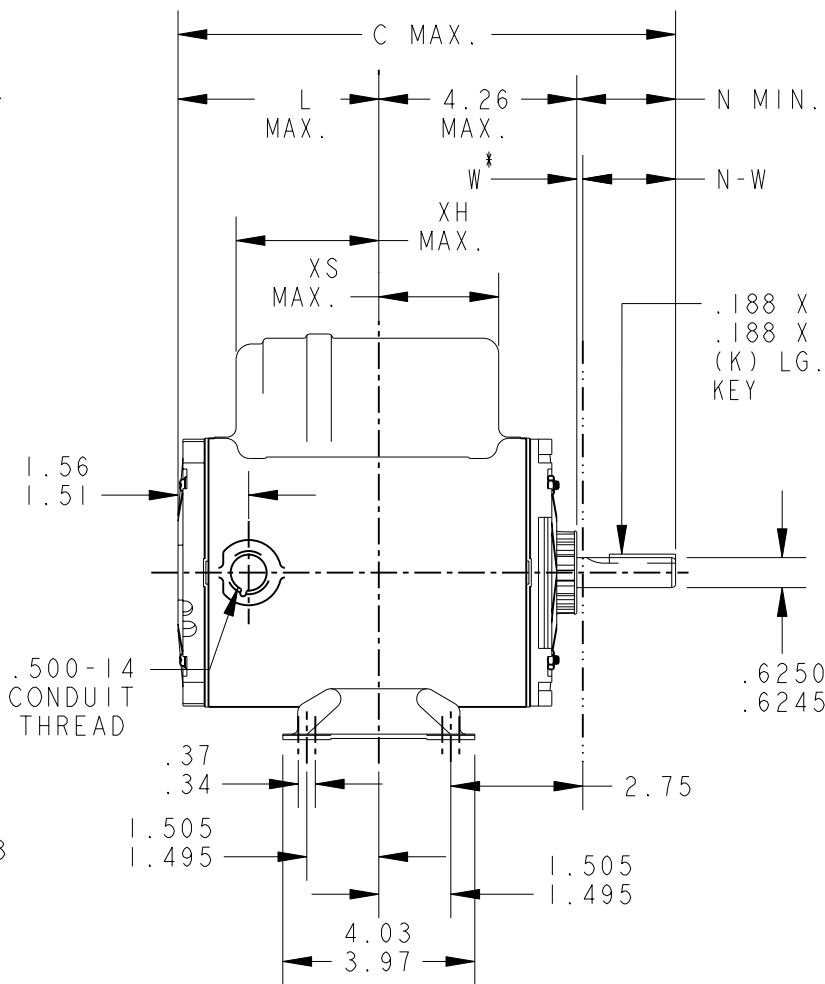
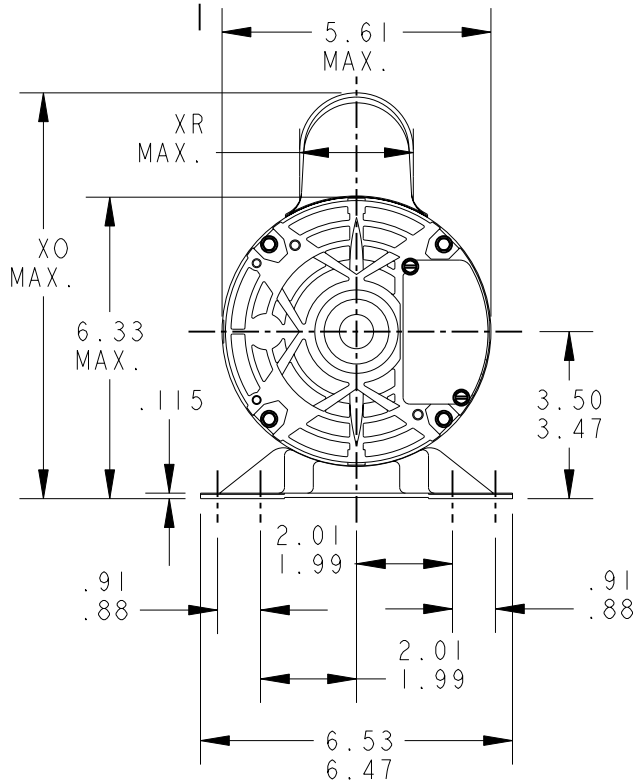
THIRD ANGLE PROJECTION



W* IS A CLEARANCE DUE TO VARIATION IN PARTS AND ASSEMBLY.



VIEW SHOWING P.E. VENTILATION OPENINGS



--	--	--	--	--	--	--	--	--	--	--	--	--	--

I	KC	38	56	11.04	1.38	4.90	1.88	2.01/1.79	3.59	2.10	8.23	1.90
P	TYPE	GE SIZE	NEMA FR	C	K	L	N	N-W	XH	XS	XO	XR

FOR ADDITIONAL INFO REFER TO:	SIGNATURES	DATE
APPLIED PRACTICES	MODEL DEBRAJ	07/28/05
DIMENSIONS ARE IN INCHES	DETAIL DEBRAJ	07/28/05
TOLERANCE ON:	CHECKED . . .	
1 PL DECIMALS ± 0.1	ENGRG . . .	
2 PL DECIMALS ± 0.02	MFG . . .	
3 PL DECIMALS ± 0.005	QUALITY . . .	
ANGLES ± 1.0	ISSUED DEBRAJ	07/28/05
FRACTIONS ±		
FINISH ✓		
MATERIAL	SOLID MODEL: 52A111673	

REGAL-BELOIT CORPORATION

TITLE **OUTLINE**

FORM N - GENERAL PURPOSE MOTOR - DRIP PROOF

WELDED BASE - BALL OR SLEEVE BEARING

SIZE	DRAWING	REV
A	52A111673	1

SCALE: 1.000 REF. No: . SHEET 1 of 1

