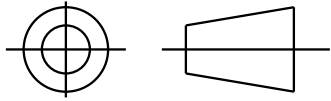


THIRD ANGLE PROJECTION

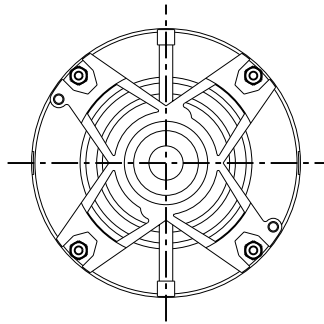


REVISIONS

REV.	DESCRIPTION	DATE	APPROVED
1	CHG TO RBC FORMAT PER ISO5-1777	04/03/06	SUDHA

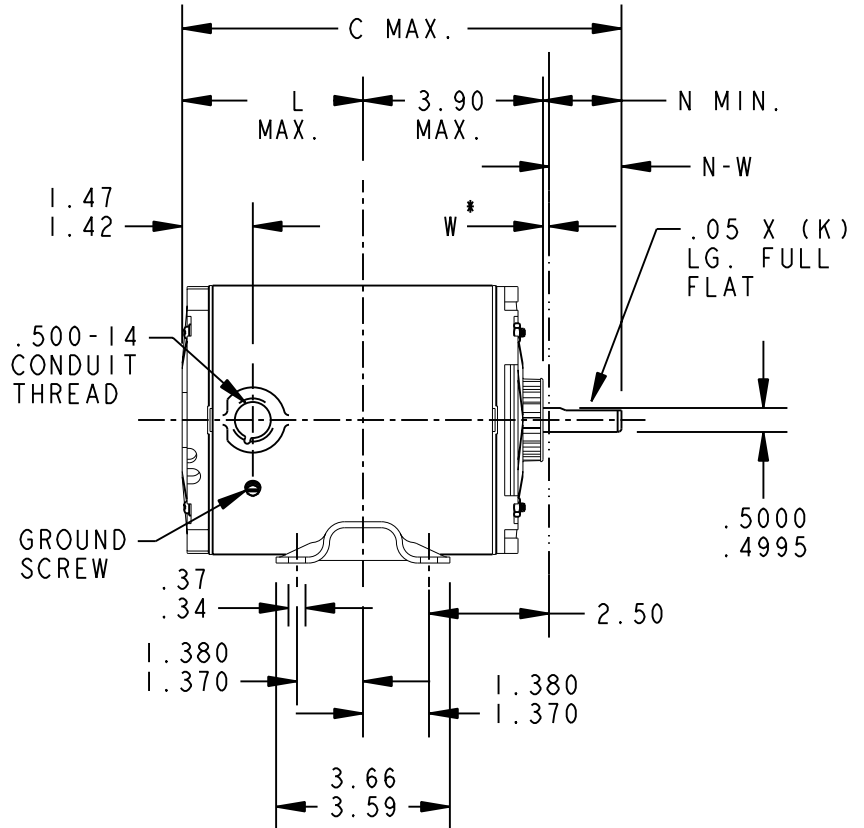
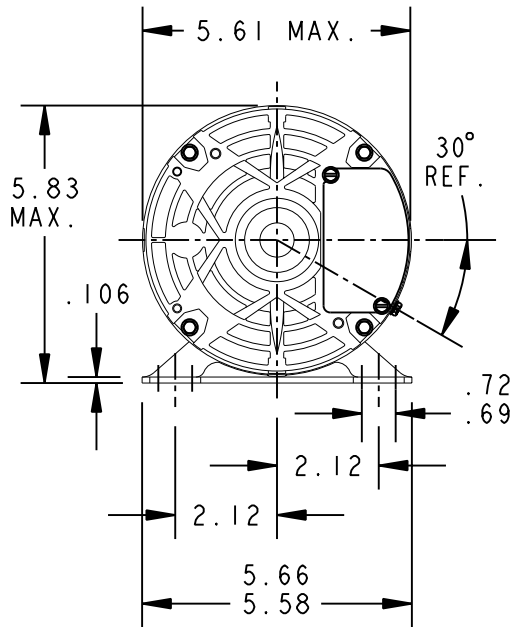
52A109855

SIZE DRAWING NO. A




VIEW SHOWING P.E. VENTILATION OPENINGS

W\* IS A CLEARANCE DUE TO VARIATION IN PARTS AND ASSEMBLY.



I	K	36	48	9.68	1.16	4.22	1.50	1.63/1.41	6.22
P	TYPE	GE SIZE	NEMA FR	C	K	L	N	N-W	SHELL REF.

	SIGNATURES		DATE
	MODEL	M.D.PAPE	07/24/96
DETAIL	.	.	
CHECKED	.	.	
ENGRG	.	.	
MFG	.	.	
FOR ADDITIONAL INFO REFER TO:	QUALITY	.	.
APPLIED PRACTICES	ISSUED	M.D.PAPE	07/24/96
DIMENSIONS ARE IN INCHES ✓	SOLID MODEL: 52A109855		



**REGAL-BELOIT CORPORATION**

TITLE: **OUTLINE**

**FORM N - GENERAL PURPOSE MOTOR - DRIP PROOF - WELDED BASE - BALL OR SLEEVE BEARING**

SCALE: 0.250 REF. No: . SHEET 1 of 1