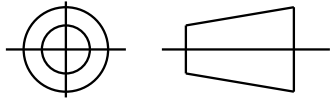


THIRD ANGLE PROJECTION

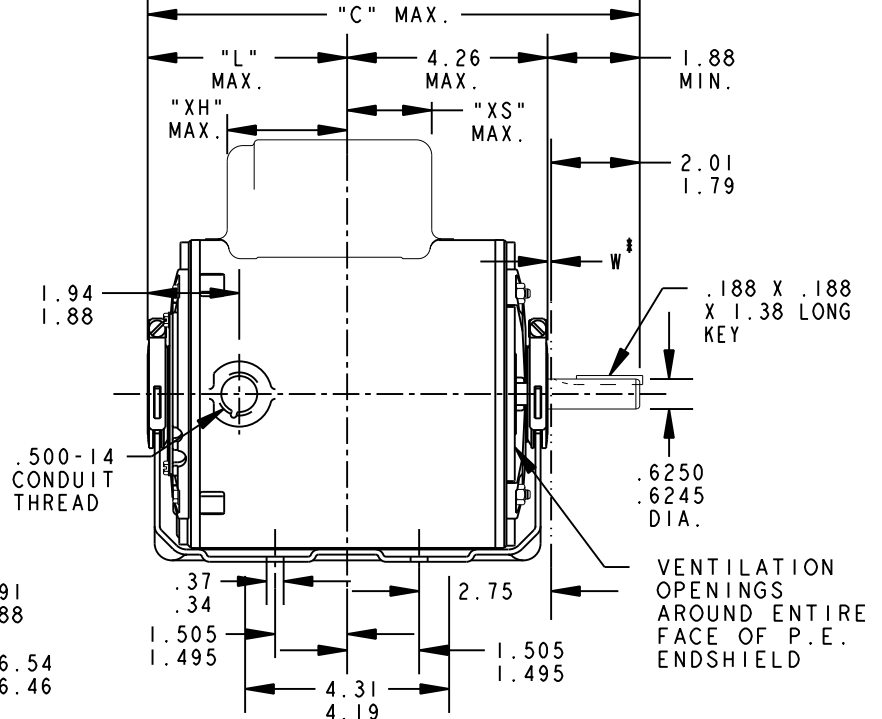
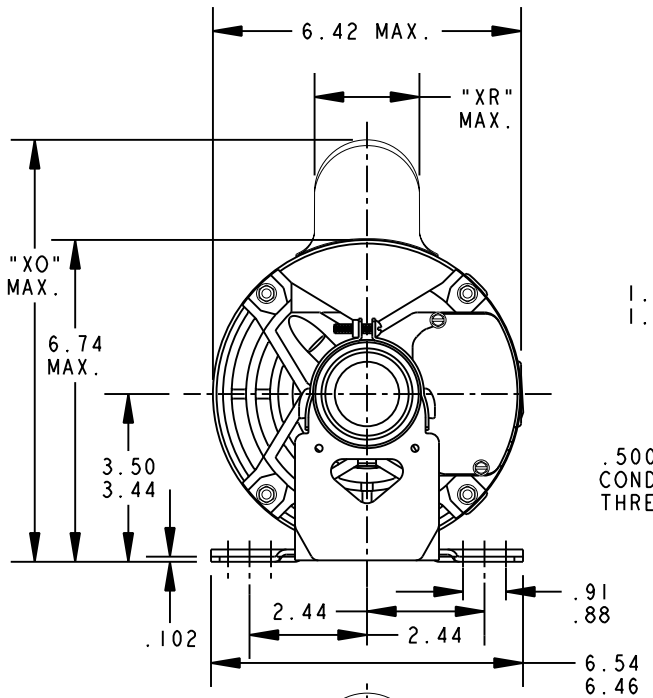
REVISIONS



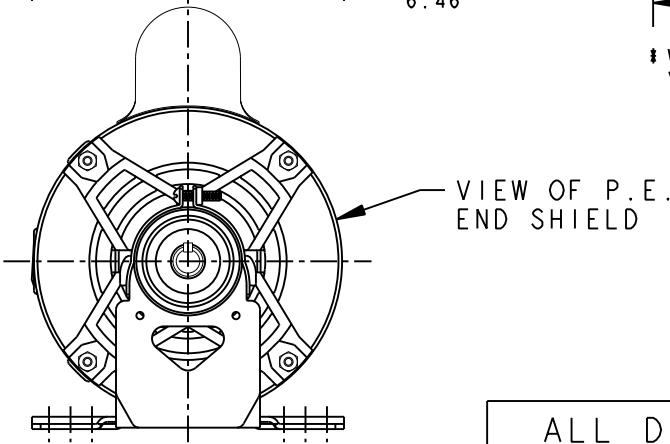
REV.	DESCRIPTION	DATE	APPROVED
5	"XH" & "XS" CHGD PER IS09-3639	09/11/09	AMITRUP

52A107771 5

SIZE DRAWING NO. A




\* W IS A VARIABLE CLEARANCE DUE TO VARIATIONS IN PARTS AND ASSEMBLY



ALL DIMENSIONS ARE IN INCHES

I	KC	49	56	10.38	4.22	2.80	8.94	2.40	2.91		6.15
P	TYPE	GE SIZE	NEMA FR.	"C"	"L"	"XH"	"XO"	"XR"	"XS"		MIN. SHELL

SIGNATURES		DATE
MODEL	M. D. PAPE	01/03/92
DETAIL	.	.
CHECKED	.	.
ENGRG	.	.
MFG	.	.
FOR ADDITIONAL INFO REFER TO:	QUALITY	.
APPLIED PRACTICES	ISSUED	M. D. PAPE 01/03/92
DIMENSIONS ARE IN INCHES ✓	SOLID MODEL: 52A107771	



**REGAL-BELOIT CORPORATION**

TITLE **OUTLINE**

**GENERAL PURPOSE MOTOR DRIP PROOF - BALL BEARING - RESILIENT BASE FMF - :FMF - 5KC49GN0001A & 1AX**

SIZE DRAWING **A**

SCALE: 0.250 REF. No: . SHEET 1 of 1

**52A107771 5**