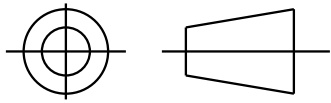


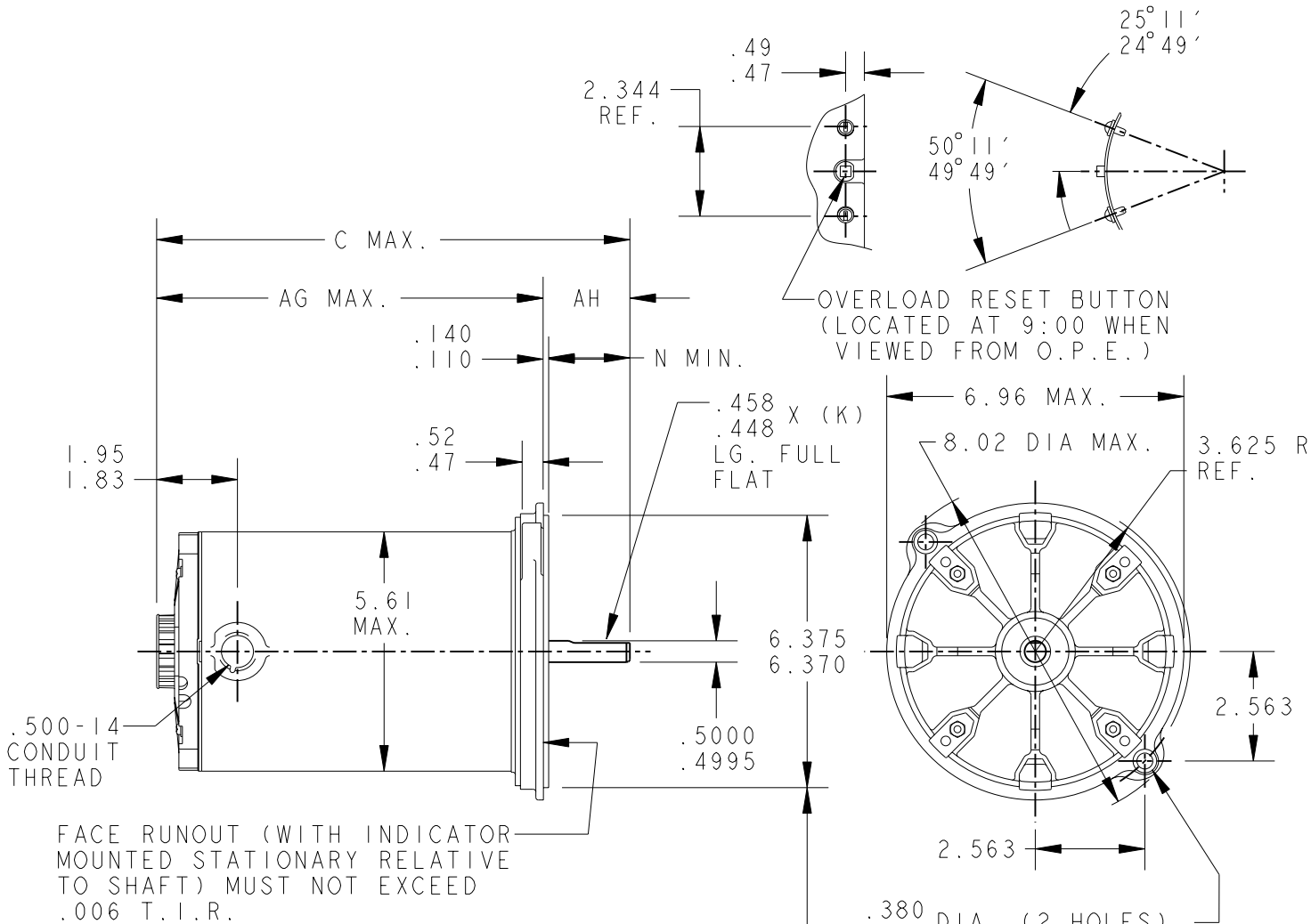
SHEET 1  
REV 10  
52A106920  
SIZE DRAWING NO. A

THIRD ANGLE PROJECTION



REVISIONS

REV.	DESCRIPTION	DATE	APPROVED
7	UPDATED PE END SHIELD PER T198-23554	06/05/98	M.D.PAPE
8	CHANGES PER T198-24008A	08/18/98	M.D.PAPE
9	.49/.47 WAS .45/.43 T198-24.130.	10/08/98	M.D.PAPE
10	CHG. MADE AS PER IS05-2714	10/26/05	GOVARDAN



2	KH	36	48N	10.07	8.05	2.09/1.97	1.84	1.31
1	KH	38	48N	11.07	9.05	2.09/1.97	1.84	1.31
P	TYPE	GE SIZE	NEMA FR	C	AG	AH	N	K

SIGNATURES		DATE	<p><b>REGAL-BELOIT CORPORATION</b></p>
MODEL	M.A.M	02/27/89	
DETAIL	.	.	
CHECKED	.	.	
ENGRG	.	.	
TITLE			<p><b>OUTLINE</b></p> <p><b>FORM N - SPECIAL PURPOSE MOTOR - TWO LUG</b></p> <p><b>FLANGE MOUNTED - SLEEVE OR BALL BEARING</b></p>
FOR ADDITIONAL INFO REFER TO:	QUALITY	ISSUED	
APPLIED PRACTICES	ISSUED	C.C.P 03/04/95	
DIMENSIONS ARE IN INCHES ✓	ISSUED	C.C.P 03/04/95	SIZE DRAWING
MATERIAL	SOLID MODEL: 52A106920	SCALE: 1.000	REF. No: .
			<p><b>52A106920</b></p> <p>REV <b>10</b></p> <p>SHEET 1 of 1</p>