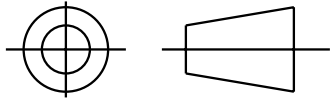


SHEET 1
 REV 2
 52A106888
 SIZE DRAWING NO. A

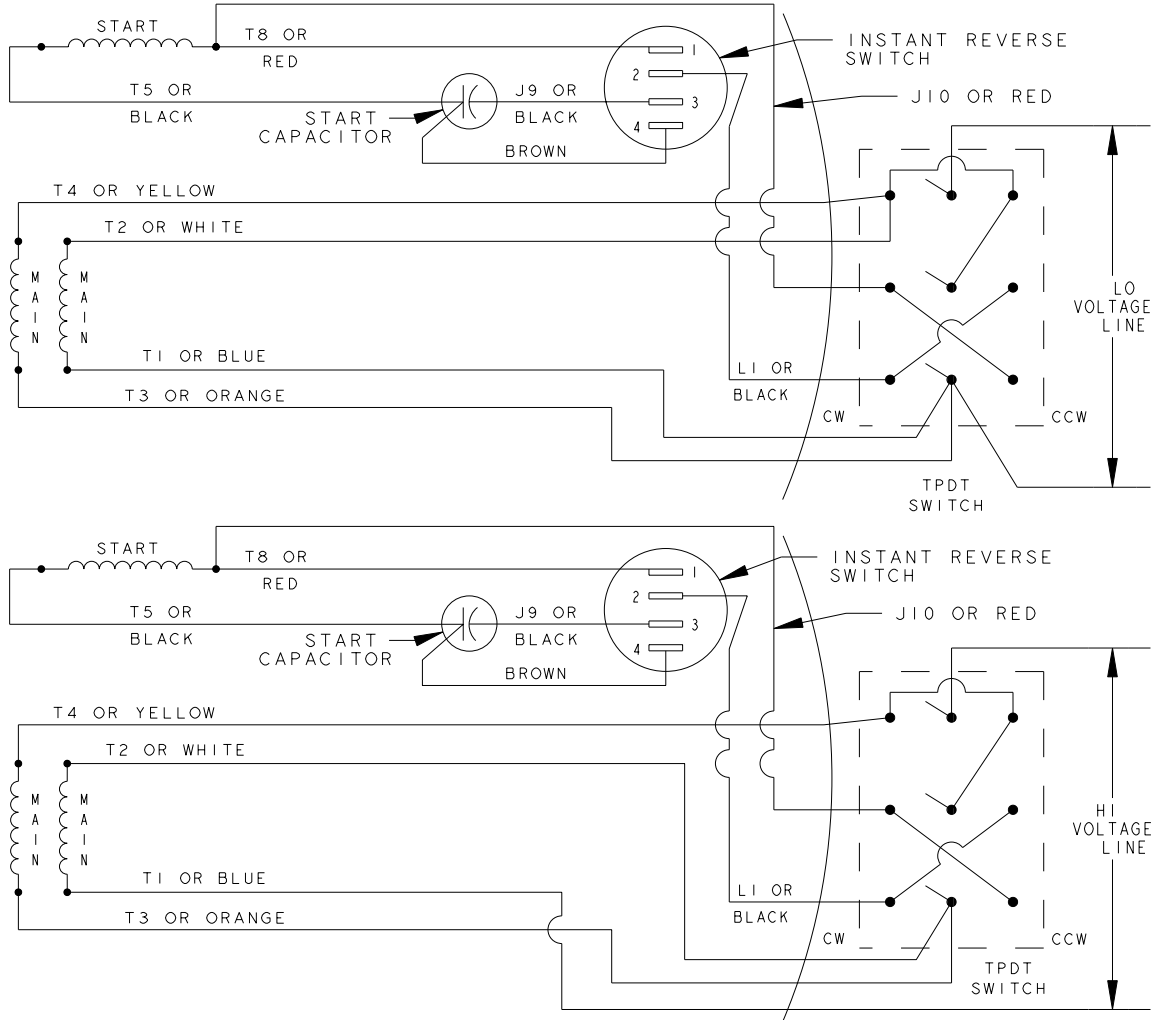
THIRD ANGLE PROJECTION



REVISIONS

REV.	DESCRIPTION	DATE	APPROVED
2	UPDATED TO RBC FORMAT	01/11/06	MAM

INSTANTLY REVERSIBLE STERNS IR SWITCH
DUAL VOLTAGE - TYPE KC




- NOTE#1 - WHEN MORE THAN ONE CAPACITOR IS USED, CONNECT IN PARALLEL.
- NOTE#2 - DO NOT APPLY HI-POT VOLTAGE FROM LEAD TO LEAD. TIE ALL LEADS TOGETHER AND HI-POT TO GROUND. IF HI-POT LEAD TO LEAD IS PERFORMED, DISCONNECT SWITCH PRIOR TO HI-POT OPERATION. FAILURE TO DO THIS COULD RESULT IN ELECTRONIC COMPONENT IN S.S. SWITCH.

REF. DIAG. - NONE

CONNECTION LABEL - 52X333067

SIGNATURES		DATE
MODEL	M.D.P.	06/17/92
DETAIL	.	.
CHECKED	.	.
ENGRG	.	.
MFG	.	.
QUALITY	.	.
ISSUED	M.D.P.	06/17/92
SOLID MODEL: 52A106888		



REGAL-BELOIT CORPORATION

TITLE
CONNECTION DIAGRAM

FMF: 5KC35HNA323

SIZE: A DRAWING: **52A106888** REV: **2**

SCALE: 1.000 REF. No: SHEET 1 of 1

FOR ADDITIONAL INFO REFER TO:
 APPLIED PRACTICES
 DIMENSIONS ARE IN INCHES ✓