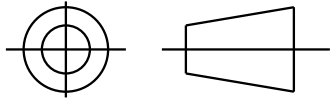


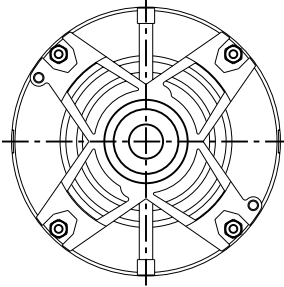
SHEET 1
REV 7
52A106661

THIRD ANGLE PROJECTION

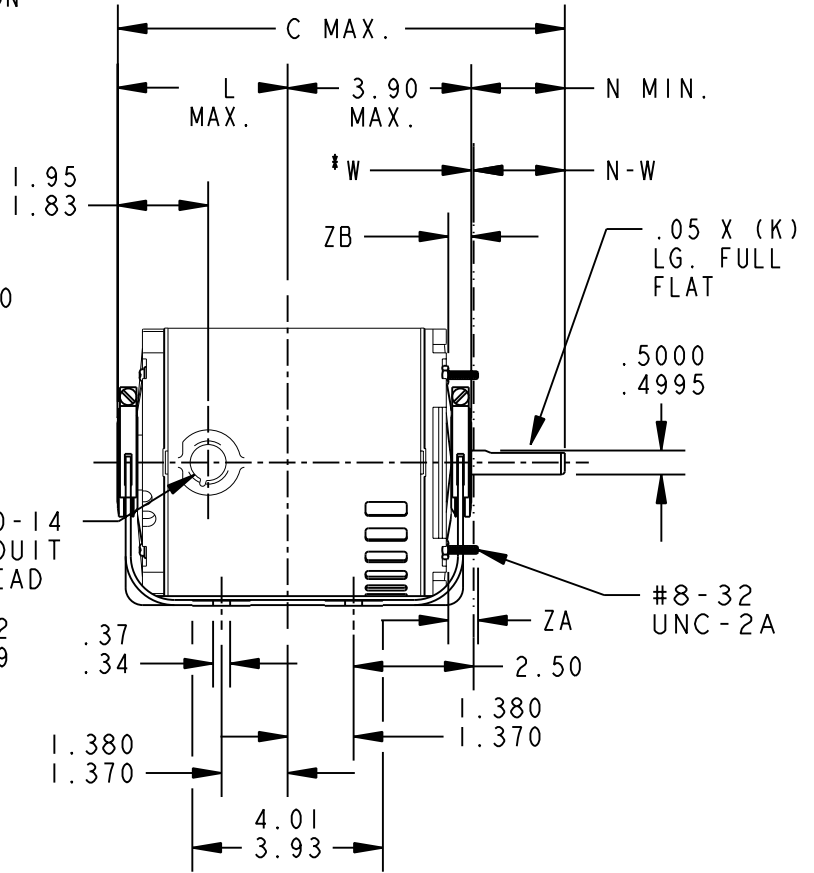
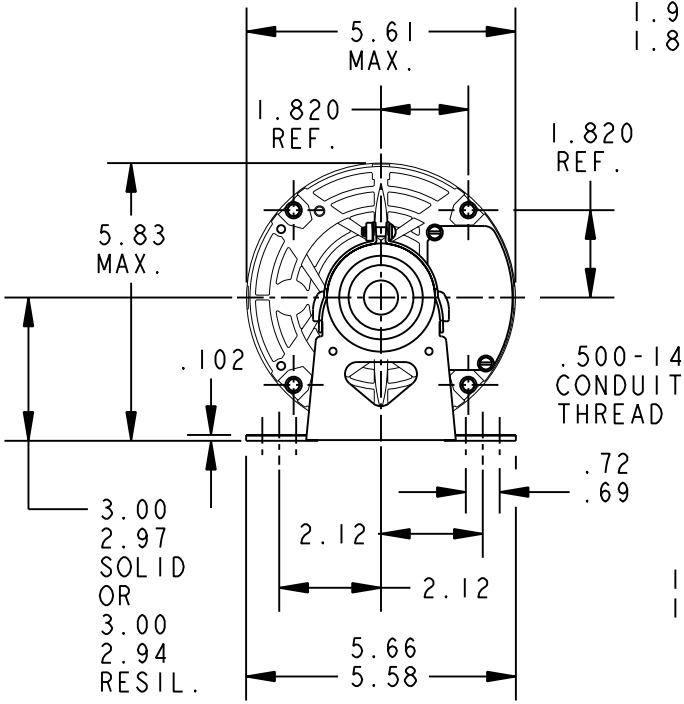


REVISIONS

REV.	DESCRIPTION	DATE	APPROVED
5	ADDED PT#5, UPDATED SHELL VENTS	01/14/94	M.D.PAPE
6	ADDED PART #6.	11/09/95	M.D.PAPE
7	CHG TO RBC FORMAT PER ISO5-1777	02/13/06	SUDHA




VIEW SHOWING P.E. VENTILATION OPENINGS



6	KH	35	48	9.56	1.16	4.22	1.50	1.63/1.41	.55/.52	.50
5	KH	33	48Z	9.93	1.91	3.84	2.25	2.38/2.16	.55/.52	.90
4	KH	32	48	8.93	1.16	3.59	1.50	1.63/1.41	.55/.52	.62
3	KH	36	48	9.99	1.16	4.65	1.50	1.63/1.41	.55/.52	.50
2	KH	32	48Z	9.94	1.91	3.59	2.25	2.38/2.16	.55/.52	.62
1	KH	32	48Z	9.32	1.54	3.59	1.88	2.01/1.79	.55/.52	.62
P	TYPE	GE SIZE	NEMA FR	C	K	L	N	N-W	ZB	ZA

W# IS A CLEARANCE DUE TO VARIATION IN PARTS AND ASSEMBLY.

FOR ADDITIONAL INFO REFER TO: APPLIED PRACTICES DIMENSIONS ARE IN INCHES ✓ MATERIAL	SIGNATURES		DATE	 <p>REGAL-BELOIT CORPORATION</p> <p>TITLE OUTLINE</p> <p>FORM N - GENERAL PURPOSE MOTOR - DRIP PROOF - SOLID OR RESIL. BASE - BALL OR SLEEVE BEARING</p>
	MODEL D.A.BAESKE		07/05/88	
	DETAIL		.	
	CHECKED		.	
	ENGRG		.	
MFG		.		
QUALITY		.		
ISSUED B.L.J.		06/04/92		
SOLID MODEL: 52A106661				
SCALE: 0.250		REF. No: .		

52A106661 REV 7

SHEET 1 of 1