

SHEET 1

REV 5

SIZE DRAWING NO. 52A103173

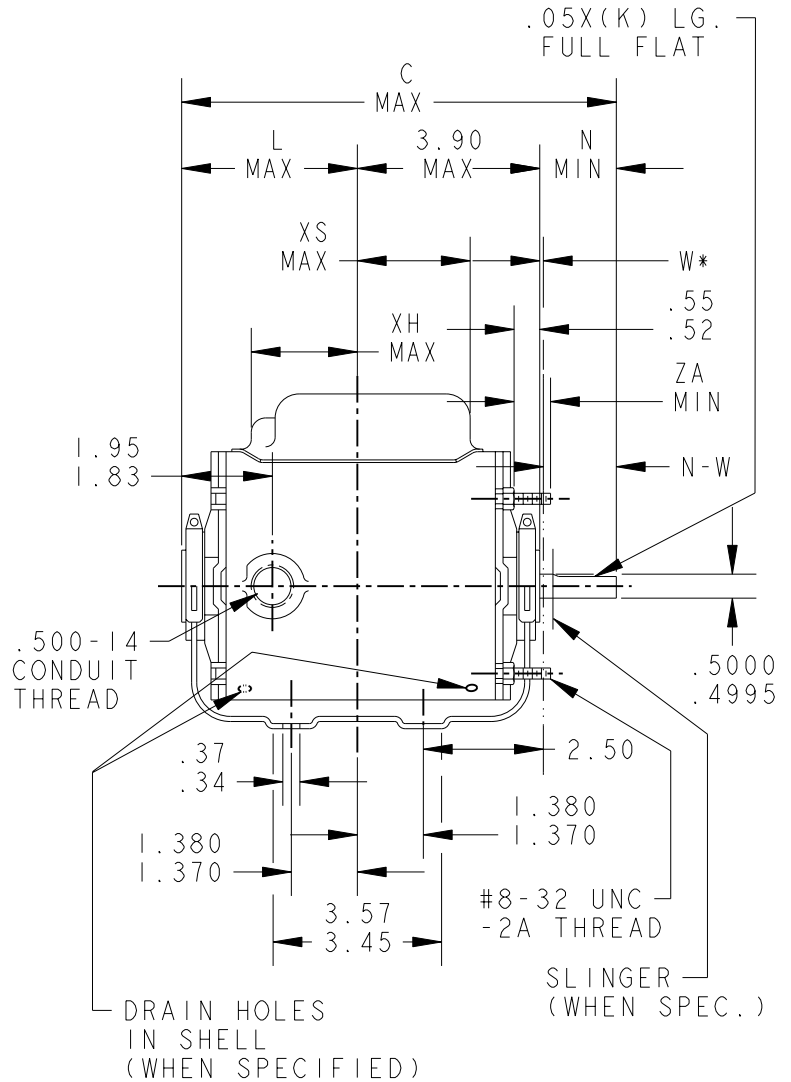
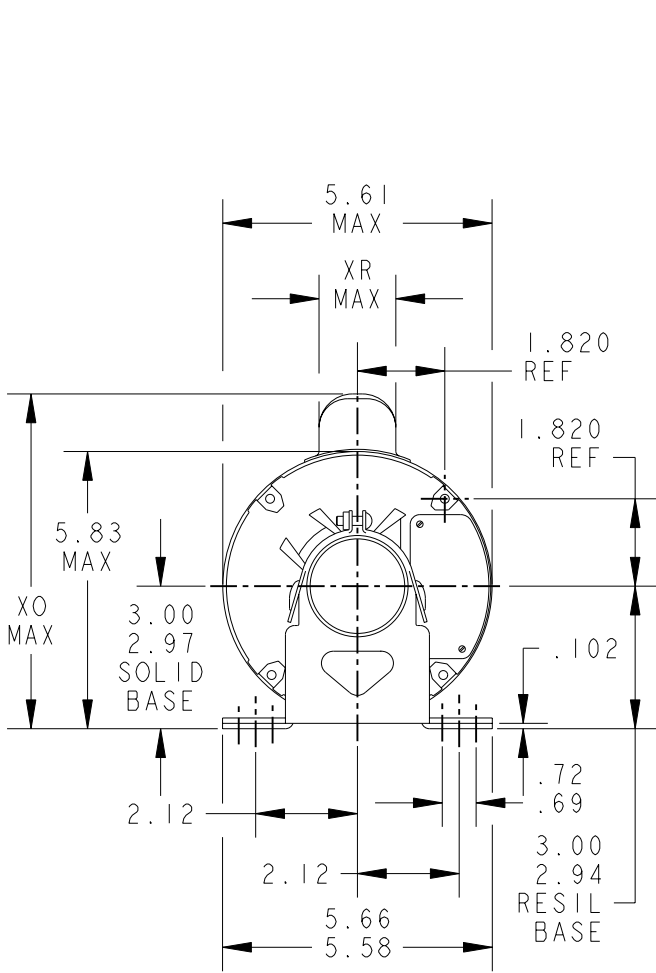
A

THIRD ANGLE PROJECTION



REVISIONS


REV.	DESCRIPTION	DATE	APPROVED
4	REDRAWN NO CHNAGE T196-22390	07/11/96	M.D.P.
5	CHG TO RBC FORMAT AS PER IS05-1777	01/12/06	GOVARDAN



*W IS A CLEARANCE DUE TO VARIATION IN PARTS & ASSEMBLY.

3	KCP	37	48	11.40	2.16	5.05	2.50	2.63/2.41	3.82	7.74	2.10	1.95	.50
2	KHC	37	48	10.40	1.16	5.05	1.50	1.63/1.41	3.42	7.93	2.22	2.35	.62
1	KHC	37	48	10.40	1.16	5.05	1.50	1.63/1.41	3.42	7.74	2.10	2.35	.62
PT	TYPE	GE SIZE	NEMA FR	C	K	L	N	N-W	XH	XO	XR	XS	ZA

SIGNATURES		DATE
MODEL	D.E.D	03/30/79
DETAIL	.	.
CHECKED	.	.
ENGRG	.	.
MFG	.	.
FOR ADDITIONAL INFO REFER TO:	QUALITY	.
APPLIED PRACTICES	ISSUED	M.D.P 07/11/96
DIMENSIONS ARE IN INCHES ✓	SOLID MODEL: 52A103173	



REGAL-BELOIT CORPORATION

TITLE

OUTLINE

FORM N - GENERAL PURPOSE MOTOR - TENV - SOLID OR RESIL BASE - BALL OR SLEEVE BEARING , FMF - 5KHC37MN11S

SIZE DRAWING: **A**

SCALE: 0.250 REF. No: . SHEET 1 of 1

52A103173 REV **5**