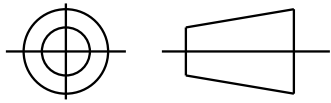


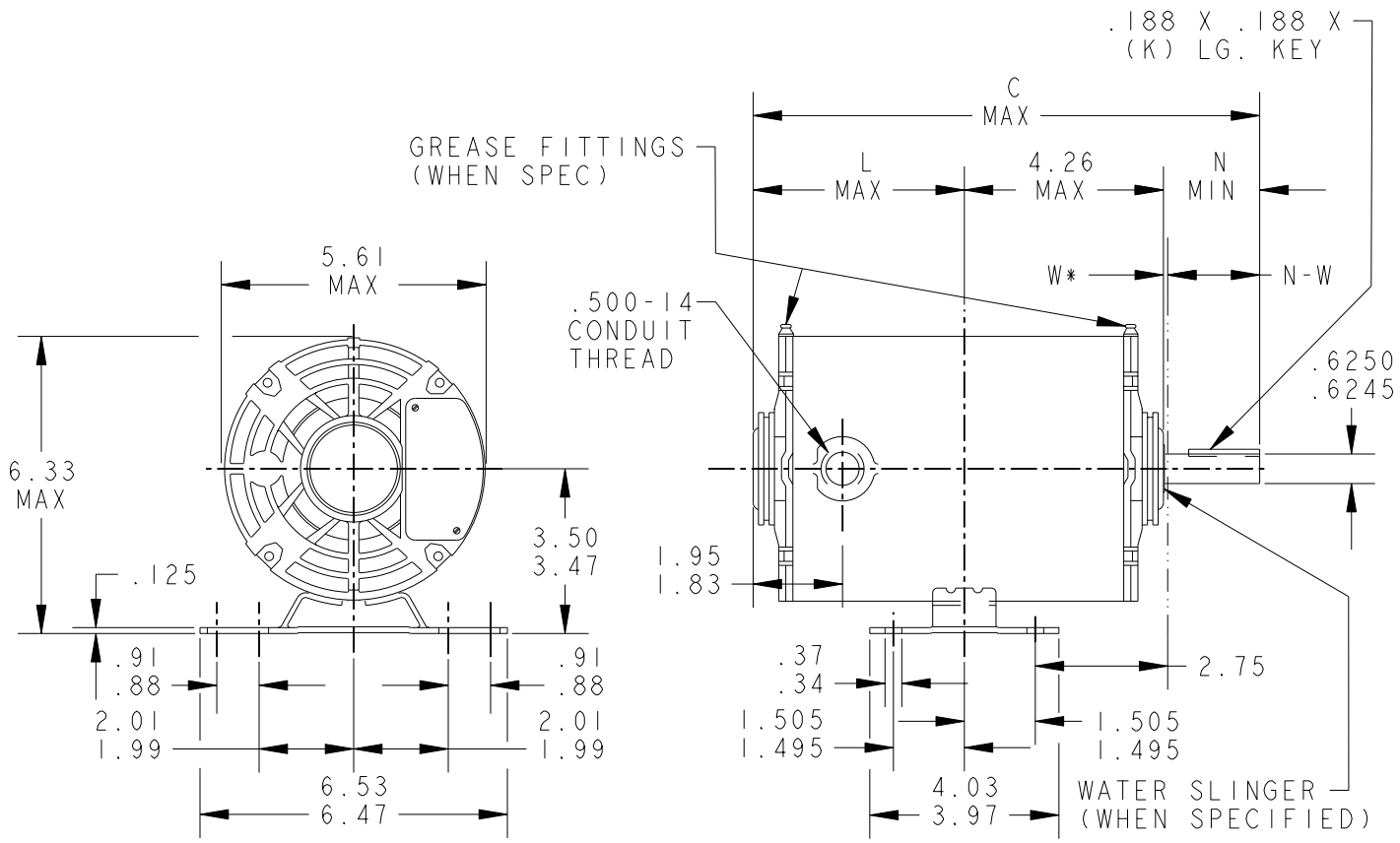
SHEET 11
REV 11
52A101998

THIRD ANGLE PROJECTION



REVISIONS

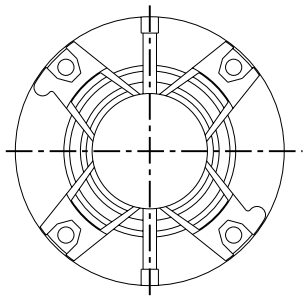
REV.	DESCRIPTION	DATE	APPROVED
10	REDRAWN NO CHANGE T196-22390	07/25/96	MDP
11	CHG TO RBC FORMAT PER ISO5-1777	12/22/05	DURGA



*W IS A CLEARANCE DUE TO VARIATION IN PARTS & ASSEMBLY.

7	K	33	56	9.51	1.38	3.42	1.88	2.01/1.79
6	KH	32	56	9.26	1.38	3.17	1.88	2.01/1.79
5	K	33	56Z	10.63	1.38	3.42	3.00	3.13/2.91
4	KH	35	36	11.51	1.25	3.80	3.50	3.63/3.41
3	K	36	56	10.32	1.25	4.23	1.88	2.01/1.79
2	KH	36	56	10.32	1.38	4.23	1.88	2.01/1.79
1	KH	35	56	9.89	1.38	3.80	1.88	2.01/1.79
PT	TYPE	GE SIZE	NEMA FR	C	K	L	N	N-W

VIEW SHOWING PE VENTILATION OPENINGS



SIGNATURES		DATE		<p>REGAL-BELOIT CORPORATION</p>
MODEL		.		
DETAIL		JPK	08/24/76	
CHECKED		.		
ENGRG		.		
MFG		.		<p>TITLE</p> <p>OUTLINE</p> <p>FORM N-GENERAL PURPOSE MOTOR-DRIP PROOF- WELDED BASE-BALL OR SLEEVE BEARING</p>
FOR ADDITIONAL INFO REFER TO:		.		
APPLIED PRACTICES		.		
DIMENSIONS ARE IN INCHES ✓		ISSUED MDP 07/25/96		<p>SIZE DRAWING</p> <p>A</p>
MATERIAL		SOLID MODEL: 52A101998		<p>SCALE: 1.000</p> <p>REF. No: .</p>
				<p>52A101998</p>
				<p>REV 11</p>
				<p>SHEET 1 of 1</p>