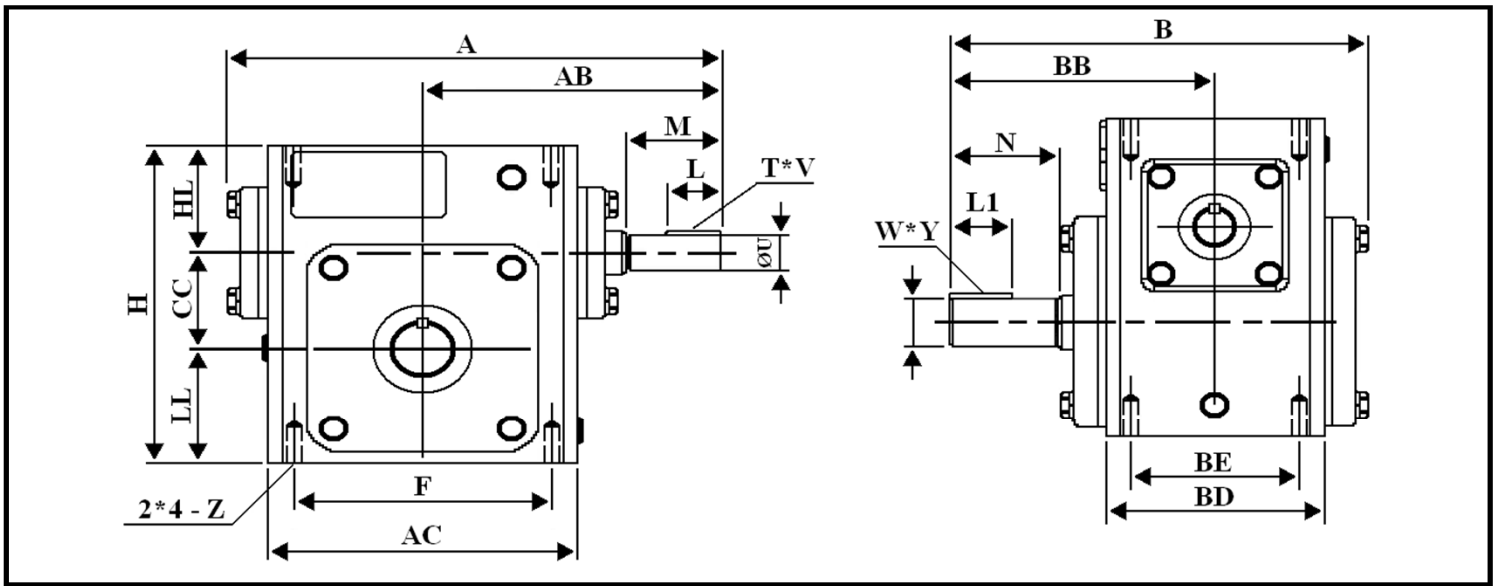
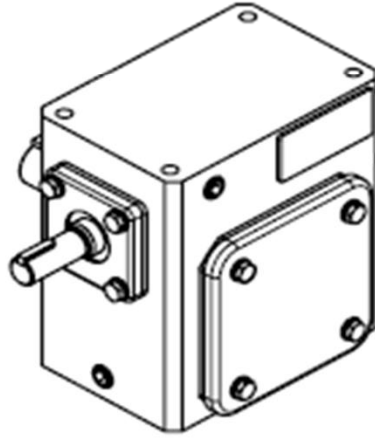


**WORLDWIDE ELECTRIC CORPORATION**  
**HdR SERIES PROGRAM - WORM GEAR SPEED REDUCERS**  
**SHAFT INPUT - SHAFT OUTPUT - DIMENSIONS**

**MODEL # HdRS325-\*-L**



**LEFT HAND OUTPUT - DIMENSIONS - Inches**

Size	A	AB	AC	B	BB	BD	BE	CC	F	H	HL	LL	M	N
325	12.74	7.441	9.016	11.01	7.059	5.748	4	3.25	7.5	9.375	2.625	3.5	2.343	3.25

Size	Z	INPUT SHAFT			OUTPUT SHAFT			NEMA FRAME	OIL (OZ.)
		L	U	T*V	L1	S	W*Y		
325	7/16-14 UNC	1	0.875	3/16 * 3/32	2.438	1.375	5/16 * 5/32	56	73.75

\* Suitable For Any Ratio

