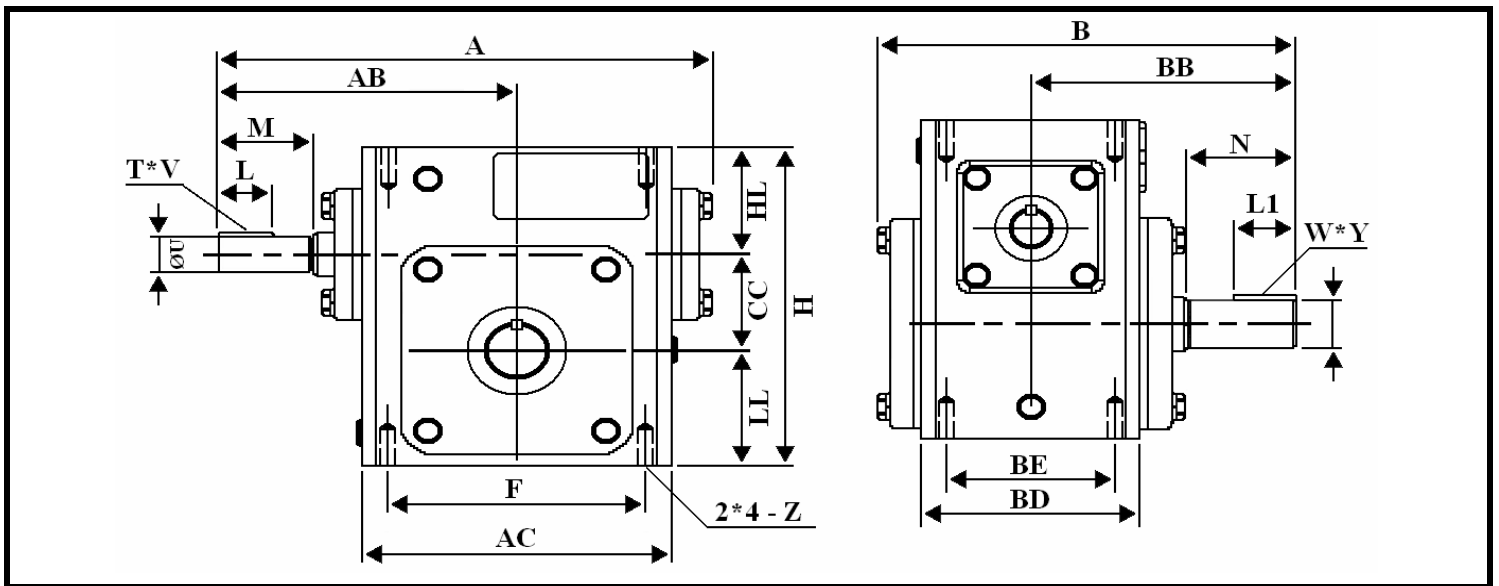
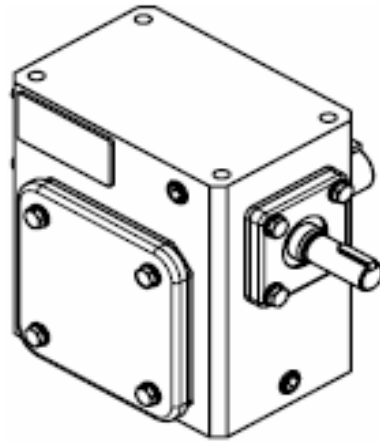


WORLDWIDE ELECTRIC CORPORATION
HdR SERIES PROGRAM - WORM GEAR SPEED REDUCERS
SHAFT INPUT - SHAFT OUTPUT - DIMENSIONS

MODEL # HdRS262-*-R-56



RIGHT HAND OUTPUT - DIMENSIONS - Inches

Size	A	AB	AC	B	BB	BD	BE	CC	F	H	HL	LL	M	N
262	10.61	6.309	7.165	8.872	5.63	4.685	3.375	2.625	6.375	8	2.437	2.938	2	2.626

Size	Z	INPUT SHAFT			OUTPUT SHAFT			NEMA FRAME	OIL (OZ.)
		L	U	T*V	L1	S	W*Y		
262	3/8-16 UNC	1	0.75	3/16 * 3/32	2	1.125	1/4 * 1/8	56	34.55

* Suitable For Any Ratio

