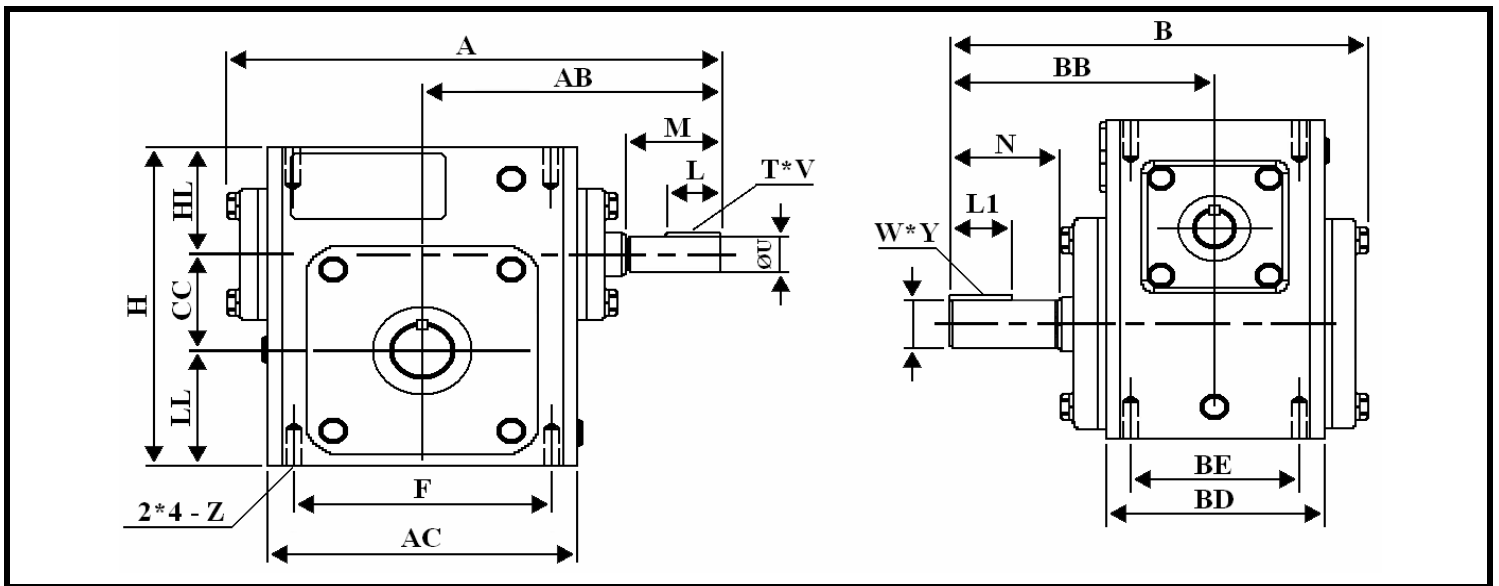
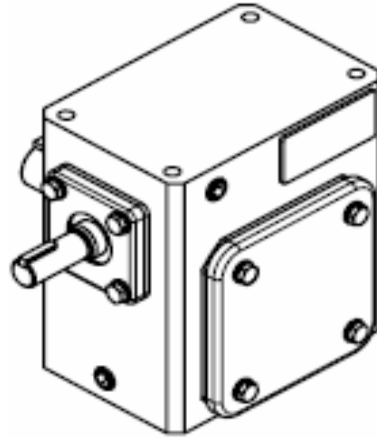


WORLDWIDE ELECTRIC CORPORATION
HdR SERIES PROGRAM - WORM GEAR SPEED REDUCERS
SHAFT INPUT - SHAFT OUTPUT - DIMENSIONS

MODEL # HdRS175-*-L-56



LEFT HAND OUTPUT - DIMENSIONS - Inches

Size	A	AB	AC	B	BB	BD	BE	CC	F	H	HL	LL	M	N
175	8.06	4.872	5.059	6.831	4.311	3.563	2.75	1.75	4.188	5.75	1.938	2.062	1.555	1.781

Size	Z	INPUT SHAFT			OUTPUT SHAFT			NEMA FRAME	OIL (OZ.)
		L	U	T*V	L1	S	W*Y		
175	5/16-18 UNC	0.875	0.625	3/16 * 3/32	1	0.875	3/16 * 3/32	56	11.64

* Suitable For Any Ratio

