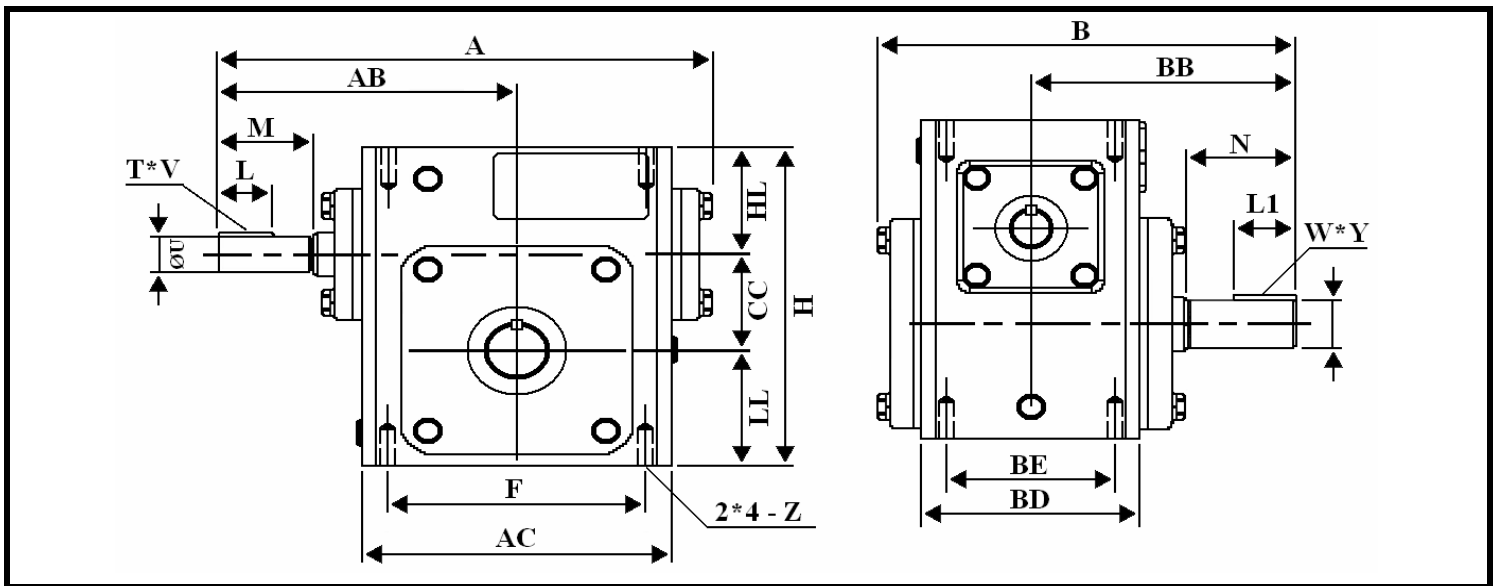
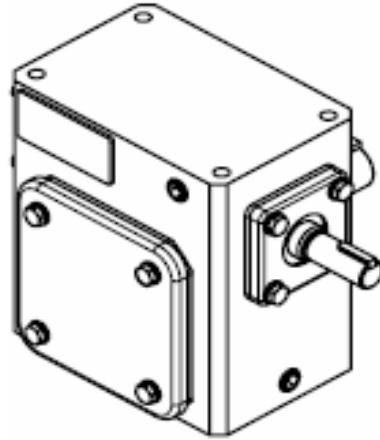


WORLDWIDE ELECTRIC CORPORATION
HdR SERIES PROGRAM - WORM GEAR SPEED REDUCERS
SHAFT INPUT - SHAFT OUTPUT - DIMENSIONS

MODEL # HdRS133-*-R-56



RIGHT HAND OUTPUT - DIMENSIONS - Inches

Size	A	AB	AC	B	BB	BD	BE	CC	F	H	HL	LL	M	N
133	6.45	3.907	3.78	6.067	4	2.835	2	1.333	3.25	4.656	1.605	1.718	1.309	2

Size	Z	INPUT SHAFT			OUTPUT SHAFT			NEMA FRAME	OIL (OZ.)
		L	U	T*V	L1	S	W*Y		
133	5/16-18 UNC	0.625	0.5	1/8 * 1/16	1	0.625	3/16 * 3/32	56	5.82

* Suitable For Any Ratio

