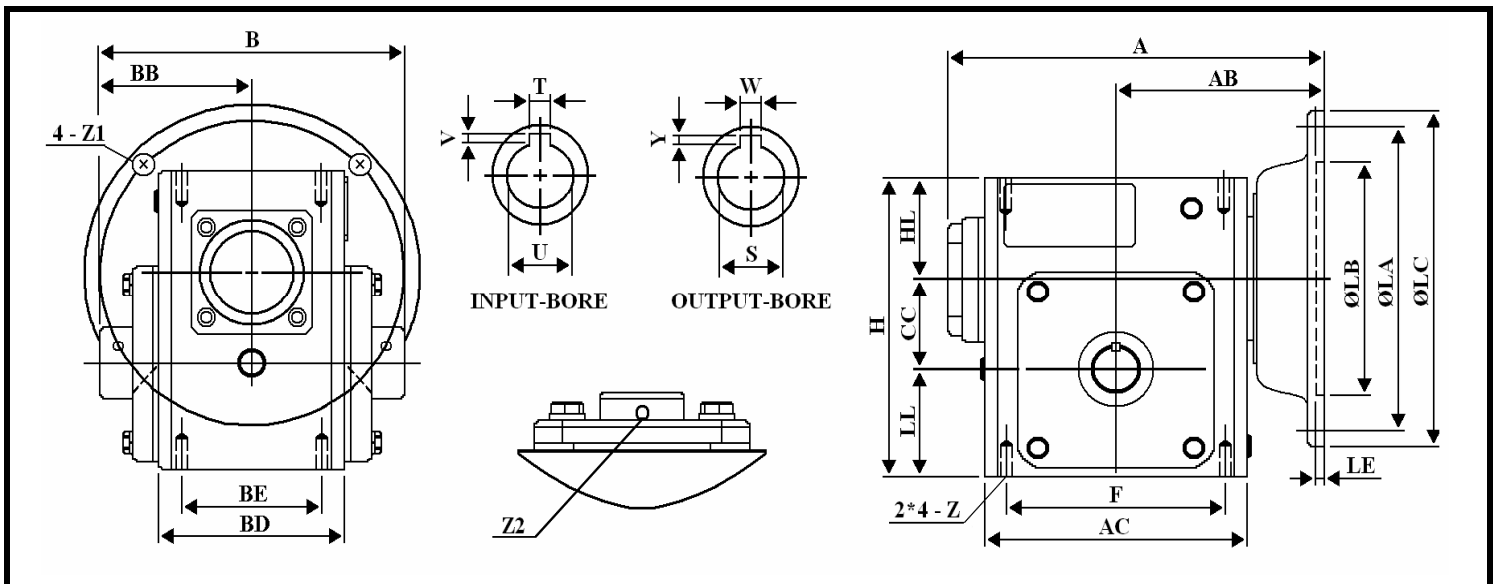
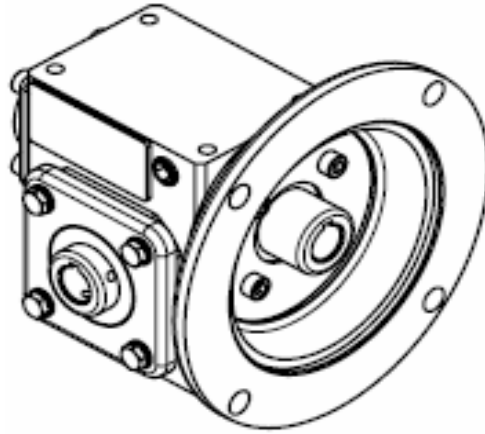


WORLDWIDE ELECTRIC CORPORATION
HdR SERIES PROGRAM - WORM GEAR SPEED REDUCERS
FLANGE INPUT - HOLLOW BORE OUTPUT - DIMENSIONS

MODEL # HdRF325-*-H-56C



DIMENSIONS - Inches

| Size | A | AB | AC | B | BB | BD | BE | CC | F | H | HL | LL | Z2 | Z |
|------|-------|-------|-------|------|------|-------|----|------|-----|-------|-------|-----|--------------------|----------------|
| 325 | 11.42 | 6.063 | 9.016 | 8.76 | 4.38 | 5.748 | 4 | 3.25 | 7.5 | 9.375 | 2.625 | 3.5 | 5/16-24 UNF*3/8 | 7/16-24 UNC |

| Size | INPUT BORE | | OUTPUT BORE | | FLANGE | | | | | NEMA FRAME | OIL (OZ.) |
|------|------------|-------------|-------------|------------|--------|-----|-----|-------|-------|---------------|--------------|
| | U | T*V | S | W*Y | LA | LB | LC | LE | Z1 | | |
| 325 | 0.625 | 3/16 * 3/32 | 1.937 | 1/2 * 3/16 | 5.875 | 4.5 | 6.5 | 0.157 | 0.433 | 56C | 73.75 |

* Suitable For Any Ratio

