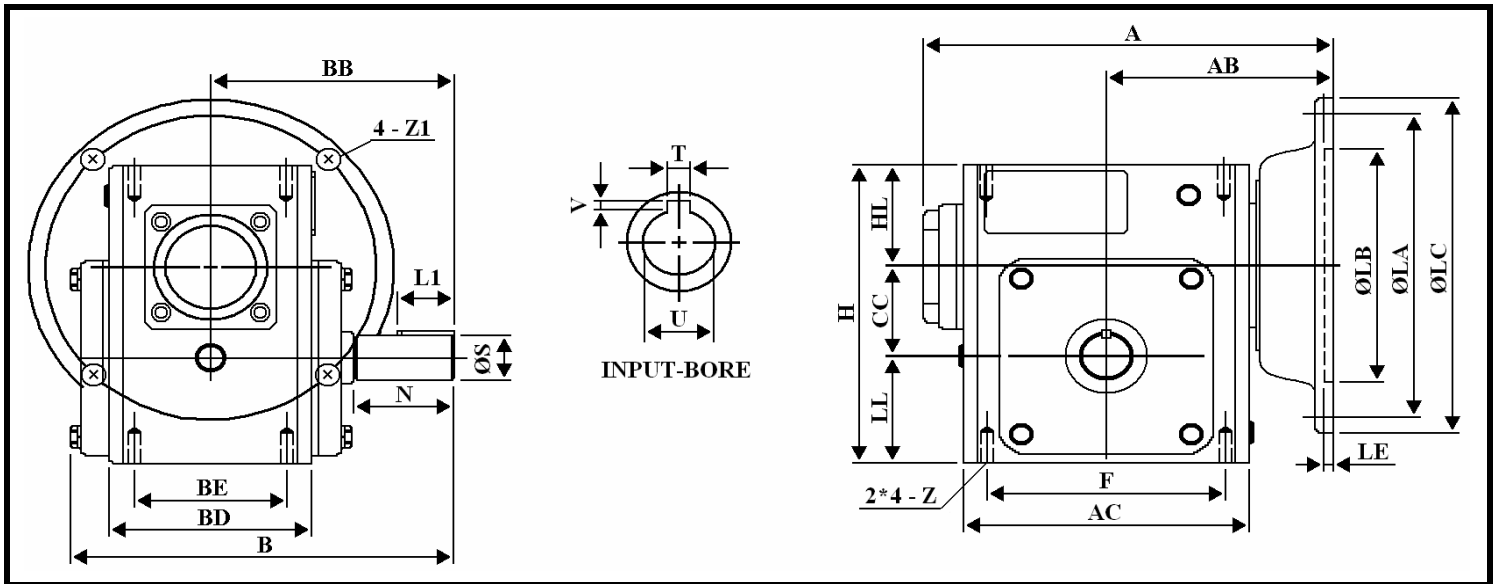
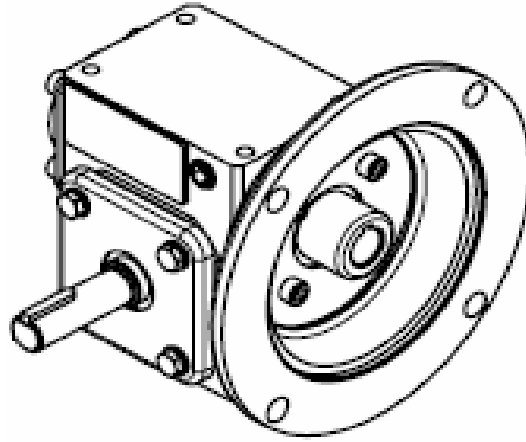


WORLDWIDE ELECTRIC CORPORATION
HdR SERIES PROGRAM - WORM GEAR SPEED REDUCERS
FLANGE INPUT - SHAFT OUTPUT - DIMENSIONS

MODEL # HdRF237-*-L-56C



LEFT HAND OUTPUT - DIMENSIONS - Inches

Size	A	AB	AC	B	BB	BD	BE	CC	F	H	HL	LL	N	Z
237	8.71	4.705	6.378	7.948	5.087	4.055	2.88	2.375	5	6.937	2.062	2.5	2.37	3/8-16 UNC

Size	INPUT BORE		OUTPUT SHAFT			FLANGE					NEMA FRAME	OIL (OZ.)
	U	T*V	L1	S	W*Y	LA	LB	LC	LE	Z1		
237	0.625	3/16 * 3/32	1.25	1.125	1/4 * 1/8	5.875	4.5	6.496	0.157	0.433	56C	24.07

* Suitable For Any Ratio

