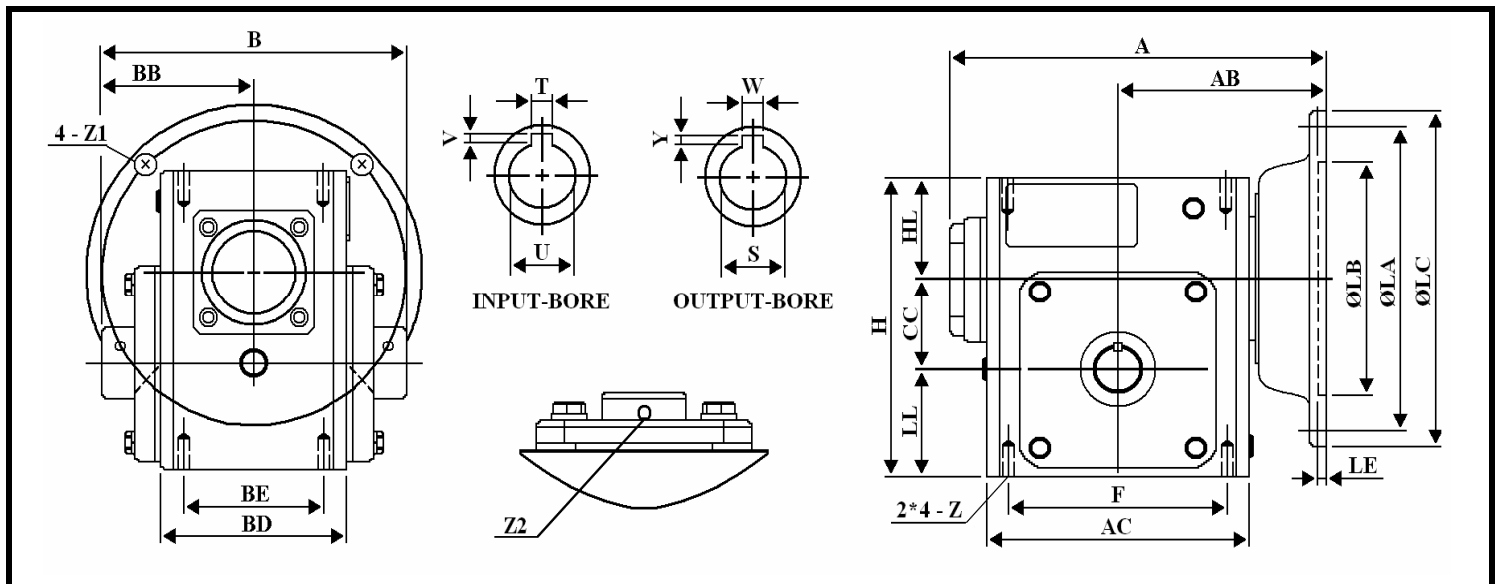
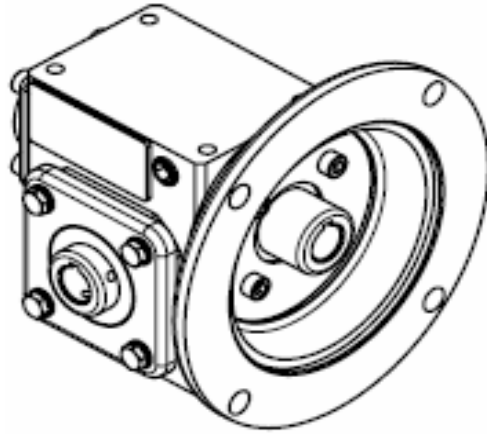


WORLDWIDE ELECTRIC CORPORATION

HdR SERIES PROGRAM - WORM GEAR SPEED REDUCERS

FLANGE INPUT - HOLLOW BORE OUTPUT - DIMENSIONS

MODEL # HdRF237-*-H-56C



DIMENSIONS - Inches

Size	A	AB	AC	B	BB	BD	BE	CC	F	H	HL	LL	Z2	Z
237	8.68	4.705	6.378	6.44	3.22	4.055	2.88	2.375	5	6.937	2.062	2.5	1/4-28 UNF*3/8	3/8-16 UNC

Size	INPUT BORE		OUTPUT BORE		FLANGE					NEMA FRAME	OIL (OZ.)
	U	T*V	S	W*Y	LA	LB	LC	LE	Z1		
237	0.625	3/16 * 3/32	1.25	1/4 * 7/64	5.875	4.5	6.5	0.157	0.433	56C	24.07

* Suitable For Any Ratio

