

DATA SHEET



Three Phase Induction Motor - Squirrel Cage

Customer	: Dealers Industrial Equipment 800-469-3110				
Customer reference	: 14846018				
Product line	: W40 JM Pump NEMA Premium Efficiency Three-Phase		Product code :	14846018	
			Catalog # :	ZX11729636	
Frame	: 404/5JM		Locked rotor time	: 21s (cold) 12s (hot)	
Output	: 100 HP (75 kW)		Temperature rise	: 80 K	
Poles	: 4		Duty cycle	: Cont.(S1)	
Frequency	: 60 Hz		Ambient temperature	: -20°C to +40°C	
Rated voltage	: 460 V		Altitude	: 1000 m.a.s.l.	
Rated current	: 115 A		Protection degree	: IP23	
L. R. Amperes	: 782 A		Cooling method	: IC01 - ODP	
LRC	: 6.8x(Code G)		Mounting	: F-1	
No load current	: 39.7 A		Rotation ¹	: Both (CW and CCW)	
Rated speed	: 1780 rpm		Noise level ²	: 69.0 dB(A)	
Slip	: 1.11 %		Starting method	: Direct On Line	
Rated torque	: 291 ft.lb		Approx. weight ³	: 992 lb	
Locked rotor torque	: 200 %				
Breakdown torque	: 250 %				
Insulation class	: F				
Service factor	: 1.25				
Moment of inertia (J)	: B				
Design					
Output	25%	50%	75%	100%	
Efficiency (%)	0.000	95.0	95.4	95.4	
Power Factor	0.00	0.75	0.83	0.86	
	Foundation loads				
	Max. traction				
	Max. compression				
	<u>Drive end</u>		<u>Non drive end</u>		
Bearing type	: 6314 C3		: 6212 Z C3		
Sealing	: Without Bearing Seal		: Without Bearing Seal		
Lubrication interval	: 20000 h		: 20000 h		
Lubricant amount	: 27 g		: 13 g		
Lubricant type	: Mobil Polyrex EM				
Notes					
downloaded from http://dealerselectric.com					
This revision replaces and cancel the previous one, which must be eliminated. (1) Looking the motor from the shaft end. (2) Measured at 1m and with tolerance of +3dB(A). (3) Approximate weight subject to changes after manufacturing process. (4) At 100% of full load.			These are average values based on tests with sinusoidal power supply, subject to the tolerances stipulated in NEMA MG-1.		
Rev.	Changes Summary		Performed	Checked	Date
Performed by					
Checked by				Page	Revision
Date	16/04/2019			1 / 2	

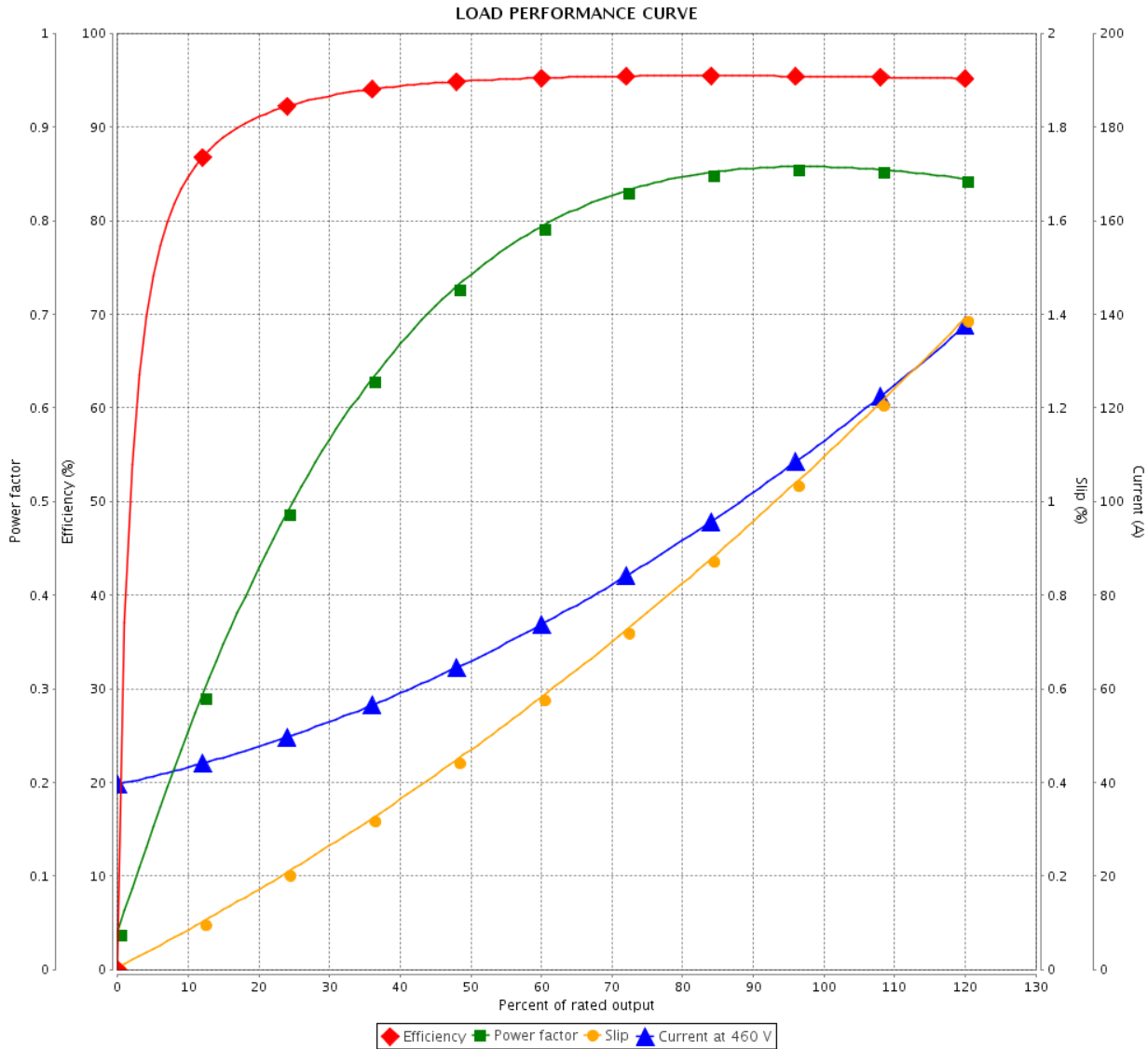
LOAD PERFORMANCE CURVE

Three Phase Induction Motor - Squirrel Cage



Customer : Dealers Industrial Equipment 800-469-3110
 Customer reference : 14846018

Product line : W40 JM Pump NEMA Premium Efficiency Three-Phase Product code : 14846018
 Catalog # : ZX11729636



Performance : 460 V 60 Hz 4P

Rated current : 115 A	Moment of inertia (J)
LRC : 6.8	Duty cycle : Cont.(S1)
Rated torque : 291 ft.lb	Insulation class : F
Locked rotor torque : 200 %	Service factor : 1.25
Breakdown torque : 250 %	Temperature rise : 80 K
Rated speed : 1780 rpm	Design : B

Rev.	Changes Summary	Performed	Checked	Date
Performed by			Page	Revision
Checked by			2 / 2	
Date	16/04/2019			

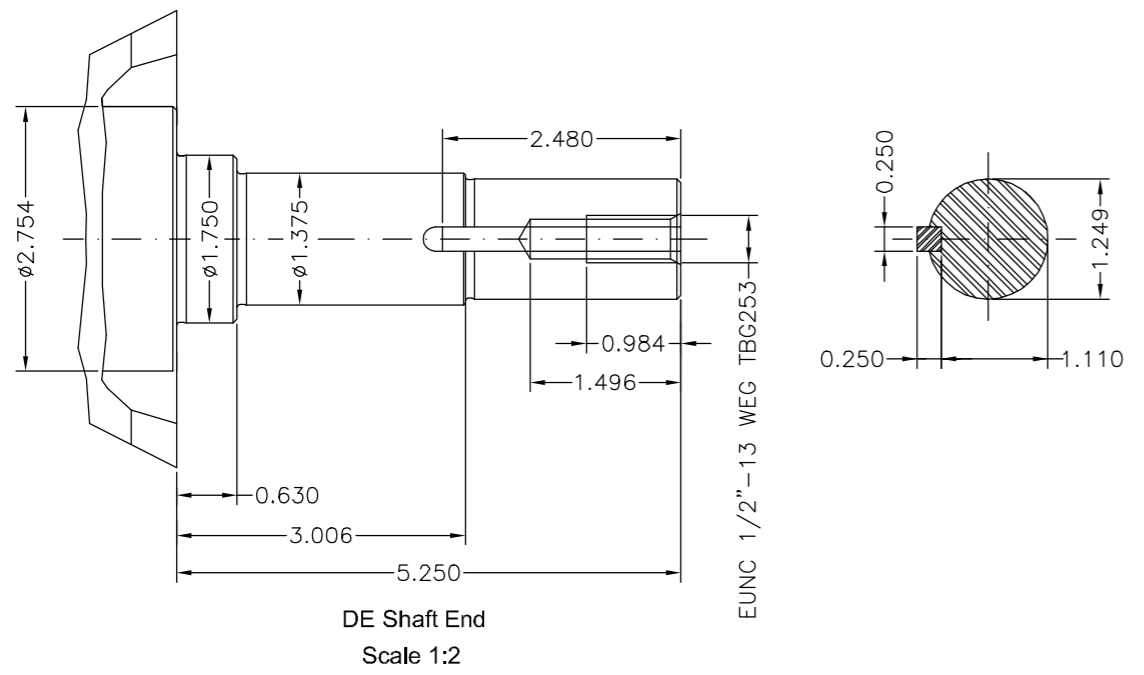
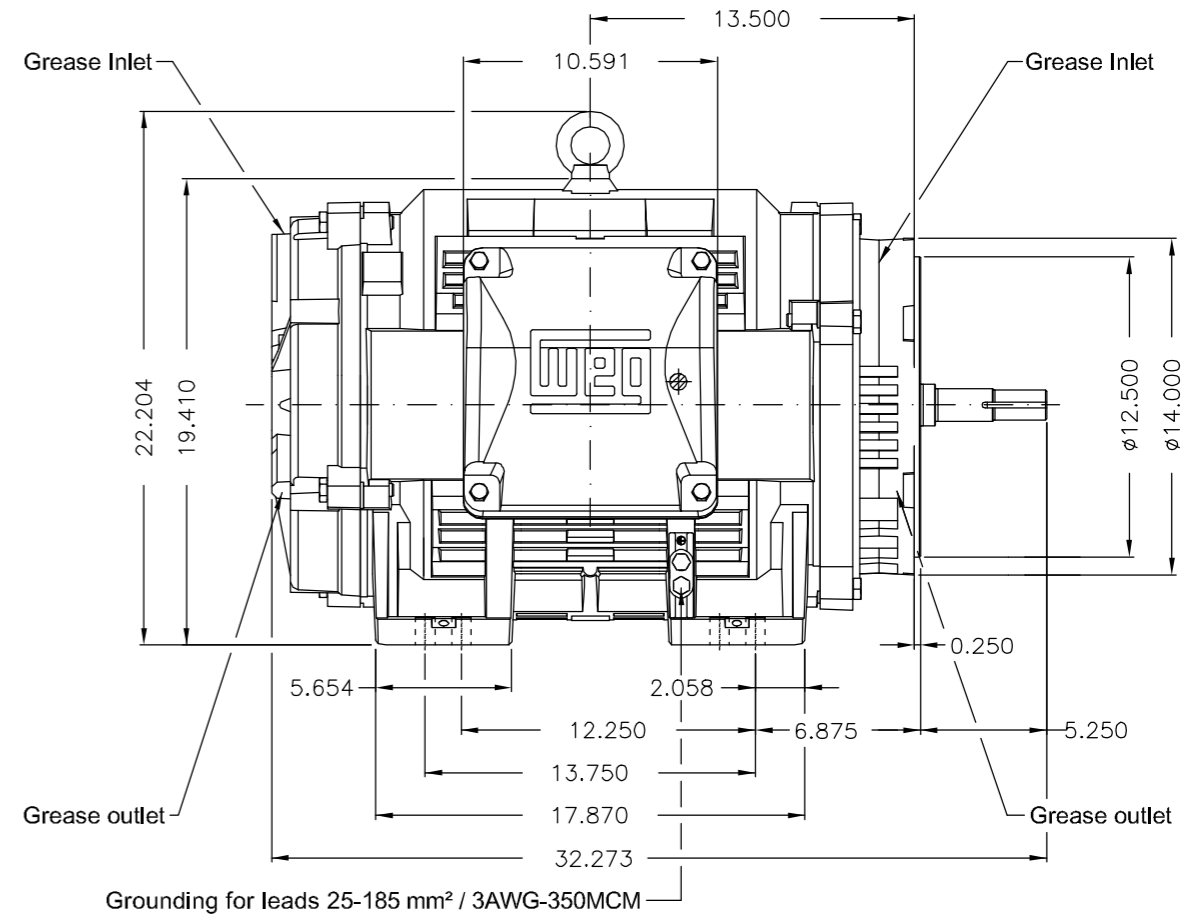
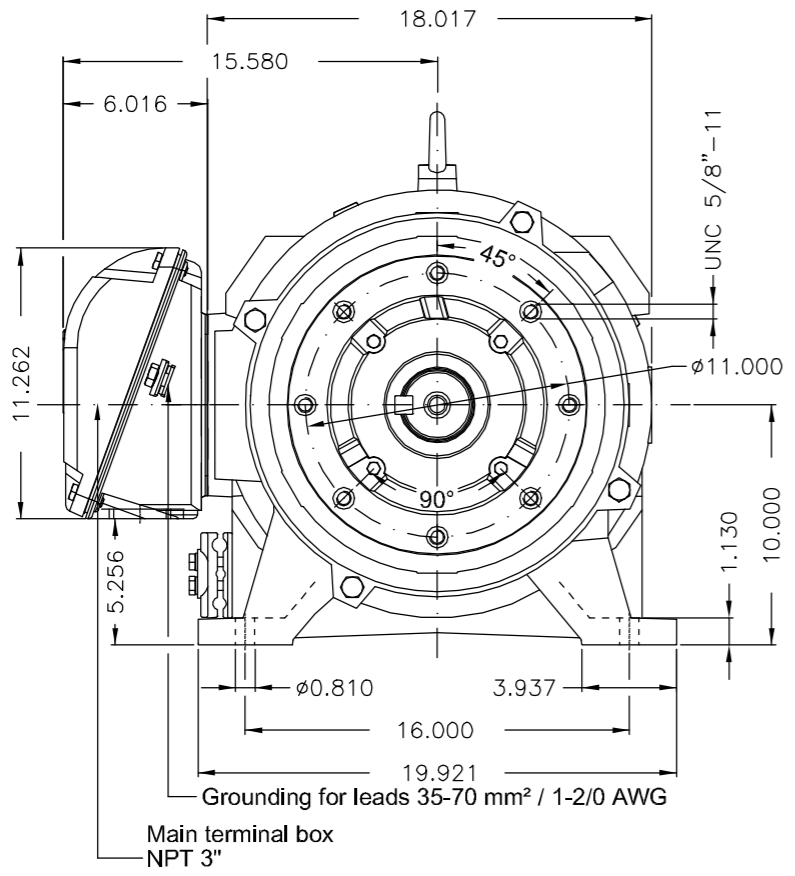
EIXO/SHAFT	
PADRÃO/STANDARD	X
OPCIONAL/OPTIONAL	
ESPECIAL/SPECIAL	

Dimensões em polegada
Dimensions in inches

CERTIFIED WEG MOTORES
Certified document.
Not subject to changes.

THIS IS AN UPDATED REVISION, THE PREVIOUS ONE MUST BE DISREGARDED.

A
B
C
D
E



Cor RAL 5009 / Color RAL 5009						
Plano de pintura 203A / Painting plan 203A						
Forma construtiva NEMA F-1 / Mounting NEMA F-1						
Forma construtiva B34D / Mounting B34R(D)						
WEG ELECTRIC CORPORATION - WEC						
					SCALE	1:8
500001568740	DOCUMENTO NOVO			NSCHMIDT	MAIKONP	MAIKONP
ECM	LOC	SUMMARY OF MODIFICATIONS		EXECUTED	CHECKED	RELEASED
EXECUTED	NSCHMIDT	THREE PHASE W40 MOTOR NEMA PREMIUM EFF FRAME 404/5JM IP23 ODP CLOSE COUPLED PUMP JM TYPE		10006453168		
CHECKED	MAIKONP			000 00		
RELEASED	MAIKONP			SHEET 01 / 01		
REL DT	15.03.2019	WMO	Jaragua do Sul	Product Engineering		

100 HP 04 Poles 60Hz 415382950/1-MEC.

UNCONTROLLED COPY RELEASED ZME A3