

DATA SHEET



Three Phase Induction Motor - Squirrel Cage

Customer	: Dealers Industrial Equipment 800-469-3110				
Customer reference	: 10018OT3E404JM-W40				
Product line	: W40 JM Pump NEMA Premium Efficiency Three-Phase		Product code :	14845935	
			Catalog # :	10018OT3E404JM-W40	
Frame	: 404/5JM		Locked rotor time	: 21s (cold) 12s (hot)	
Output	: 100 HP (75 kW)		Temperature rise	: 80 K	
Poles	: 4		Duty cycle	: Cont.(S1)	
Frequency	: 60 Hz		Ambient temperature	: -20°C to +40°C	
Rated voltage	: 208-230/460 V		Altitude	: 1000 m.a.s.l.	
Rated current	: 254-229/115 A		Protection degree	: IP23	
L. R. Amperes	: 1727-1557/782 A		Cooling method	: IC01 - ODP	
LRC	: 6.8x(Code G)		Mounting	: F-1	
No load current	: 68.5-79.4/39.7 A		Rotation ¹	: Both (CW and CCW)	
Rated speed	: 1780 rpm		Noise level ²	: 69.0 dB(A)	
Slip	: 1.11 %		Starting method	: Direct On Line	
Rated torque	: 291 ft.lb		Approx. weight ³	: 992 lb	
Locked rotor torque	: 200 %				
Breakdown torque	: 250 %				
Insulation class	: F				
Service factor	: 1.25				
Moment of inertia (J)	: B				
Design					
Output	25%	50%	75%	100%	
Efficiency (%)	0.000	95.0	95.4	95.4	
Power Factor	0.00	0.75	0.83	0.86	
	Foundation loads				
	Max. traction				
	Max. compression				
	<u>Drive end</u>		<u>Non drive end</u>		
Bearing type	: 6314 C3		: 6212 Z C3		
Sealing	: Without Bearing Seal		: Without Bearing Seal		
Lubrication interval	: 20000 h		: 20000 h		
Lubricant amount	: 27 g		: 13 g		
Lubricant type	: Mobil Polyrex EM				
Notes downloaded from http://dealerselectric.com					
This revision replaces and cancel the previous one, which must be eliminated. (1) Looking the motor from the shaft end. (2) Measured at 1m and with tolerance of +3dB(A). (3) Approximate weight subject to changes after manufacturing process. (4) At 100% of full load.			These are average values based on tests with sinusoidal power supply, subject to the tolerances stipulated in NEMA MG-1.		
Rev.	Changes Summary		Performed	Checked	Date
Performed by					
Checked by				Page	Revision
Date	22/04/2019			1 / 2	

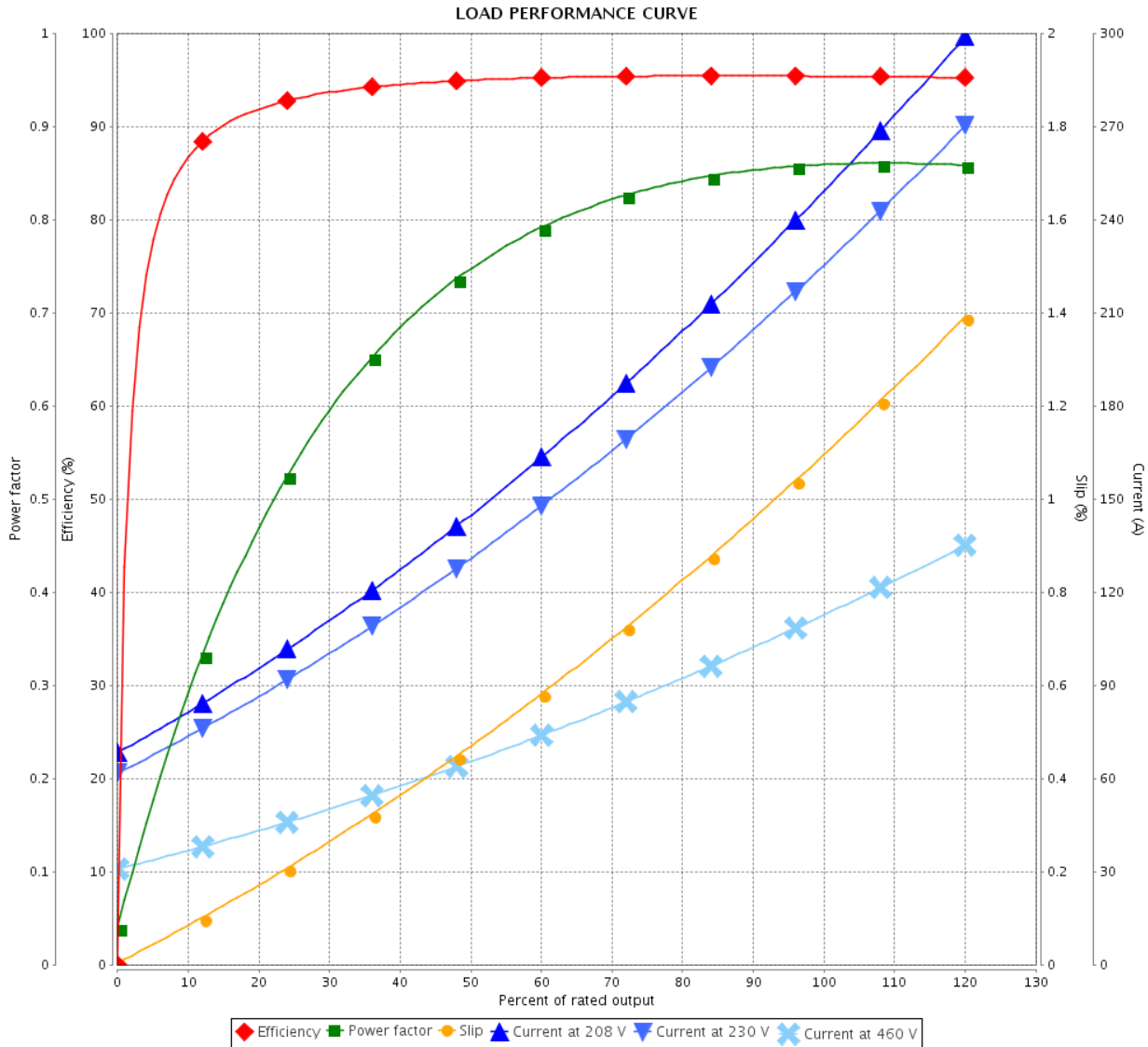
LOAD PERFORMANCE CURVE



Three Phase Induction Motor - Squirrel Cage

Customer : Dealers Industrial Equipment 800-469-3110
 Customer reference : 10018OT3E404JM-W40

Product line : W40 JM Pump NEMA Premium Efficiency Three-Phase Product code : 14845935
 Catalog # : 10018OT3E404JM-W40



Performance : 208-230/460 V 60 Hz 4P

Rated current : 254-229/115 A	Moment of inertia (J)
LRC : 6.8	Duty cycle : Cont.(S1)
Rated torque : 291 ft.lb	Insulation class : F
Locked rotor torque : 200 %	Service factor : 1.25
Breakdown torque : 250 %	Temperature rise : 80 K
Rated speed : 1780 rpm	Design : B

Rev.	Changes Summary	Performed	Checked	Date
Performed by			Page 2 / 2	Revision
Checked by				
Date	22/04/2019			

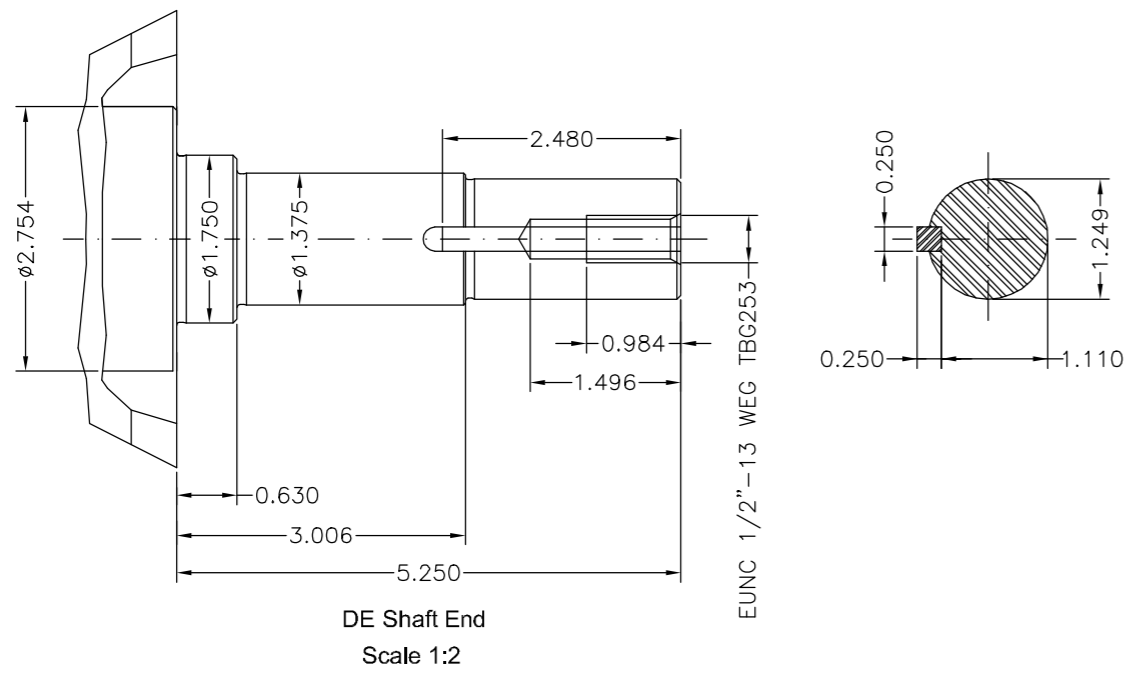
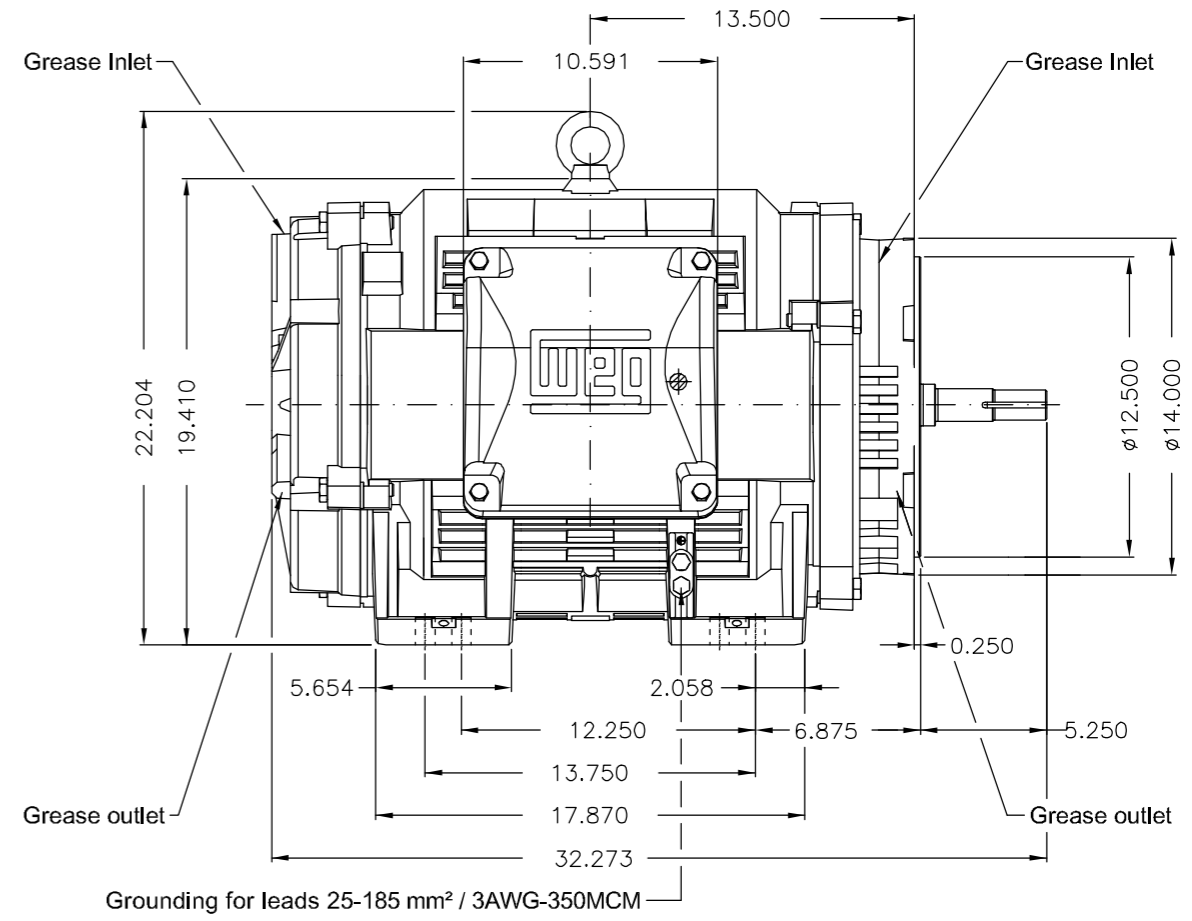
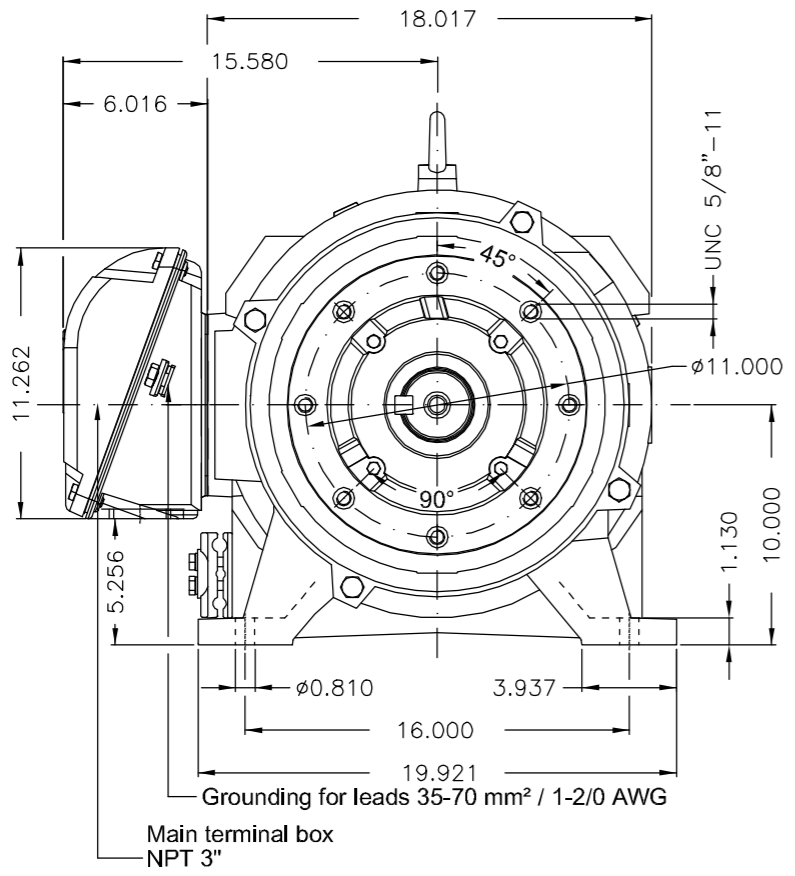
EIXO/SHAFT	
PADRÃO/STANDARD	X
OPCIONAL/OPTIONAL	
ESPECIAL/SPECIAL	

Dimensões em polegada
Dimensions in inches

**CERTIFIED
WEG MOTORES**
Certified document.
Not subject to changes.

THIS IS AN UPDATED REVISION, THE
PREVIOUS ONE MUST BE DISREGARDED.

A
B
C
D
E



Cor RAL 5009 / Color RAL 5009						
Plano de pintura 203A / Painting plan 203A						
Forma construtiva NEMA F-1 / Mounting NEMA F-1						
Forma construtiva B34D / Mounting B34R(D)						
WEG ELECTRIC CORPORATION - WEC						
					SCALE	1:8
500001568740	DOCUMENTO NOVO			NSCHMIDT	MAIKONP	MAIKONP 15.03.2019 00
ECM	LOC	SUMMARY OF MODIFICATIONS		EXECUTED	CHECKED	RELEASED DATE VER
EXECUTED	NSCHMIDT	THREE PHASE W40 MOTOR NEMA PREMIUM EFF		10006453168		
CHECKED	MAIKONP	FRAME 404/5JM IP23 ODP		000 00		
RELEASED	MAIKONP	CLOSE COUPLED PUMP JM TYPE		000 00		
REL DT	15.03.2019	WMO	Jaragua do Sul	Product Engineering	SHEET 01 / 01	

100 HP 04 Poles 60Hz 415382950/1-MEC.

UNCONTROLLED COPY RELEASED ZME A3