

# DATA SHEET



## Three Phase Induction Motor - Squirrel Cage

Customer	: Dealers Industrial Equipment 800-469-3110				
Customer reference	: 14837863				
Product line	: W40 JP Pump NEMA Premium Efficiency Three-Phase		Product code :	14837863	
			Catalog # :	01512OT3E284JPV-W40	
Frame	: 284/6JP		Locked rotor time	: 28s (cold) 16s (hot)	
Output	: 15 HP (11 kW)		Temperature rise	: 80 K	
Poles	: 6		Duty cycle	: Cont.(S1)	
Frequency	: 60 Hz		Ambient temperature	: -20°C to +40°C	
Rated voltage	: 208-230/460 V		Altitude	: 1000 m.a.s.l.	
Rated current	: 40.7-36.8/18.4 A		Protection degree	: IP23	
L. R. Amperes	: 256-232/116 A		Cooling method	: IC01 - ODP	
LRC	: 6.3x(Code G)		Mounting	: W-6	
No load current	: 13.5-15.6/7.80 A		Rotation <sup>1</sup>	: Both (CW and CCW)	
Rated speed	: 1180 rpm		Noise level <sup>2</sup>	: 59.0 dB(A)	
Slip	: 1.67 %		Starting method	: Direct On Line	
Rated torque	: 65.9 ft.lb		Approx. weight <sup>3</sup>	: 337 lb	
Locked rotor torque	: 260 %				
Breakdown torque	: 260 %				
Insulation class	: F				
Service factor	: 1.25				
Moment of inertia (J)	: 4.80 sq.ft.lb				
Design	: B				
Output	25%	50%	75%	100%	
Efficiency (%)	90.8	91.0	91.7	91.7	
Power Factor	0.42	0.67	0.77	0.82	
	Foundation loads				
	Max. traction				
	Max. compression				
	<u>Drive end</u>		<u>Non drive end</u>		
Bearing type	: 6311 Z C3		6211 Z C3		
Sealing	: Without Bearing Seal		Without Bearing Seal		
Lubrication interval	: 20000 h		20000 h		
Lubricant amount	: 18 g		11 g		
Lubricant type	: Mobil Polyrex EM				
Notes downloaded from <a href="http://dealerselectric.com">http://dealerselectric.com</a>					
This revision replaces and cancel the previous one, which must be eliminated. (1) Looking the motor from the shaft end. (2) Measured at 1m and with tolerance of +3dB(A). (3) Approximate weight subject to changes after manufacturing process. (4) At 100% of full load.			These are average values based on tests with sinusoidal power supply, subject to the tolerances stipulated in NEMA MG-1.		
Rev.	Changes Summary		Performed	Checked	Date
Performed by					
Checked by				Page	Revision
Date	16/04/2019			1 / 2	

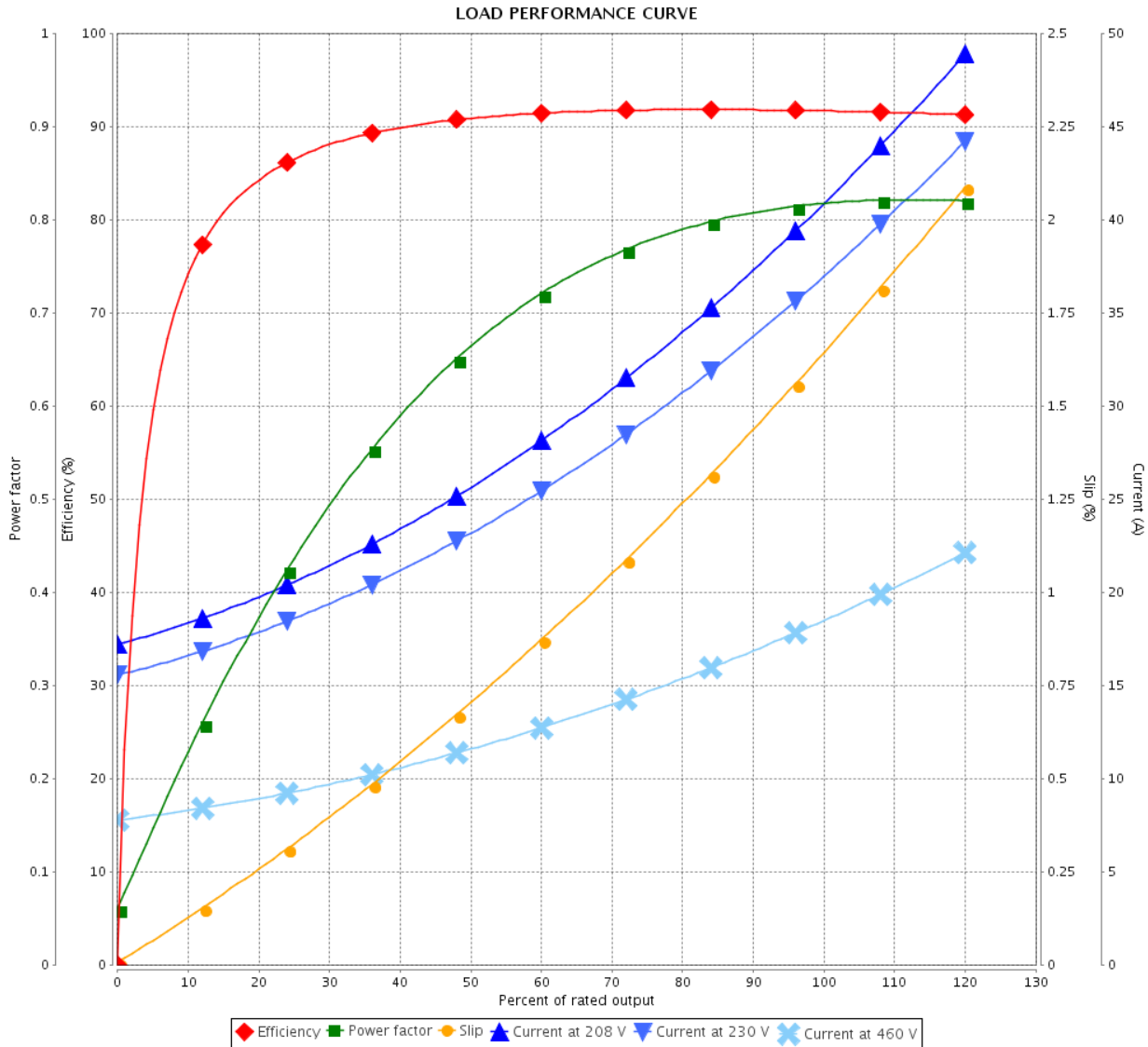
# LOAD PERFORMANCE CURVE



## Three Phase Induction Motor - Squirrel Cage

Customer : Dealers Industrial Equipment 800-469-3110  
 Customer reference : 14837863

Product line : W40 JP Pump NEMA Premium Efficiency Three-Phase      Product code : 14837863  
 Catalog # : 015120T3E284JPV-W40



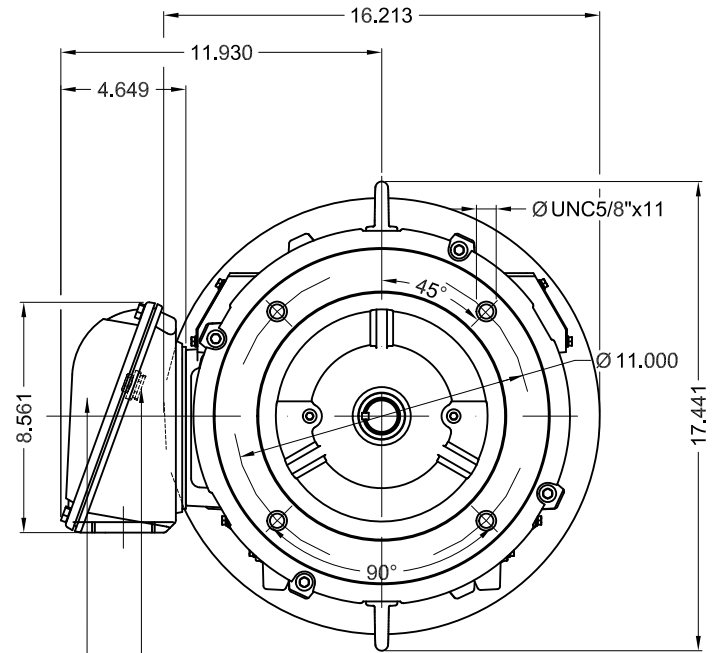
Performance : 208-230/460 V 60 Hz 6P

Rated current : 40.7-36.8/18.4 A	Moment of inertia (J) : 4.80 sq.ft.lb
LRC : 6.3	Duty cycle : Cont.(S1)
Rated torque : 65.9 ft.lb	Insulation class : F
Locked rotor torque : 260 %	Service factor : 1.25
Breakdown torque : 260 %	Temperature rise : 80 K
Rated speed : 1180 rpm	Design : B

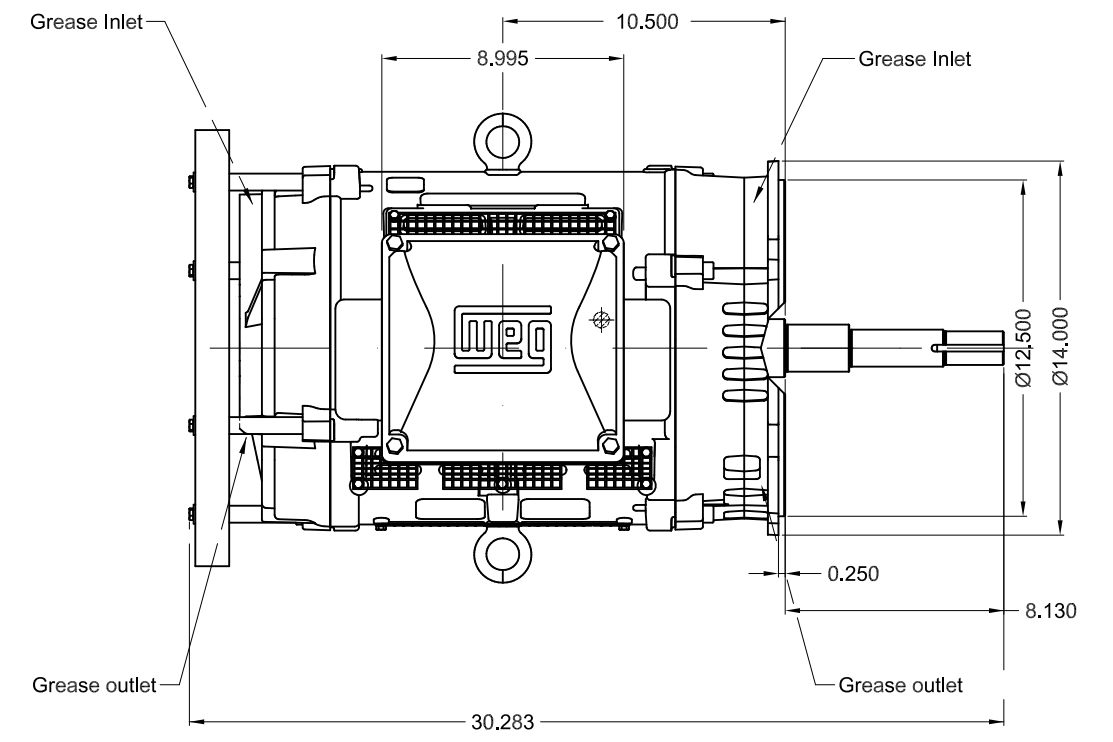
Rev.	Changes Summary	Performed	Checked	Date
Performed by			Page 2 / 2	Revision
Checked by				
Date	16/04/2019			

Dimensões em polegada  
Dimensions in inches

THIS IS AN UPDATED REVISION, THE  
PREVIOUS ONE MUST BE DISREGARDED.



Grounding for leads 5.2-35 mm<sup>2</sup> / 10-2 AWG  
Main terminal box  
NPT 1 1/2"



Color RAL 5009  
Painting plan 203A  
Mounting V18

					SCALE	1:7	
ECM	LOC	SUMMARY OF MODIFICATIONS	EXECUTED	CHECKED	RELEASED	DATE	VER
EXECUTED	USERADMIN	THREE PHASE W40 MOTOR NEMA PREMIUM EFF					
CHECKED		FRAME 284/6JP IP23 ODP					
RELEASED		CLOSE COUPLED PUMP JP TYPE   W					
REL DT	16.04.2019	WMO Jaragua do Sul	Product Engineering	SHEET	1 / 1		



15 HP 06 Poles 60Hz

A