

DATA SHEET



Three Phase Induction Motor - Squirrel Cage

Customer	: Dealers Industrial Equipment 800-469-3110				
Customer reference	: 14837655				
Product line	: W40 JM Pump NEMA Premium Efficiency Three-Phase		Product code :	14837655	
			Catalog # :	02518OT3E284JMV-W40	
Frame	: 284/6JM		Locked rotor time	: 30s (cold) 17s (hot)	
Output	: 25 HP (18.5 kW)		Temperature rise	: 80 K	
Poles	: 4		Duty cycle	: Cont.(S1)	
Frequency	: 60 Hz		Ambient temperature	: -20°C to +40°C	
Rated voltage	: 208-230/460 V		Altitude	: 1000 m.a.s.l.	
Rated current	: 65.2-59.0/29.5 A		Protection degree	: IP23	
L. R. Amperes	: 431-389/195 A		Cooling method	: IC01 - ODP	
LRC	: 6.6x(Code G)		Mounting	: W-6	
No load current	: 19.0-22.0/11.0 A		Rotation ¹	: Both (CW and CCW)	
Rated speed	: 1770 rpm		Noise level ²	: 64.0 dB(A)	
Slip	: 1.67 %		Starting method	: Direct On Line	
Rated torque	: 73.2 ft.lb		Approx. weight ³	: 370 lb	
Locked rotor torque	: 270 %				
Breakdown torque	: 280 %				
Insulation class	: F				
Service factor	: 1.25				
Moment of inertia (J)	: 3.71 sq.ft.lb				
Design	: B				
Output	25%	50%	75%	100%	
Efficiency (%)	92.8	93.0	93.6	93.6	
Power Factor	0.45	0.69	0.80	0.84	
	Foundation loads				
	Max. traction				
	Max. compression				
	<u>Drive end</u>		<u>Non drive end</u>		
Bearing type	: 6311 Z C3		6211 Z C3		
Sealing	: Without Bearing Seal		Without Bearing Seal		
Lubrication interval	: 20000 h		20000 h		
Lubricant amount	: 18 g		11 g		
Lubricant type	: Mobil Polyrex EM				
Notes downloaded from http://dealerselectric.com					
This revision replaces and cancel the previous one, which must be eliminated. (1) Looking the motor from the shaft end. (2) Measured at 1m and with tolerance of +3dB(A). (3) Approximate weight subject to changes after manufacturing process. (4) At 100% of full load.			These are average values based on tests with sinusoidal power supply, subject to the tolerances stipulated in NEMA MG-1.		
Rev.	Changes Summary		Performed	Checked	Date
Performed by					
Checked by				Page	Revision
Date	16/04/2019			1 / 2	

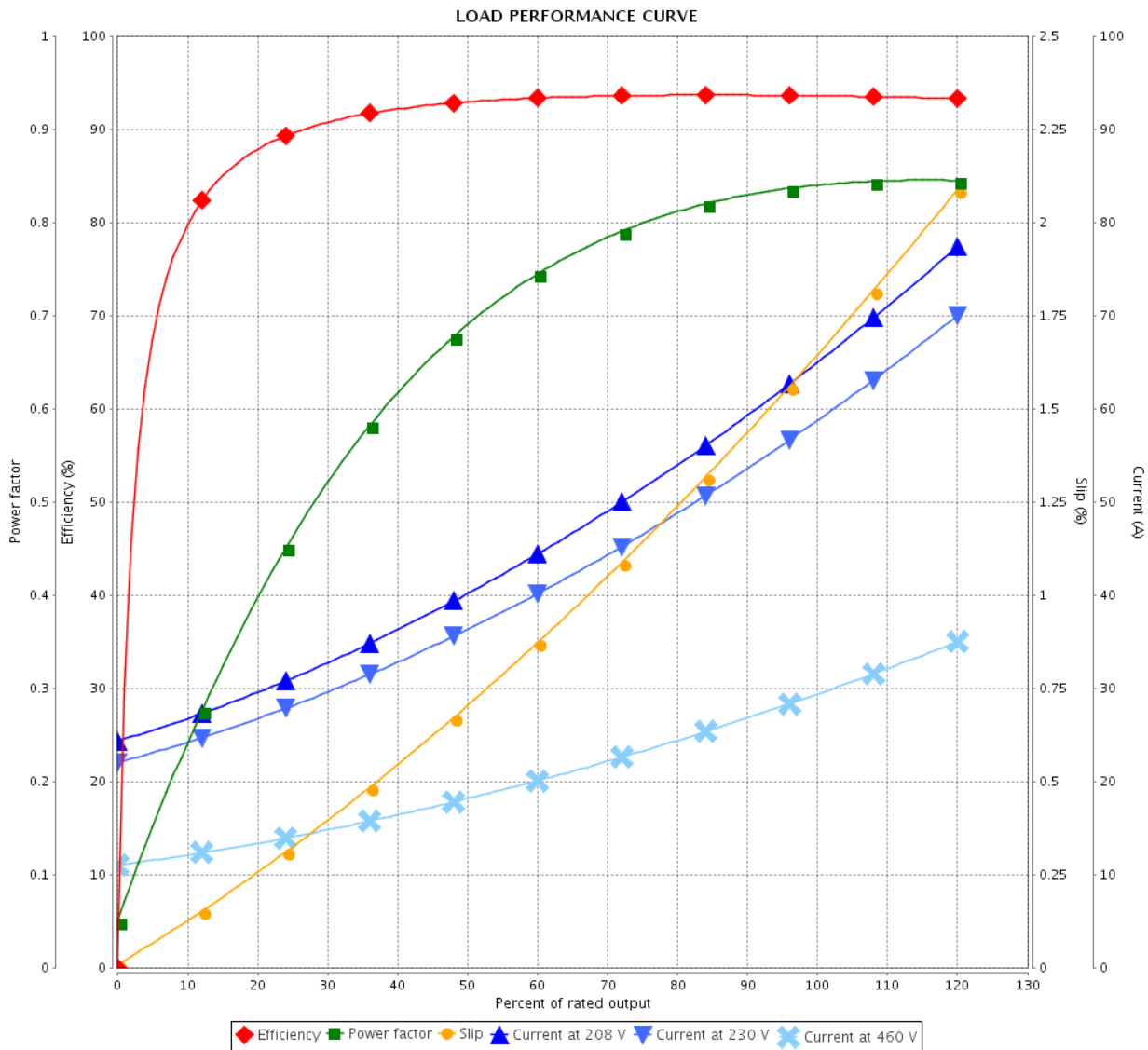
LOAD PERFORMANCE CURVE



Three Phase Induction Motor - Squirrel Cage

Customer : Dealers Industrial Equipment 800-469-3110
 Customer reference : 14837655

Product line : W40 JM Pump NEMA Premium Efficiency Three-Phase Product code : 14837655
 Catalog # : 02518OT3E284JMV-W40



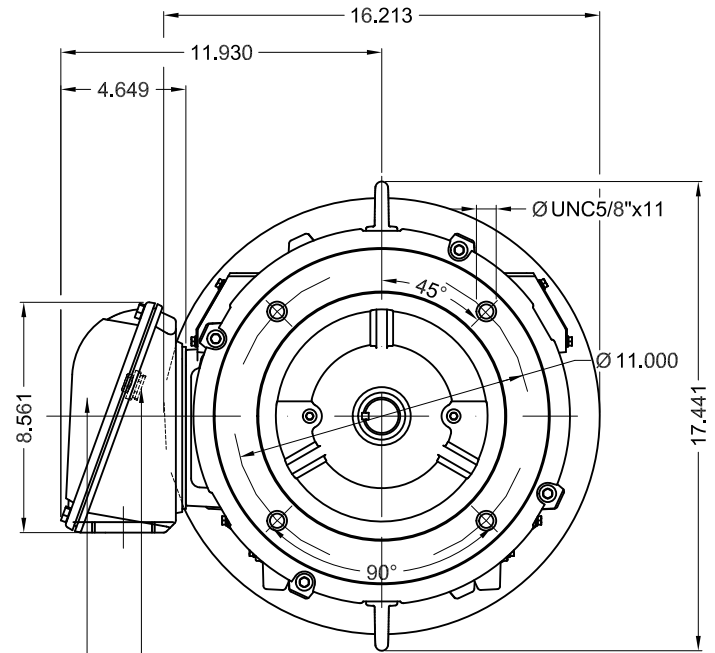
Performance : 208-230/460 V 60 Hz 4P

Rated current : 65.2-59.0/29.5 A	Moment of inertia (J) : 3.71 sq.ft.lb
LRC : 6.6	Duty cycle : Cont.(S1)
Rated torque : 73.2 ft.lb	Insulation class : F
Locked rotor torque : 270 %	Service factor : 1.25
Breakdown torque : 280 %	Temperature rise : 80 K
Rated speed : 1770 rpm	Design : B

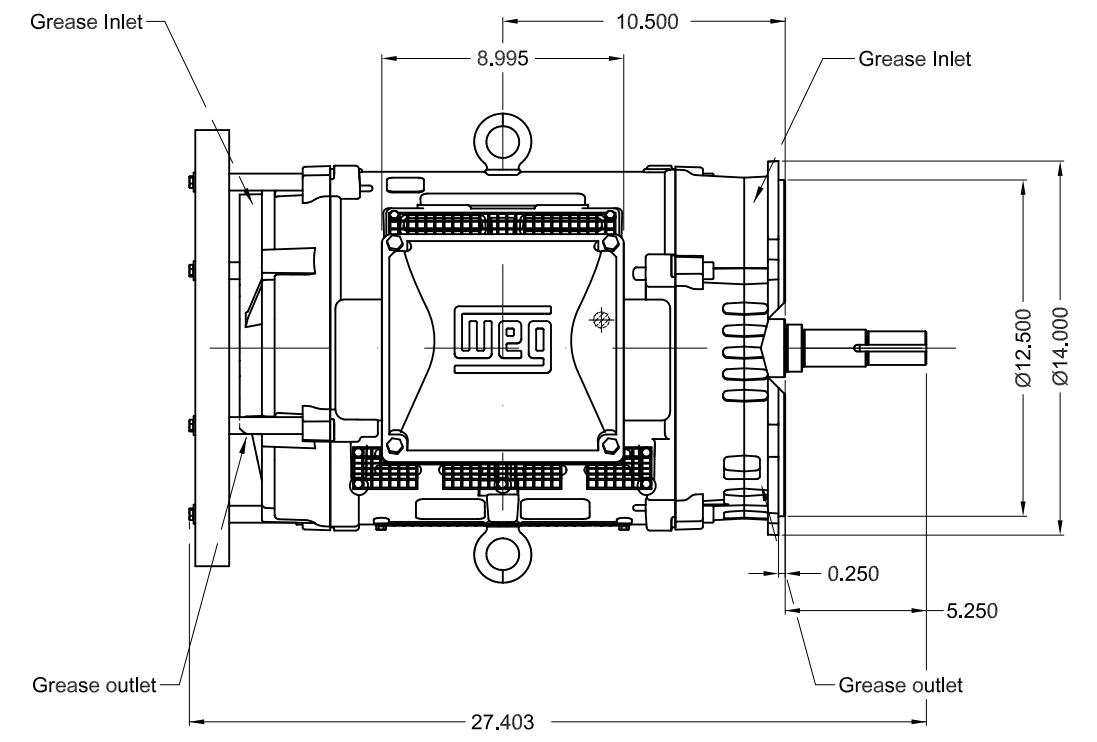
Rev.	Changes Summary	Performed	Checked	Date
Performed by			Page	Revision
Checked by				
Date				

Dimensões em polegada
Dimensions in inches

THIS IS AN UPDATED REVISION, THE
PREVIOUS ONE MUST BE DISREGARDED.



Grounding for leads 5.2-35 mm² / 10-2 AWG
Main terminal box
NPT 1 1/2"



Color RAL 5009
Painting plan 203A
Mounting V18

SCALE 1:7

ECM	LOC	SUMMARY OF MODIFICATIONS	EXECUTED	CHECKED	RELEASED	DATE	VER
EXECUTED	USERADMIN	THREE PHASE W40 MOTOR NEMA PREMIUM EFF					
CHECKED		FRAME 284/6JM IP23 ODP					
RELEASED		CLOSE COUPLED PUMP JM TYPE W					
REL DT	16.04.2019	WMO Jaragua do Sul	Product Engineering	SHEET	1 / 1		



25 HP 04 Poles 60Hz

A