

# DATA SHEET



## Three Phase Induction Motor - Squirrel Cage

Customer	: Dealers Industrial Equipment 800-469-3110				
Customer reference	: 14837653				
Product line	: W40 JM Pump NEMA Premium Efficiency Three-Phase		Product code :	14837653	
			Catalog # :	06036OT3H326JMV-W40	
Frame	: 324/6JM		Locked rotor time	: 21s (cold) 12s (hot)	
Output	: 60 HP (45 kW)		Temperature rise	: 80 K	
Poles	: 2		Duty cycle	: Cont.(S1)	
Frequency	: 60 Hz		Ambient temperature	: -20°C to +40°C	
Rated voltage	: 575 V		Altitude	: 1000 m.a.s.l.	
Rated current	: 56.8 A		Protection degree	: IP23	
L. R. Amperes	: 358 A		Cooling method	: IC01 - ODP	
LRC	: 6.3x(Code G)		Mounting	: W-6	
No load current	: 16.0 A		Rotation <sup>1</sup>	: Both (CW and CCW)	
Rated speed	: 3560 rpm		Noise level <sup>2</sup>	: 75.0 dB(A)	
Slip	: 1.11 %		Starting method	: Direct On Line	
Rated torque	: 87.3 ft.lb		Approx. weight <sup>3</sup>	: 514 lb	
Locked rotor torque	: 220 %				
Breakdown torque	: 229 %				
Insulation class	: F				
Service factor	: 1.25				
Moment of inertia (J)	: 3.82 sq.ft.lb				
Design	: B				
Output	25%	50%	75%	100%	
Efficiency (%)	91.7	92.4	93.0	93.6	
Power Factor	0.51	0.73	0.82	0.85	
	Foundation loads				
	Max. traction				
	Max. compression				
	<u>Drive end</u>		<u>Non drive end</u>		
Bearing type	: 6312 Z C3		: 6211 Z C3		
Sealing	: Without Bearing Seal		: Without Bearing Seal		
Lubrication interval	: 9829 h		: 14226 h		
Lubricant amount	: 21 g		: 11 g		
Lubricant type	: Mobil Polyrex EM				
Notes downloaded from <a href="http://dealerselectric.com">http://dealerselectric.com</a>					
This revision replaces and cancel the previous one, which must be eliminated. (1) Looking the motor from the shaft end. (2) Measured at 1m and with tolerance of +3dB(A). (3) Approximate weight subject to changes after manufacturing process. (4) At 100% of full load.			These are average values based on tests with sinusoidal power supply, subject to the tolerances stipulated in NEMA MG-1.		
Rev.	Changes Summary		Performed	Checked	Date
Performed by					
Checked by				Page	Revision
Date	16/04/2019			1 / 2	

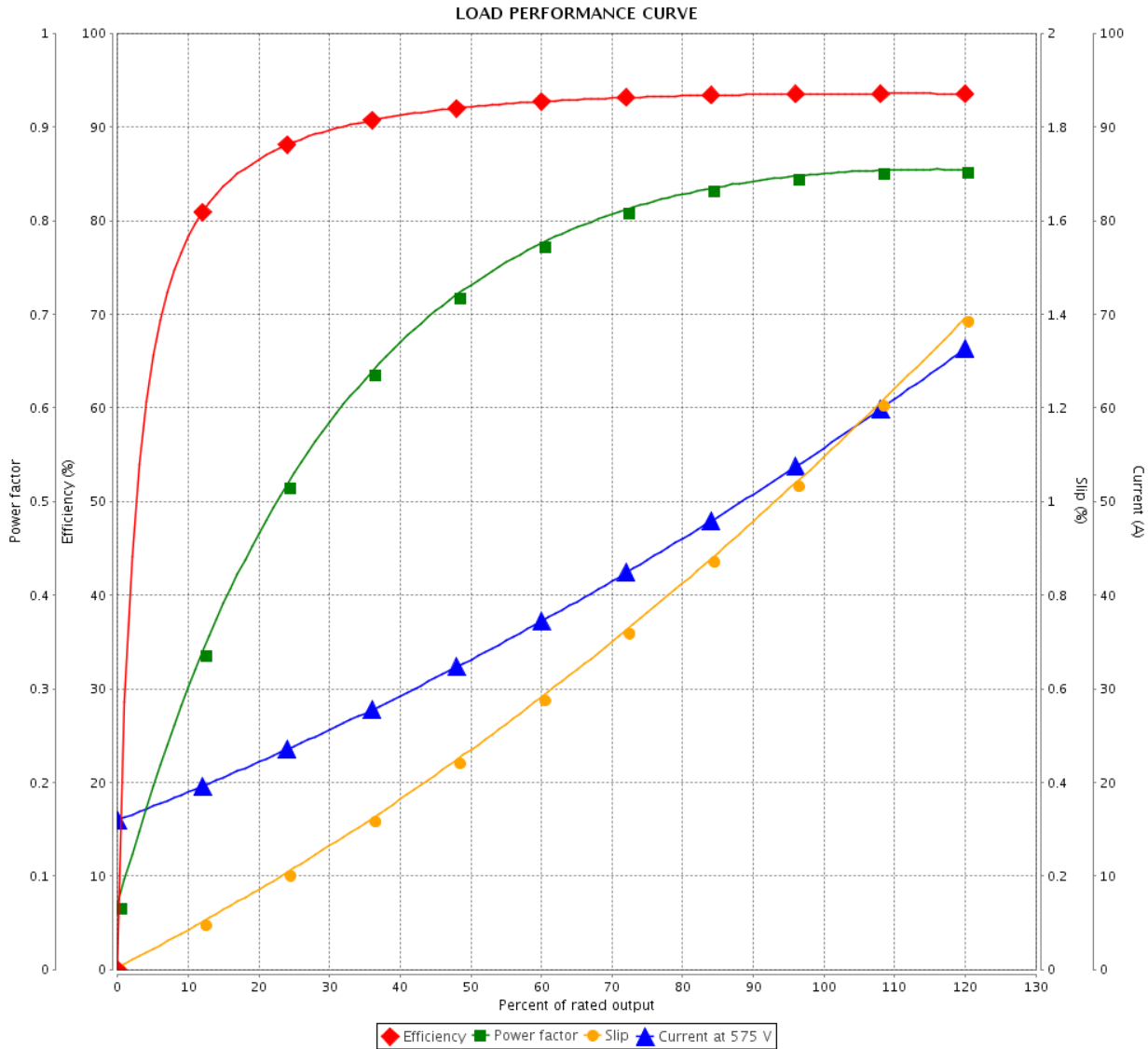
# LOAD PERFORMANCE CURVE



## Three Phase Induction Motor - Squirrel Cage

Customer : Dealers Industrial Equipment 800-469-3110  
 Customer reference : 14837653

Product line : W40 JM Pump NEMA Premium Efficiency Three-Phase      Product code : 14837653  
 Catalog # : 06036OT3H326JMV-W40



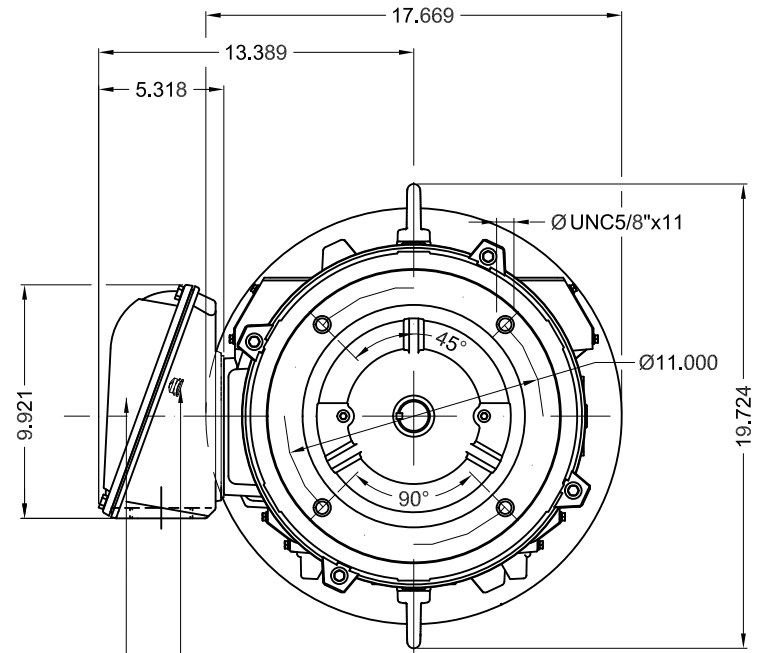
Performance : 575 V 60 Hz 2P

Rated current	: 56.8 A	Moment of inertia (J)	: 3.82 sq.ft.lb
LRC	: 6.3	Duty cycle	: Cont.(S1)
Rated torque	: 87.3 ft.lb	Insulation class	: F
Locked rotor torque	: 220 %	Service factor	: 1.25
Breakdown torque	: 229 %	Temperature rise	: 80 K
Rated speed	: 3560 rpm	Design	: B

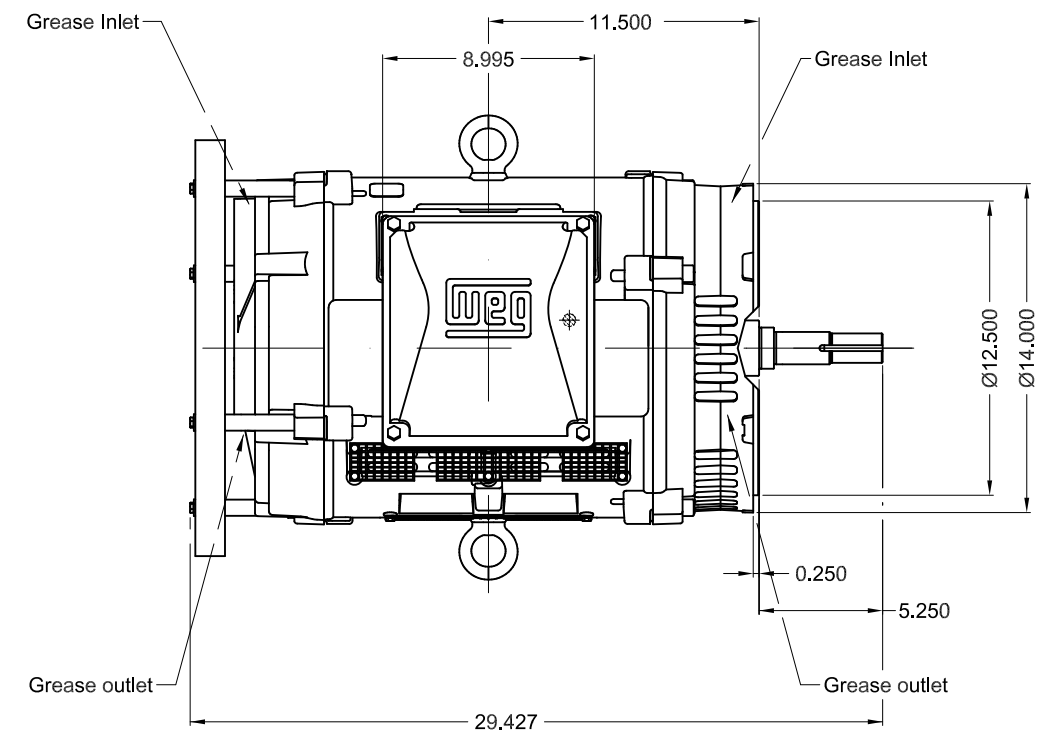
Rev.	Changes Summary	Performed	Checked	Date
Performed by			Page 2 / 2	Revision
Checked by				
Date	16/04/2019			

Dimensões em polegada  
Dimensions in inches

THIS IS AN UPDATED REVISION, THE  
PREVIOUS ONE MUST BE DISREGARDED.



Grounding for leads 5.2-35 mm<sup>2</sup> / 10-2 AWG  
Main terminal box  
NPT 2"



Color RAL 5009									
Painting plan 203A									
Mounting V18									
								SCALE	1:8
ECM		LOC		SUMMARY OF MODIFICATIONS		EXECUTED		CHECKED	
EXECUTED		USERADMIN		THREE PHASE W40 MOTOR NEMA PREMIUM EFF					
CHECKED				FRAME 324/6JM IP23 ODP					
RELEASED				CLOSE COUPLED PUMP JM TYPE   W					
REL DT		16.04.2019		WMO Jaragua do Sul		Product Engineering		SHEET 1 / 1	

60 HP 02 Poles 60Hz

A

