

# DATA SHEET



## Three Phase Induction Motor - Squirrel Cage

Customer : Dealers Industrial Equipment 800-469-3110  
Customer reference : 14837499

Product line : W40 JM Pump NEMA Premium Efficiency Three-Phase      Product code : 14837499  
Catalog # : 04036OT3H286JMV-W40

Frame	: 284/6JM	Locked rotor time	: 14s (cold) 8s (hot)
Output	: 40 HP (30 kW)	Temperature rise	: 80 K
Poles	: 2	Duty cycle	: Cont.(S1)
Frequency	: 60 Hz	Ambient temperature	: -20°C to +40°C
Rated voltage	: 575 V	Altitude	: 1000 m.a.s.l.
Rated current	: 37.4 A	Protection degree	: IP23
L. R. Amperes	: 243 A	Cooling method	: IC01 - ODP
LRC	: 6.5x(Code G)	Mounting	: W-6
No load current	: 11.9 A	Rotation <sup>1</sup>	: Both (CW and CCW)
Rated speed	: 3540 rpm	Noise level <sup>2</sup>	: 73.0 dB(A)
Slip	: 1.67 %	Starting method	: Direct On Line
Rated torque	: 58.5 ft.lb	Approx. weight <sup>3</sup>	: 370 lb
Locked rotor torque	: 190 %		
Breakdown torque	: 260 %		
Insulation class	: F		
Service factor	: 1.25		
Moment of inertia (J)	: 2.02 sq.ft.lb		
Design	: B		

Output	25%	50%	75%	100%	Foundation loads
Efficiency (%)	91.5	91.7	92.4	92.4	Max. traction
Power Factor	0.51	0.76	0.84	0.87	Max. compression

	<u>Drive end</u>	<u>Non drive end</u>
Bearing type	: 6311 Z C3	: 6211 Z C3
Sealing	: Without Bearing Seal	: Without Bearing Seal
Lubrication interval	: 11517 h	: 14226 h
Lubricant amount	: 18 g	: 11 g
Lubricant type	: Mobil Polyrex EM	

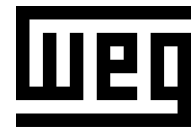
Notes  
downloaded from <http://dealerselectric.com>

This revision replaces and cancel the previous one, which must be eliminated.  
(1) Looking the motor from the shaft end.  
(2) Measured at 1m and with tolerance of +3dB(A).  
(3) Approximate weight subject to changes after manufacturing process.  
(4) At 100% of full load.

These are average values based on tests with sinusoidal power supply, subject to the tolerances stipulated in NEMA MG-1.

Rev.	Changes Summary	Performed	Checked	Date
Performed by				
Checked by			Page	Revision
Date	16/04/2019		1 / 2	

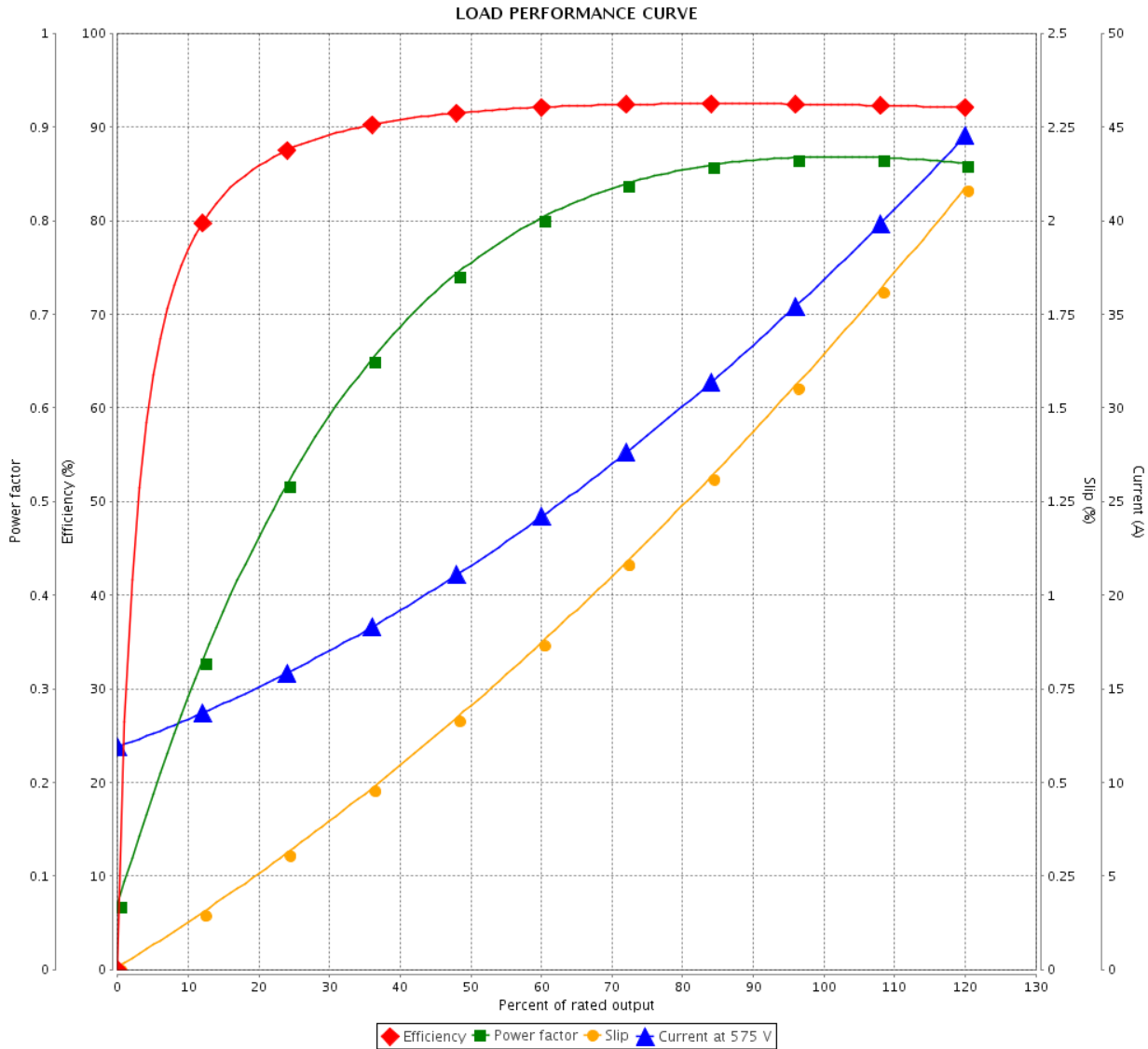
# LOAD PERFORMANCE CURVE



## Three Phase Induction Motor - Squirrel Cage

Customer : Dealers Industrial Equipment 800-469-3110  
 Customer reference : 14837499

Product line : W40 JM Pump NEMA Premium Efficiency Three-Phase      Product code : 14837499  
 Catalog # : 04036OT3H286JMV-W40



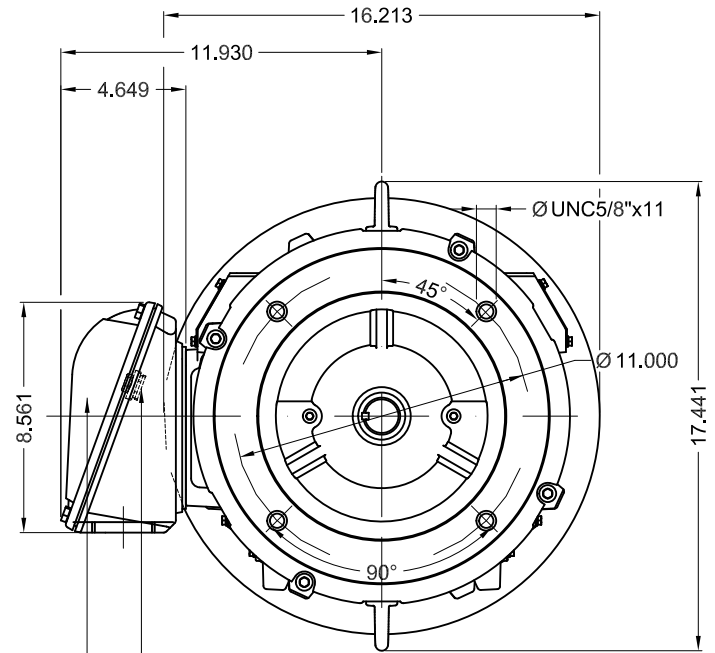
Performance : 575 V 60 Hz 2P

Rated current : 37.4 A	Moment of inertia (J) : 2.02 sq.ft.lb
LRC : 6.5	Duty cycle : Cont.(S1)
Rated torque : 58.5 ft.lb	Insulation class : F
Locked rotor torque : 190 %	Service factor : 1.25
Breakdown torque : 260 %	Temperature rise : 80 K
Rated speed : 3540 rpm	Design : B

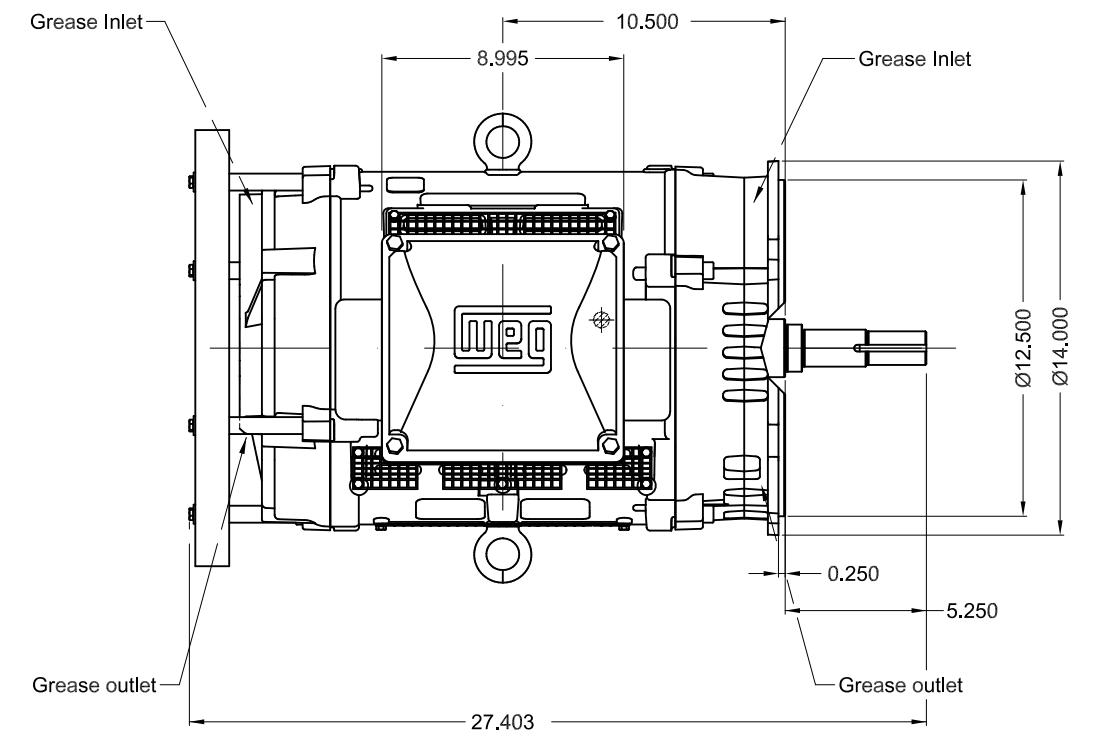
Rev.	Changes Summary	Performed	Checked	Date
Performed by			Page 2 / 2	Revision
Checked by				
Date	16/04/2019			

Dimensões em polegada  
Dimensions in inches

THIS IS AN UPDATED REVISION, THE  
PREVIOUS ONE MUST BE DISREGARDED.



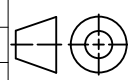
Grounding for leads 5.2-35 mm<sup>2</sup> / 10-2 AWG  
Main terminal box  
NPT 1 1/2"



Color RAL 5009  
Painting plan 203A  
Mounting V18

SCALE 1:7

ECM	LOC	SUMMARY OF MODIFICATIONS	EXECUTED	CHECKED	RELEASED	DATE	VER
EXECUTED	USERADMIN	THREE PHASE W40 MOTOR NEMA PREMIUM EFF					
CHECKED		FRAME 284/6JM IP23 ODP					
RELEASED		CLOSE COUPLED PUMP JM TYPE   W					
REL DT	16.04.2019	WMO Jaragua do Sul	Product Engineering	SHEET	1 / 1		



40 HP 02 Poles 60Hz

A