

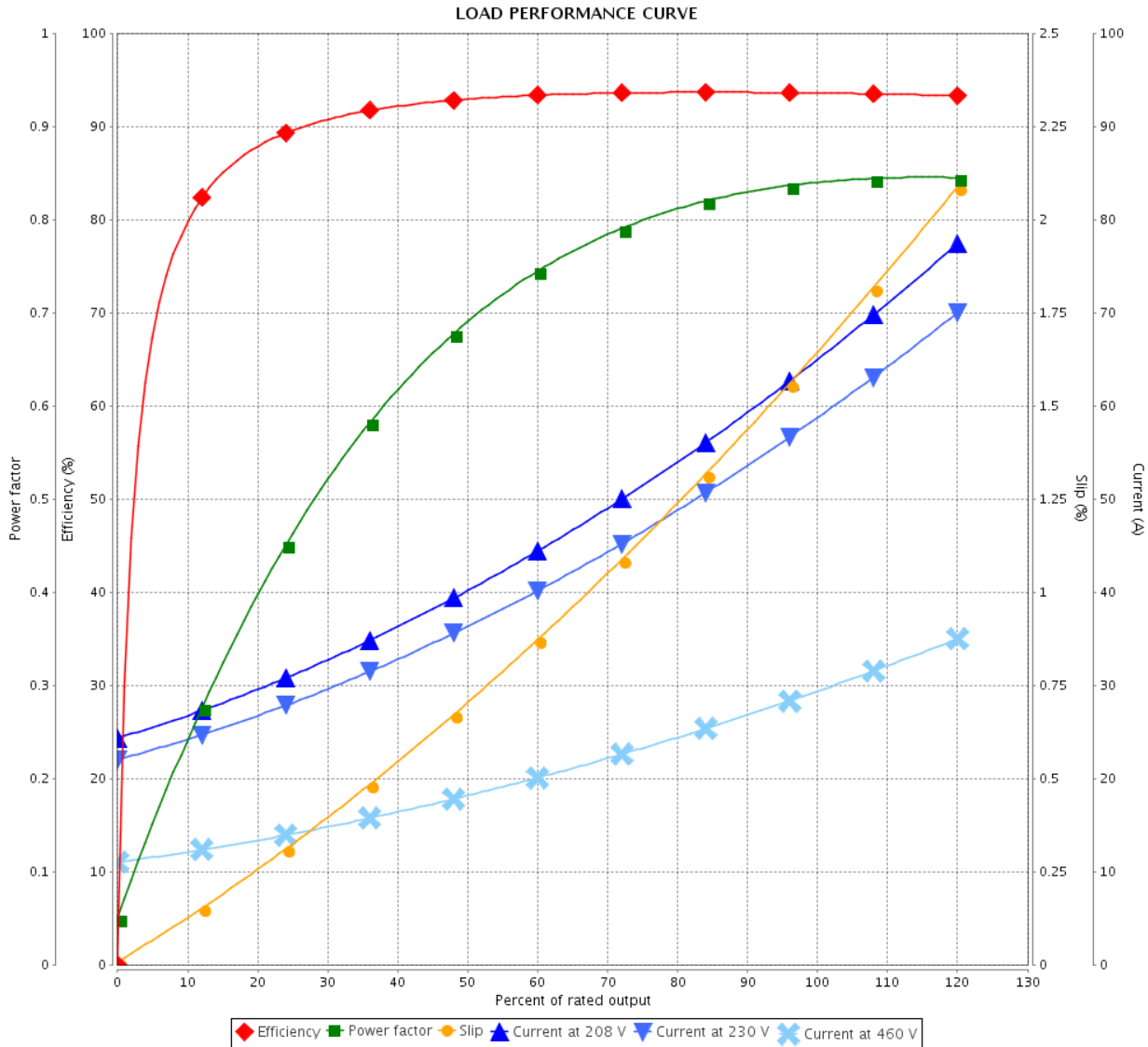
LOAD PERFORMANCE CURVE



Three Phase Induction Motor - Squirrel Cage

Customer : Dealers Industrial Equipment 800-469-3110
 Customer reference : 14836813

Product line : W40 JP Pump NEMA Premium Efficiency Three-Phase Product code : 14836813
 Catalog # : 02518OT3E284JPV-W40



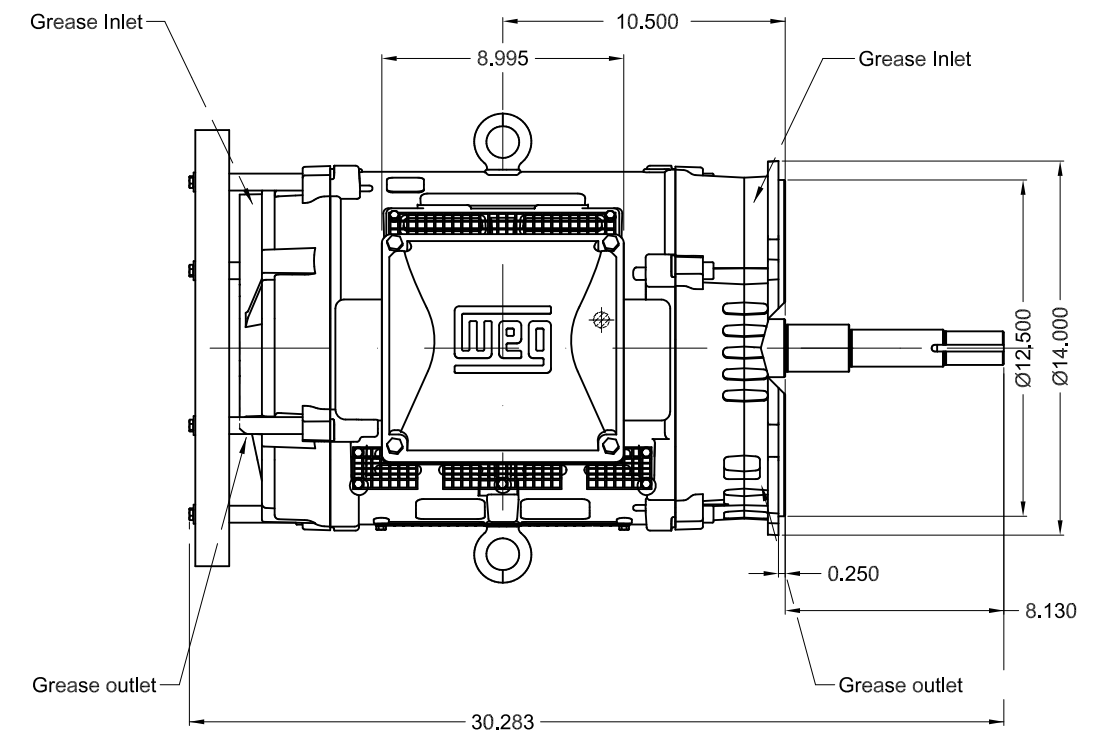
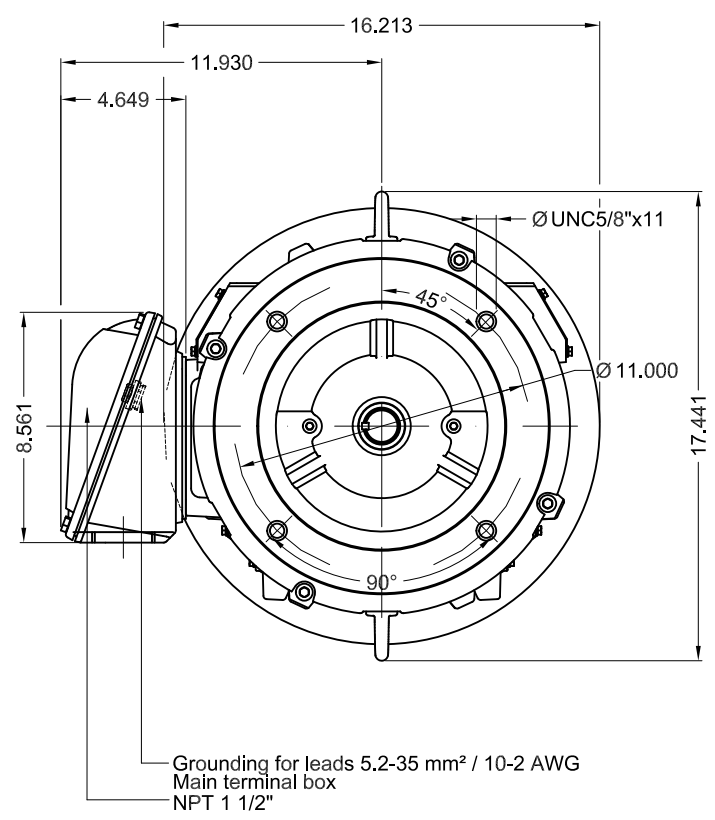
Performance : 208-230/460 V 60 Hz 4P

| | | | |
|---------------------|--------------------|-----------------------|-----------------|
| Rated current | : 65.2-59.0/29.5 A | Moment of inertia (J) | : 3.71 sq.ft.lb |
| LRC | : 6.6 | Duty cycle | : Cont.(S1) |
| Rated torque | : 73.2 ft.lb | Insulation class | : F |
| Locked rotor torque | : 270 % | Service factor | : 1.25 |
| Breakdown torque | : 280 % | Temperature rise | : 80 K |
| Rated speed | : 1770 rpm | Design | : B |

| Rev. | Changes Summary | Performed | Checked | Date |
|--------------|-----------------|-----------|---------------|----------|
| | | | | |
| Performed by | | | Page 2 / 2 | Revision |
| Checked by | | | | |
| Date | 16/04/2019 | | | |

Dimensões em polegada
Dimensions in inches

THIS IS AN UPDATED REVISION, THE
PREVIOUS ONE MUST BE DISREGARDED.



| | | | | | | | | | |
|----------------|------------|--|----------------|---------------------|----------|---------|----------|------|-----|
| Color RAL 5009 | | Painting plan 203A | | Mounting V18 | | SCALE | | 1:7 | |
| ECM | LOC | SUMMARY OF MODIFICATIONS | | | EXECUTED | CHECKED | RELEASED | DATE | VER |
| EXECUTED | USERADMIN | THREE PHASE W40 MOTOR NEMA PREMIUM EFF | | | | | | | |
| CHECKED | | FRAME 284/6JP IP23 ODP | | | | | | | |
| RELEASED | | CLOSE COUPLED PUMP JP TYPE W | | | | | | | |
| REL DT | 16.04.2019 | WMO | Jaragua do Sul | Product Engineering | SHEET | 1 / 1 | | | |

25 HP 04 Poles 60Hz

A

