

DATA SHEET



Three Phase Induction Motor - Squirrel Cage

Customer : Dealers Industrial Equipment 800-469-3110		Customer reference : 14836796				
Product line : W40 JP Pump NEMA Premium Efficiency Three-Phase		Product code : 14836796				
		Catalog # : 07536OT3E364JPV-W40				
Frame : 364/5JP	Locked rotor time : 34s (cold) 19s (hot)	Output : 75 HP (55 kW)	Temperature rise : 80 K			
Poles : 2	Duty cycle : Cont.(S1)	Frequency : 60 Hz	Ambient temperature : -20°C to +40°C			
Rated voltage : 208-230/460 V	Altitude : 1000 m.a.s.l.	Rated current : 188-170/84.8 A	Protection degree : IP23			
L. R. Amperes : 1238-1119/560 A	Cooling method : IC01 - ODP	LRC : 6.6x(Code G)	Mounting : W-6			
No load current : 37.1-43.0/21.5 A	Rotation ¹ : Both (CW and CCW)	Rated speed : 3560 rpm	Noise level ² : 84.0 dB(A)			
Slip : 1.11 %	Starting method : Direct On Line	Rated torque : 109 ft.lb	Approx. weight ³ : 736 lb			
Locked rotor torque : 200 %		Breakdown torque : 250 %				
Insulation class : F		Service factor : 1.25				
Moment of inertia (J) : 6.40 sq.ft.lb		Design : B				
Output	25%	50%	75%	100%		
Efficiency (%)	91.0	91.7	93.0	93.6		
Power Factor	0.56	0.77	0.84	0.87		
Foundation loads						
Max. traction : 651 lb						
Max. compression : 1388 lb						
		<u>Drive end</u>		<u>Non drive end</u>		
Bearing type	:	6314 C3		6212 Z C3		
Sealing	:	Without Bearing Seal		Without Bearing Seal		
Lubrication interval	:	7209 h		12143 h		
Lubricant amount	:	27 g		13 g		
Lubricant type	:	Mobil Polyrex EM				
Notes downloaded from http://dealerselectric.com						
This revision replaces and cancel the previous one, which must be eliminated. (1) Looking the motor from the shaft end. (2) Measured at 1m and with tolerance of +3dB(A). (3) Approximate weight subject to changes after manufacturing process. (4) At 100% of full load.			These are average values based on tests with sinusoidal power supply, subject to the tolerances stipulated in NEMA MG-1.			
Rev.	Changes Summary			Performed	Checked	Date
Performed by						
Checked by					Page	Revision
Date	16/04/2019				1 / 2	

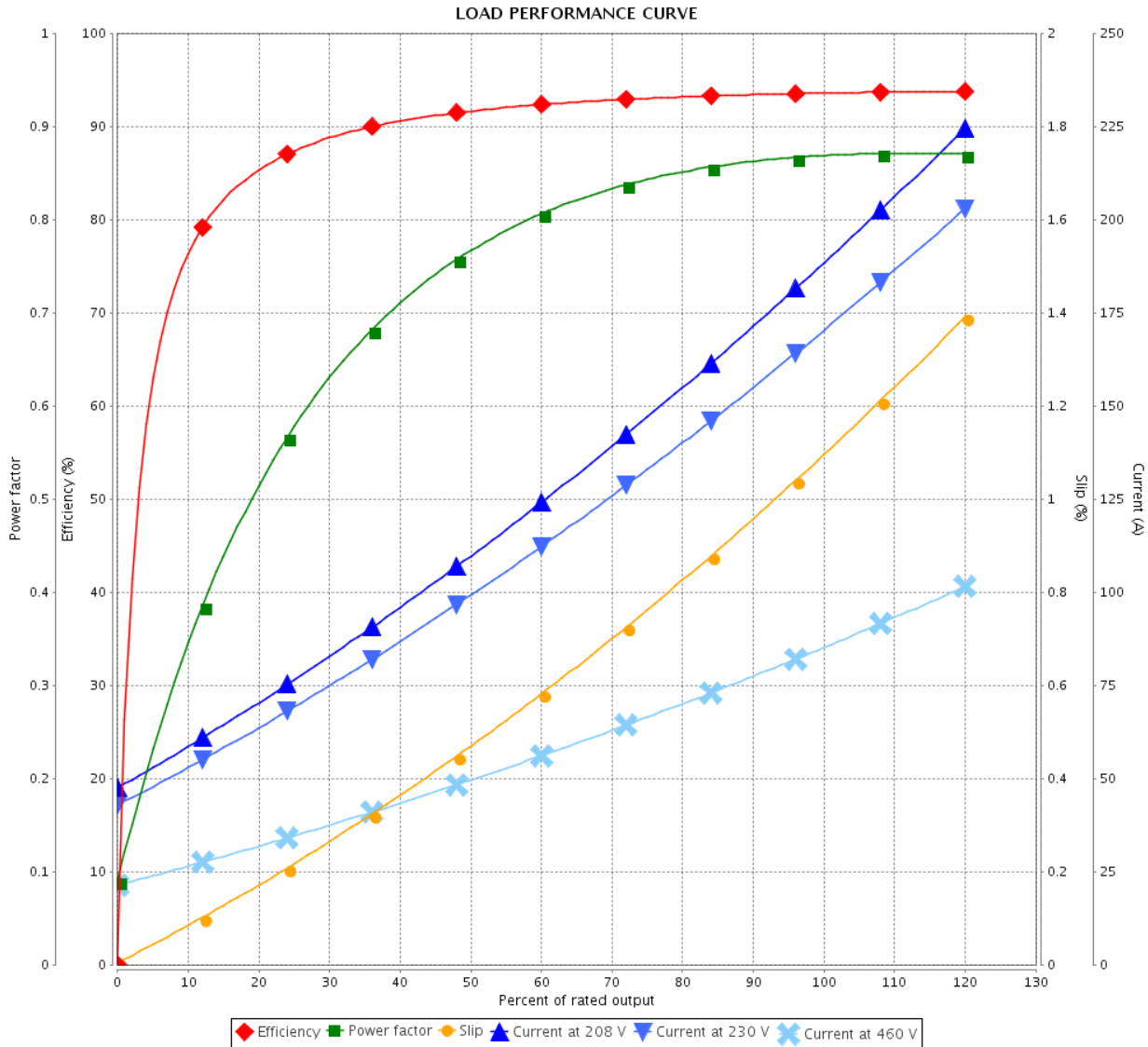
LOAD PERFORMANCE CURVE



Three Phase Induction Motor - Squirrel Cage

Customer : Dealers Industrial Equipment 800-469-3110
 Customer reference : 14836796

Product line : W40 JP Pump NEMA Premium Efficiency Three-Phase Product code : 14836796
 Catalog # : 07536OT3E364JPV-W40



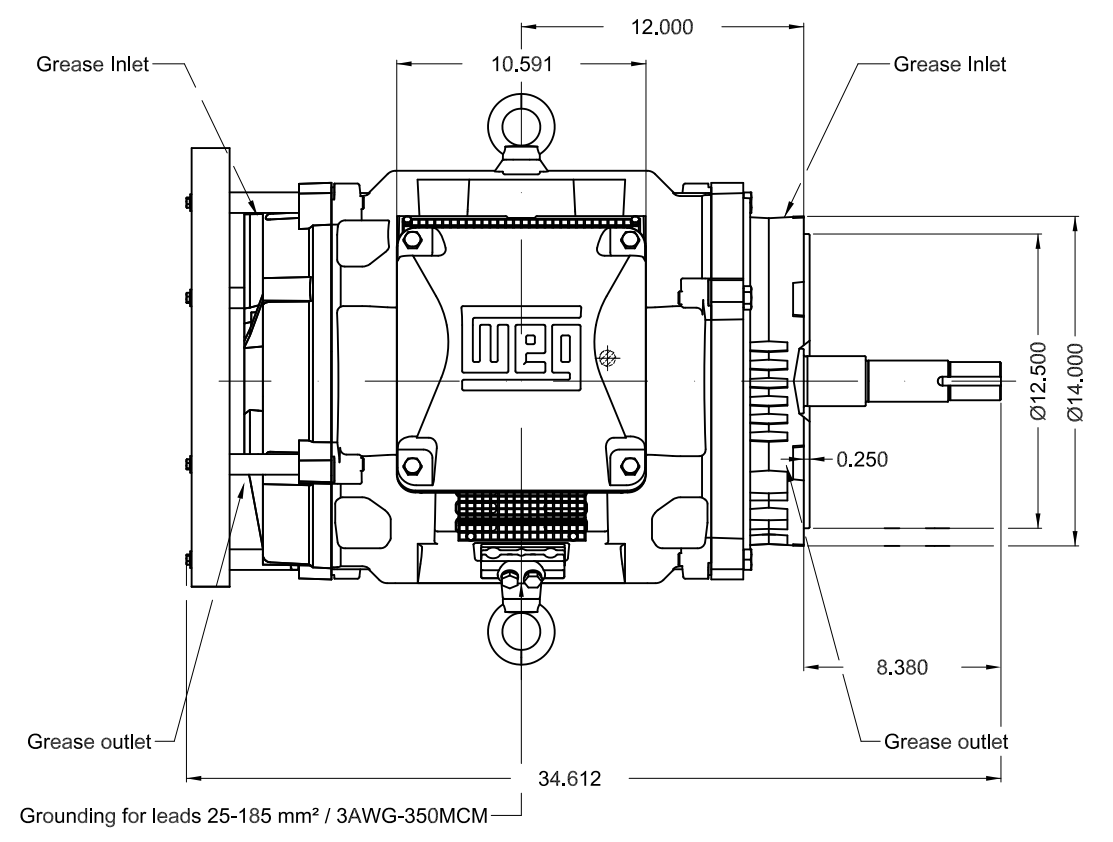
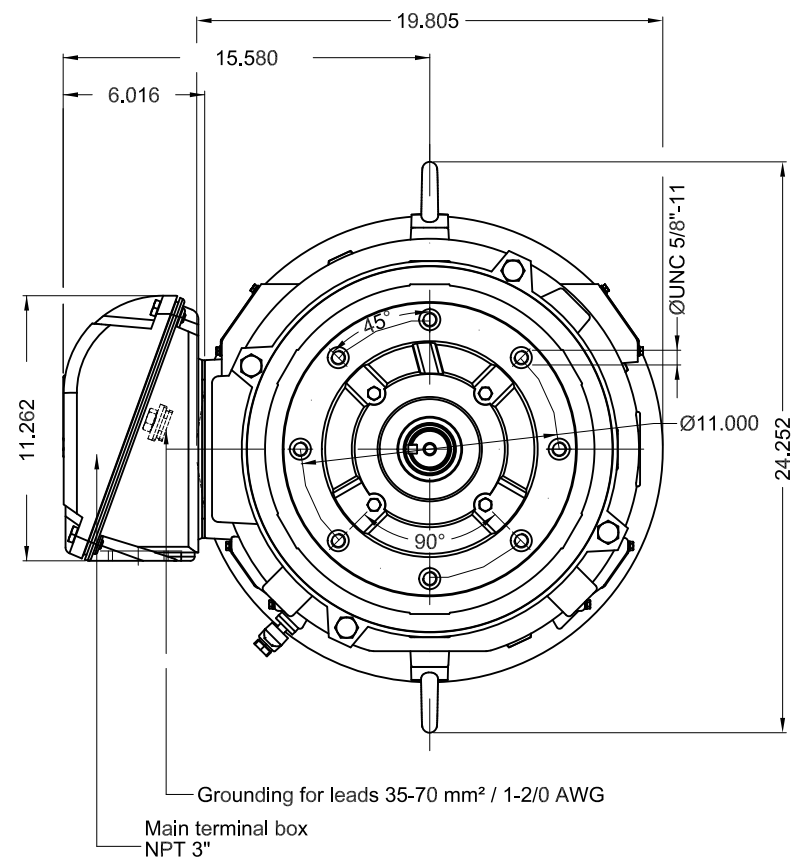
Performance : 208-230/460 V 60 Hz 2P

Rated current : 188-170/84.8 A	Moment of inertia (J) : 6.40 sq.ft.lb
LRC : 6.6	Duty cycle : Cont.(S1)
Rated torque : 109 ft.lb	Insulation class : F
Locked rotor torque : 200 %	Service factor : 1.25
Breakdown torque : 250 %	Temperature rise : 80 K
Rated speed : 3560 rpm	Design : B

Rev.	Changes Summary	Performed	Checked	Date
Performed by			Page	Revision
Checked by				
Date				

Dimensões em polegada
Dimensions in inches

THIS IS AN UPDATED REVISION, THE
PREVIOUS ONE MUST BE DISREGARDED.



Color RAL 5009											
Painting plan 203A											
Mounting V18											
								SCALE	1:8		
ECM	LOC	SUMMARY OF MODIFICATIONS					EXECUTED	CHECKED	RELEASED	DATE	VER
EXECUTED	USERADMIN	THREE PHASE W40 MOTOR NEMA PREMIUM EFF									
CHECKED		FRAME 364/5JP IP23 ODP									
RELEASED		CLOSE COUPLED PUMP JP TYPE W									
REL DT	16.04.2019	WMO	Jaragua do Sul	Product Engineering	SHEET	1 / 1					

75 HP 02 Poles 60Hz

A

