

DATA SHEET



Three Phase Induction Motor - Squirrel Cage

Customer : Dealers Industrial Equipment 800-469-3110		Customer reference : 14836793				
Product line : W40 JP Pump NEMA Premium Efficiency Three-Phase		Product code : 14836793	Catalog # : 06036OT3V326JPV-W40			
Frame : 324/6JP Output : 60 HP (45 kW) Poles : 2 Frequency : 60 Hz Rated voltage : 200/400 V Rated current : 163/81.7 A L. R. Amperes : 1029/514 A LRC : 6.3x(Code G) No load current : 46.0/23.0 A Rated speed : 3560 rpm Slip : 1.11 % Rated torque : 87.3 ft.lb Locked rotor torque : 220 % Breakdown torque : 229 % Insulation class : F Service factor : 1.25 Moment of inertia (J) : 3.82 sq.ft.lb Design : B	Locked rotor time : 21s (cold) 12s (hot) Temperature rise : 80 K Duty cycle : Cont.(S1) Ambient temperature : -20°C to +40°C Altitude : 1000 m.a.s.l. Protection degree : IP23 Cooling method : IC01 - ODP Mounting : W-6 Rotation ¹ : Both (CW and CCW) Noise level ² : 75.0 dB(A) Starting method : Direct On Line Approx. weight ³ : 514 lb					
Output	25%	50%	75%	100%	Foundation loads	
Efficiency (%)	91.7	92.4	93.0	93.6	Max. traction	
Power Factor	0.51	0.73	0.82	0.85	Max. compression	
		<u>Drive end</u>		<u>Non drive end</u>		
Bearing type	:	6312 Z C3		6211 Z C3		
Sealing	:	Without Bearing Seal		Without Bearing Seal		
Lubrication interval	:	9829 h		14226 h		
Lubricant amount	:	21 g		11 g		
Lubricant type	:	Mobil Polyrex EM				
Notes downloaded from http://dealerselectric.com						
This revision replaces and cancel the previous one, which must be eliminated. (1) Looking the motor from the shaft end. (2) Measured at 1m and with tolerance of +3dB(A). (3) Approximate weight subject to changes after manufacturing process. (4) At 100% of full load.			These are average values based on tests with sinusoidal power supply, subject to the tolerances stipulated in NEMA MG-1.			
Rev.	Changes Summary			Performed	Checked	Date
Performed by						
Checked by					Page	Revision
Date	16/04/2019				1 / 2	

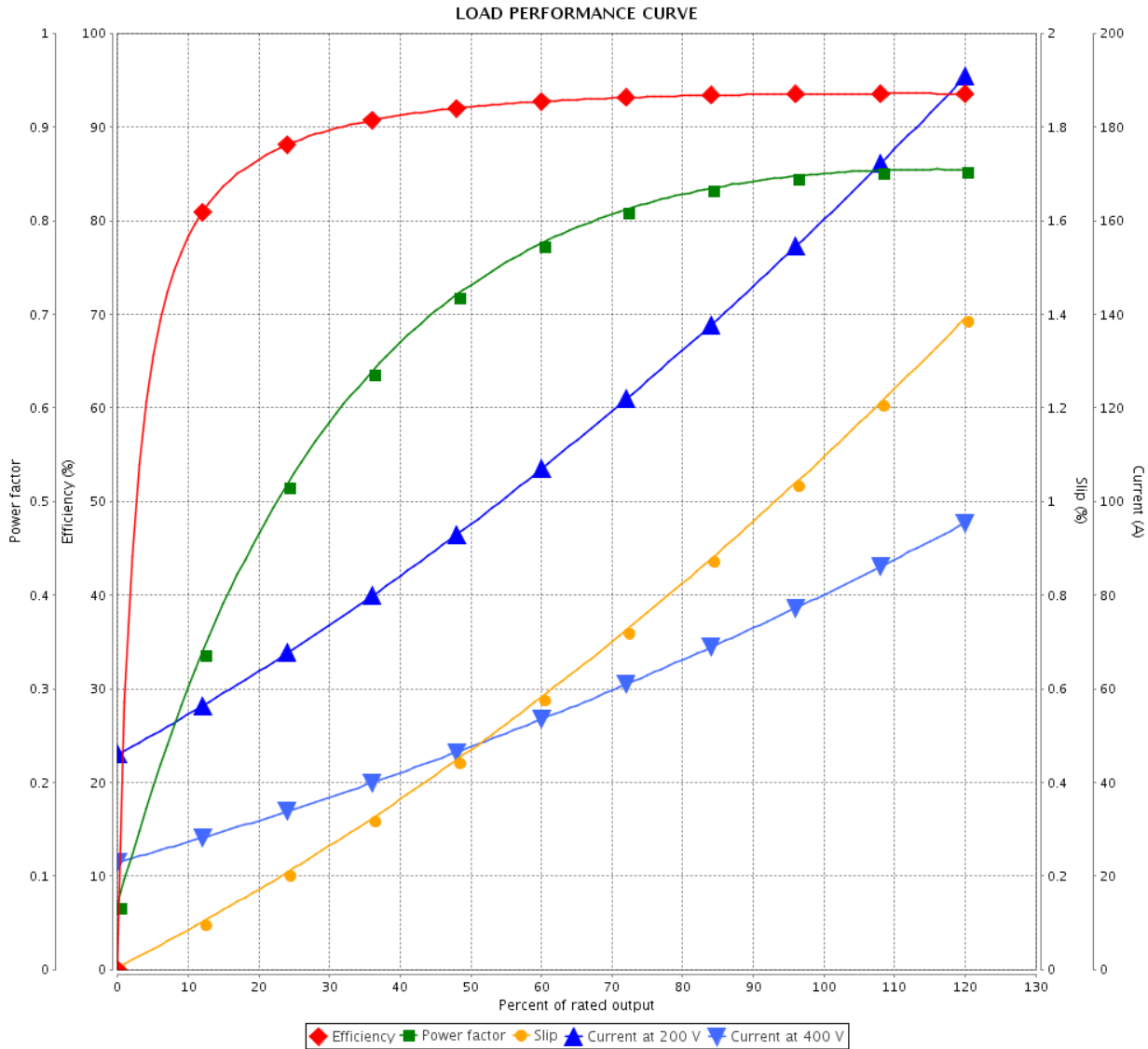
LOAD PERFORMANCE CURVE



Three Phase Induction Motor - Squirrel Cage

Customer : Dealers Industrial Equipment 800-469-3110
 Customer reference : 14836793

Product line : W40 JP Pump NEMA Premium Efficiency Three-Phase Product code : 14836793
 Catalog # : 06036OT3V326JPV-W40



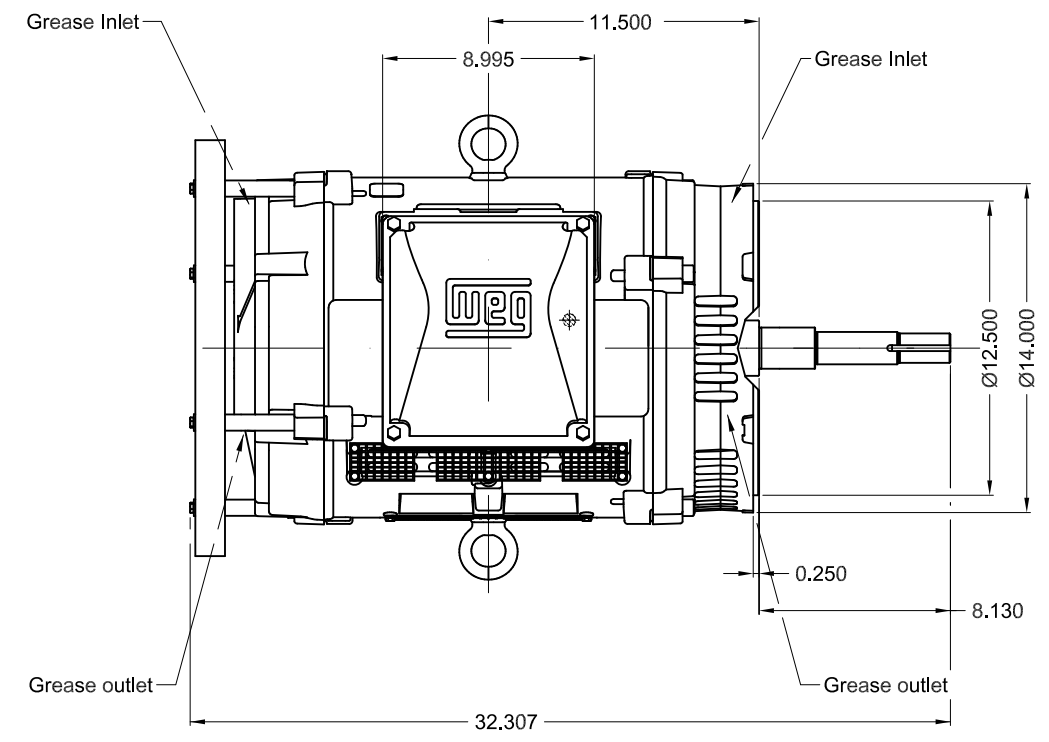
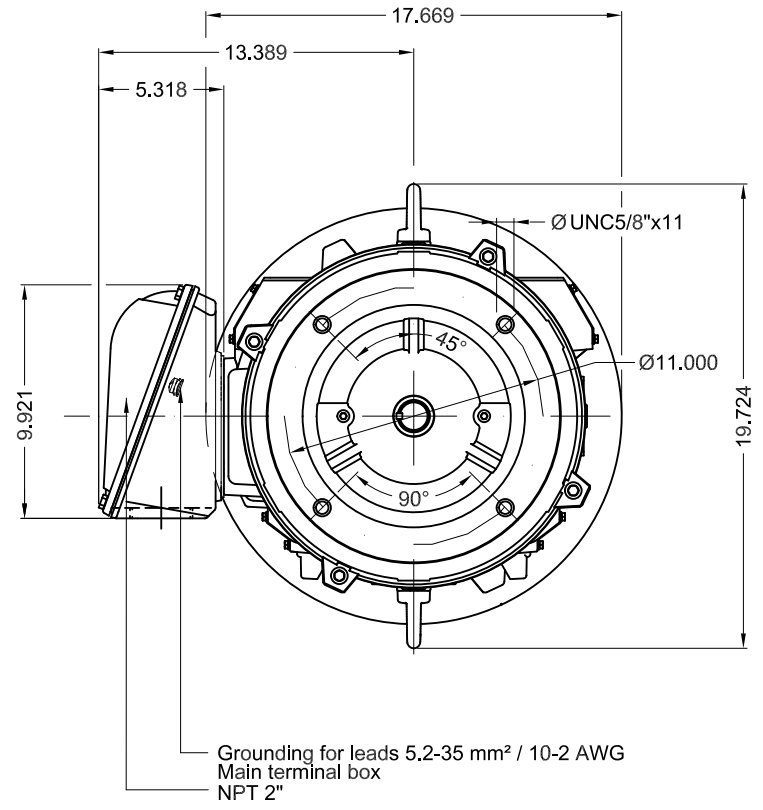
Performance : 200/400 V 60 Hz 2P


Rated current : 163/81.7 A	Moment of inertia (J) : 3.82 sq.ft.lb
LRC : 6.3	Duty cycle : Cont.(S1)
Rated torque : 87.3 ft.lb	Insulation class : F
Locked rotor torque : 220 %	Service factor : 1.25
Breakdown torque : 229 %	Temperature rise : 80 K
Rated speed : 3560 rpm	Design : B

Rev.	Changes Summary	Performed	Checked	Date
Performed by			Page 2 / 2	Revision
Checked by				
Date	16/04/2019			

Dimensões em polegada
Dimensions in inches

THIS IS AN UPDATED REVISION, THE
PREVIOUS ONE MUST BE DISREGARDED.



Color RAL 5009											
Painting plan 203A											
Mounting V18											
								SCALE	1:8		
ECM	LOC	SUMMARY OF MODIFICATIONS					EXECUTED	CHECKED	RELEASED	DATE	VER
EXECUTED	USERADMIN	THREE PHASE W40 MOTOR NEMA PREMIUM EFF									
CHECKED		FRAME 324/6JP IP23 ODP									
RELEASED		CLOSE COUPLED PUMP JP TYPE W									
REL DT	16.04.2019	WMO	Jaragua do Sul	Product Engineering	SHEET	1 / 1					

60 HP 02 Poles 60Hz

A