

DATA SHEET



Three Phase Induction Motor - Squirrel Cage

Customer : Dealers Industrial Equipment 800-469-3110																			
Customer reference : 14836791																			
Product line : W40 JP Pump NEMA Premium Efficiency Three-Phase	Product code : 14836791 Catalog # : 05018OT3V326JPV-W40																		
Frame : 324/6JP Output : 50 HP (37 kW) Poles : 4 Frequency : 60 Hz Rated voltage : 200/400 V Rated current : 135/67.3 A L. R. Amperes : 848/424 A LRC : 6.3x(Code G) No load current : 53.4/26.7 A Rated speed : 1775 rpm Slip : 1.39 % Rated torque : 146 ft.lb Locked rotor torque : 240 % Breakdown torque : 240 % Insulation class : F Service factor : 1.25 Moment of inertia (J) : 7.08 sq.ft.lb Design : B	Locked rotor time : 19s (cold) 11s (hot) Temperature rise : 80 K Duty cycle : Cont.(S1) Ambient temperature : -20°C to +40°C Altitude : 1000 m.a.s.l. Protection degree : IP23 Cooling method : IC01 - ODP Mounting : W-6 Rotation ¹ : Both (CW and CCW) Noise level ² : 66.0 dB(A) Starting method : Direct On Line Approx. weight ³ : 542 lb																		
<table border="1"> <tr> <td>Output</td> <td>25%</td> <td>50%</td> <td>75%</td> <td>100%</td> </tr> <tr> <td>Efficiency (%)</td> <td>94.0</td> <td>94.1</td> <td>94.5</td> <td>94.5</td> </tr> <tr> <td>Power Factor</td> <td>0.44</td> <td>0.70</td> <td>0.80</td> <td>0.84</td> </tr> </table>	Output	25%	50%	75%	100%	Efficiency (%)	94.0	94.1	94.5	94.5	Power Factor	0.44	0.70	0.80	0.84	Foundation loads Max. traction Max. compression			
Output	25%	50%	75%	100%															
Efficiency (%)	94.0	94.1	94.5	94.5															
Power Factor	0.44	0.70	0.80	0.84															
<table border="1"> <tr> <td></td> <td style="text-align: center;"><u>Drive end</u></td> <td style="text-align: center;"><u>Non drive end</u></td> </tr> <tr> <td>Bearing type :</td> <td style="text-align: center;">6312 Z C3</td> <td style="text-align: center;">6211 Z C3</td> </tr> <tr> <td>Sealing :</td> <td style="text-align: center;">Without Bearing Seal</td> <td style="text-align: center;">Without Bearing Seal</td> </tr> <tr> <td>Lubrication interval :</td> <td style="text-align: center;">20000 h</td> <td style="text-align: center;">20000 h</td> </tr> <tr> <td>Lubricant amount :</td> <td style="text-align: center;">21 g</td> <td style="text-align: center;">11 g</td> </tr> <tr> <td>Lubricant type :</td> <td colspan="2" style="text-align: center;">Mobil Polyrex EM</td> </tr> </table>			<u>Drive end</u>	<u>Non drive end</u>	Bearing type :	6312 Z C3	6211 Z C3	Sealing :	Without Bearing Seal	Without Bearing Seal	Lubrication interval :	20000 h	20000 h	Lubricant amount :	21 g	11 g	Lubricant type :	Mobil Polyrex EM	
	<u>Drive end</u>	<u>Non drive end</u>																	
Bearing type :	6312 Z C3	6211 Z C3																	
Sealing :	Without Bearing Seal	Without Bearing Seal																	
Lubrication interval :	20000 h	20000 h																	
Lubricant amount :	21 g	11 g																	
Lubricant type :	Mobil Polyrex EM																		
Notes downloaded from http://dealerselectric.com																			
This revision replaces and cancel the previous one, which must be eliminated. (1) Looking the motor from the shaft end. (2) Measured at 1m and with tolerance of +3dB(A). (3) Approximate weight subject to changes after manufacturing process. (4) At 100% of full load.	These are average values based on tests with sinusoidal power supply, subject to the tolerances stipulated in NEMA MG-1.																		
Rev.	Changes Summary	Performed	Checked	Date															
Performed by																			
Checked by			Page	Revision															
Date	16/04/2019		1 / 2																

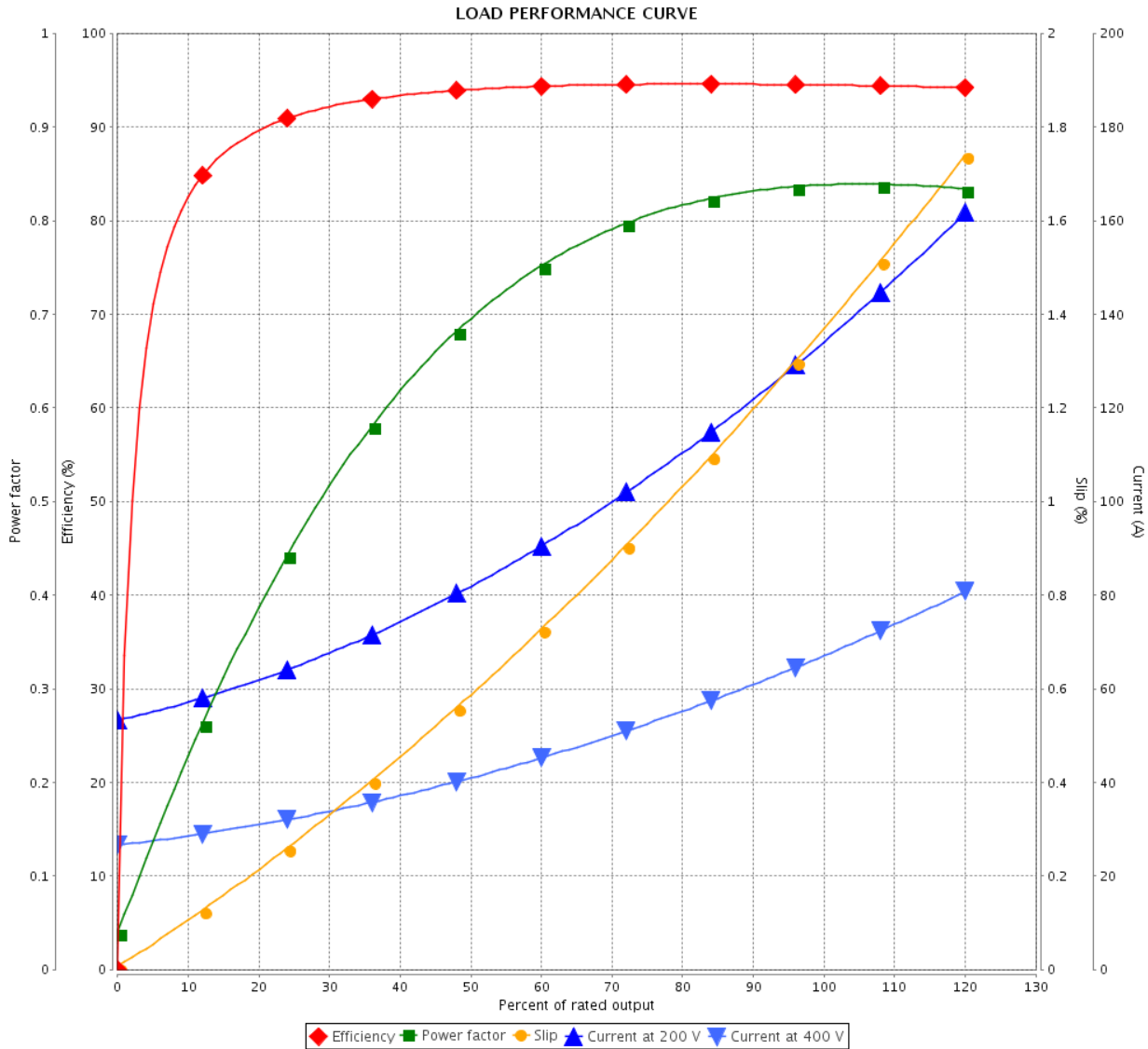
LOAD PERFORMANCE CURVE

Three Phase Induction Motor - Squirrel Cage



Customer : Dealers Industrial Equipment 800-469-3110
 Customer reference : 14836791

Product line : W40 JP Pump NEMA Premium Efficiency Three-Phase Product code : 14836791
 Catalog # : 05018OT3V326JPV-W40



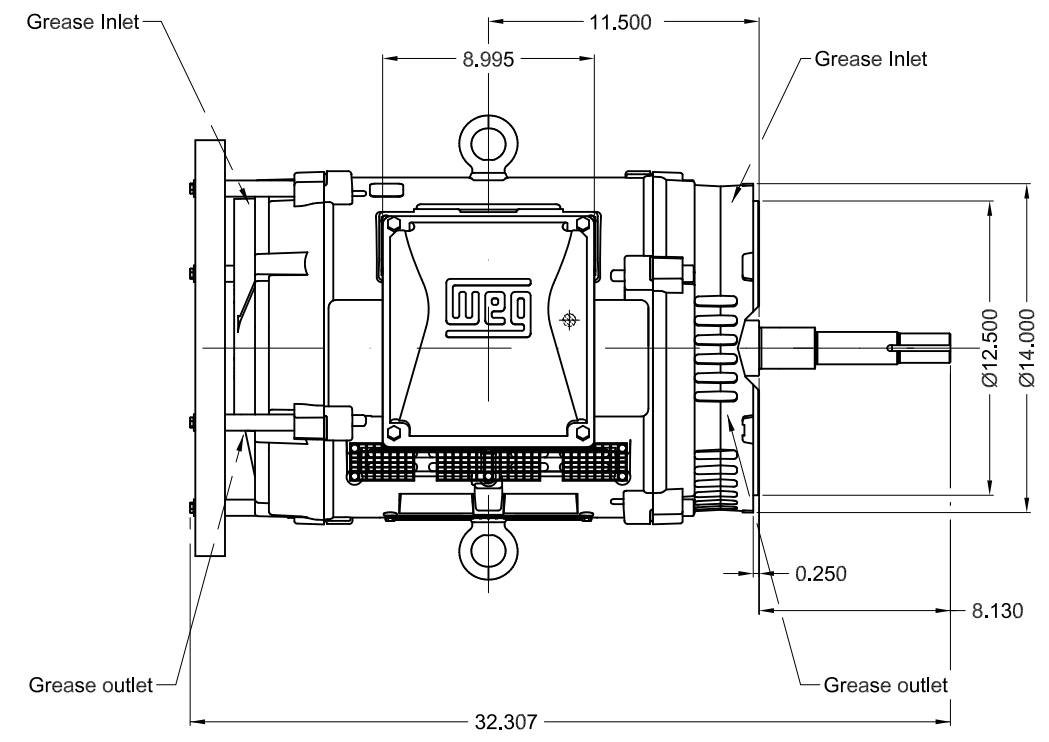
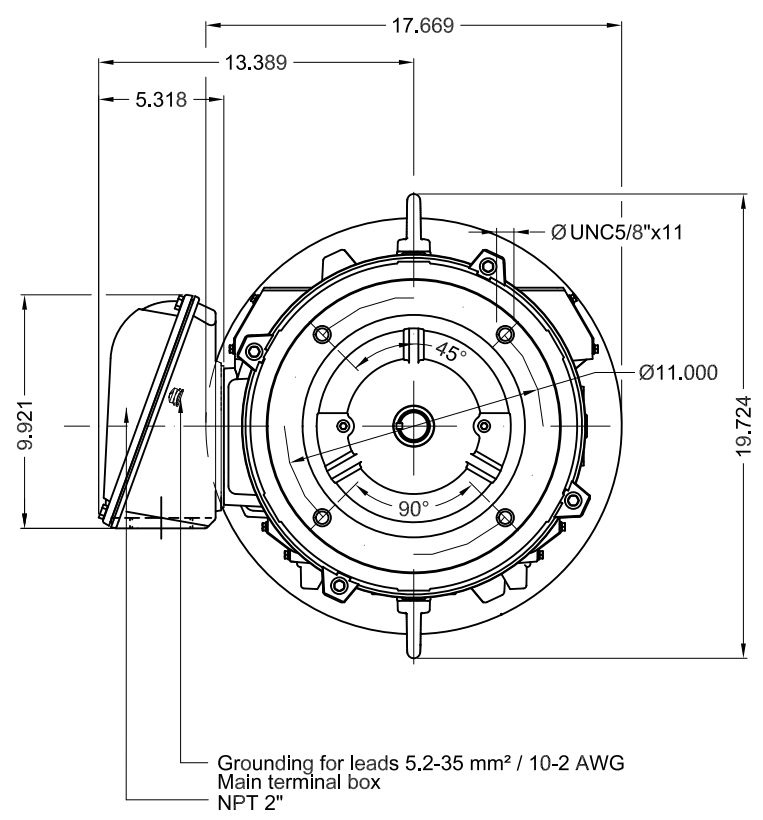
Performance : 200/400 V 60 Hz 4P

Rated current : 135/67.3 A LRC : 6.3 Rated torque : 146 ft.lb Locked rotor torque : 240 % Breakdown torque : 240 % Rated speed : 1775 rpm	Moment of inertia (J) : 7.08 sq.ft.lb Duty cycle : Cont.(S1) Insulation class : F Service factor : 1.25 Temperature rise : 80 K Design : B
--	---

Rev.	Changes Summary	Performed	Checked	Date
Performed by	16/04/2019	Page		Revision
Checked by		2 / 2		
Date				

Dimensões em polegada
Dimensions in inches

THIS IS AN UPDATED REVISION, THE
PREVIOUS ONE MUST BE DISREGARDED.



Color RAL 5009											
Painting plan 203A											
Mounting V18											
								SCALE	1:8		
ECM	LOC	SUMMARY OF MODIFICATIONS					EXECUTED	CHECKED	RELEASED	DATE	VER
EXECUTED	USERADMIN	THREE PHASE W40 MOTOR NEMA PREMIUM EFF									
CHECKED		FRAME 324/6JP IP23 ODP									
RELEASED		CLOSE COUPLED PUMP JP TYPE W									
REL DT	16.04.2019	WMO	Jaragua do Sul	Product Engineering	SHEET	1 / 1					

50 HP 04 Poles 60Hz

A

