

# DATA SHEET



## Three Phase Induction Motor - Squirrel Cage

|                                                                                                                                                                                                                                                                                        |                                                   |      |                                                                                                                          |                        |          |
|----------------------------------------------------------------------------------------------------------------------------------------------------------------------------------------------------------------------------------------------------------------------------------------|---------------------------------------------------|------|--------------------------------------------------------------------------------------------------------------------------|------------------------|----------|
| Customer                                                                                                                                                                                                                                                                               | : Dealers Industrial Equipment 800-469-3110       |      |                                                                                                                          |                        |          |
| Customer reference                                                                                                                                                                                                                                                                     | : 14836783                                        |      |                                                                                                                          |                        |          |
| Product line                                                                                                                                                                                                                                                                           | : W40 JP Pump NEMA Premium Efficiency Three-Phase |      | Product code :                                                                                                           | 14836783               |          |
|                                                                                                                                                                                                                                                                                        |                                                   |      | Catalog # :                                                                                                              | 04018OT3E324JPV-W40    |          |
| Frame                                                                                                                                                                                                                                                                                  | : 324/6JP                                         |      | Locked rotor time                                                                                                        | : 23s (cold) 13s (hot) |          |
| Output                                                                                                                                                                                                                                                                                 | : 40 HP (30 kW)                                   |      | Temperature rise                                                                                                         | : 80 K                 |          |
| Poles                                                                                                                                                                                                                                                                                  | : 4                                               |      | Duty cycle                                                                                                               | : Cont.(S1)            |          |
| Frequency                                                                                                                                                                                                                                                                              | : 60 Hz                                           |      | Ambient temperature                                                                                                      | : -20°C to +40°C       |          |
| Rated voltage                                                                                                                                                                                                                                                                          | : 208-230/460 V                                   |      | Altitude                                                                                                                 | : 1000 m.a.s.l.        |          |
| Rated current                                                                                                                                                                                                                                                                          | : 105-95.2/47.6 A                                 |      | Protection degree                                                                                                        | : IP23                 |          |
| L. R. Amperes                                                                                                                                                                                                                                                                          | : 653-590/295 A                                   |      | Cooling method                                                                                                           | : IC01 - ODP           |          |
| LRC                                                                                                                                                                                                                                                                                    | : 6.2x(Code G)                                    |      | Mounting                                                                                                                 | : W-6                  |          |
| No load current                                                                                                                                                                                                                                                                        | : 31.9-37.0/18.5 A                                |      | Rotation <sup>1</sup>                                                                                                    | : Both (CW and CCW)    |          |
| Rated speed                                                                                                                                                                                                                                                                            | : 1775 rpm                                        |      | Noise level <sup>2</sup>                                                                                                 | : 66.0 dB(A)           |          |
| Slip                                                                                                                                                                                                                                                                                   | : 1.39 %                                          |      | Starting method                                                                                                          | : Direct On Line       |          |
| Rated torque                                                                                                                                                                                                                                                                           | : 117 ft.lb                                       |      | Approx. weight <sup>3</sup>                                                                                              | : 472 lb               |          |
| Locked rotor torque                                                                                                                                                                                                                                                                    | : 200 %                                           |      |                                                                                                                          |                        |          |
| Breakdown torque                                                                                                                                                                                                                                                                       | : 240 %                                           |      |                                                                                                                          |                        |          |
| Insulation class                                                                                                                                                                                                                                                                       | : F                                               |      |                                                                                                                          |                        |          |
| Service factor                                                                                                                                                                                                                                                                         | : 1.25                                            |      |                                                                                                                          |                        |          |
| Moment of inertia (J)                                                                                                                                                                                                                                                                  | : 5.69 sq.ft.lb                                   |      |                                                                                                                          |                        |          |
| Design                                                                                                                                                                                                                                                                                 | : B                                               |      |                                                                                                                          |                        |          |
| Output                                                                                                                                                                                                                                                                                 | 25%                                               | 50%  | 75%                                                                                                                      | 100%                   |          |
| Efficiency (%)                                                                                                                                                                                                                                                                         | 93.5                                              | 93.6 | 94.1                                                                                                                     | 94.1                   |          |
| Power Factor                                                                                                                                                                                                                                                                           | 0.44                                              | 0.70 | 0.80                                                                                                                     | 0.84                   |          |
|                                                                                                                                                                                                                                                                                        | Foundation loads                                  |      |                                                                                                                          |                        |          |
|                                                                                                                                                                                                                                                                                        | Max. traction                                     |      |                                                                                                                          |                        |          |
|                                                                                                                                                                                                                                                                                        | Max. compression                                  |      |                                                                                                                          |                        |          |
|                                                                                                                                                                                                                                                                                        | <u>Drive end</u>                                  |      | <u>Non drive end</u>                                                                                                     |                        |          |
| Bearing type                                                                                                                                                                                                                                                                           | : 6312 Z C3                                       |      | : 6211 Z C3                                                                                                              |                        |          |
| Sealing                                                                                                                                                                                                                                                                                | : Without Bearing Seal                            |      | : Without Bearing Seal                                                                                                   |                        |          |
| Lubrication interval                                                                                                                                                                                                                                                                   | : 20000 h                                         |      | : 20000 h                                                                                                                |                        |          |
| Lubricant amount                                                                                                                                                                                                                                                                       | : 21 g                                            |      | : 11 g                                                                                                                   |                        |          |
| Lubricant type                                                                                                                                                                                                                                                                         | : Mobil Polyrex EM                                |      |                                                                                                                          |                        |          |
| Notes<br>downloaded from <a href="http://dealerselectric.com">http://dealerselectric.com</a>                                                                                                                                                                                           |                                                   |      |                                                                                                                          |                        |          |
| This revision replaces and cancel the previous one, which must be eliminated.<br>(1) Looking the motor from the shaft end.<br>(2) Measured at 1m and with tolerance of +3dB(A).<br>(3) Approximate weight subject to changes after manufacturing process.<br>(4) At 100% of full load. |                                                   |      | These are average values based on tests with sinusoidal power supply, subject to the tolerances stipulated in NEMA MG-1. |                        |          |
| Rev.                                                                                                                                                                                                                                                                                   | Changes Summary                                   |      | Performed                                                                                                                | Checked                | Date     |
| Performed by                                                                                                                                                                                                                                                                           |                                                   |      |                                                                                                                          |                        |          |
| Checked by                                                                                                                                                                                                                                                                             |                                                   |      |                                                                                                                          | Page                   | Revision |
| Date                                                                                                                                                                                                                                                                                   | 16/04/2019                                        |      |                                                                                                                          | 1 / 2                  |          |

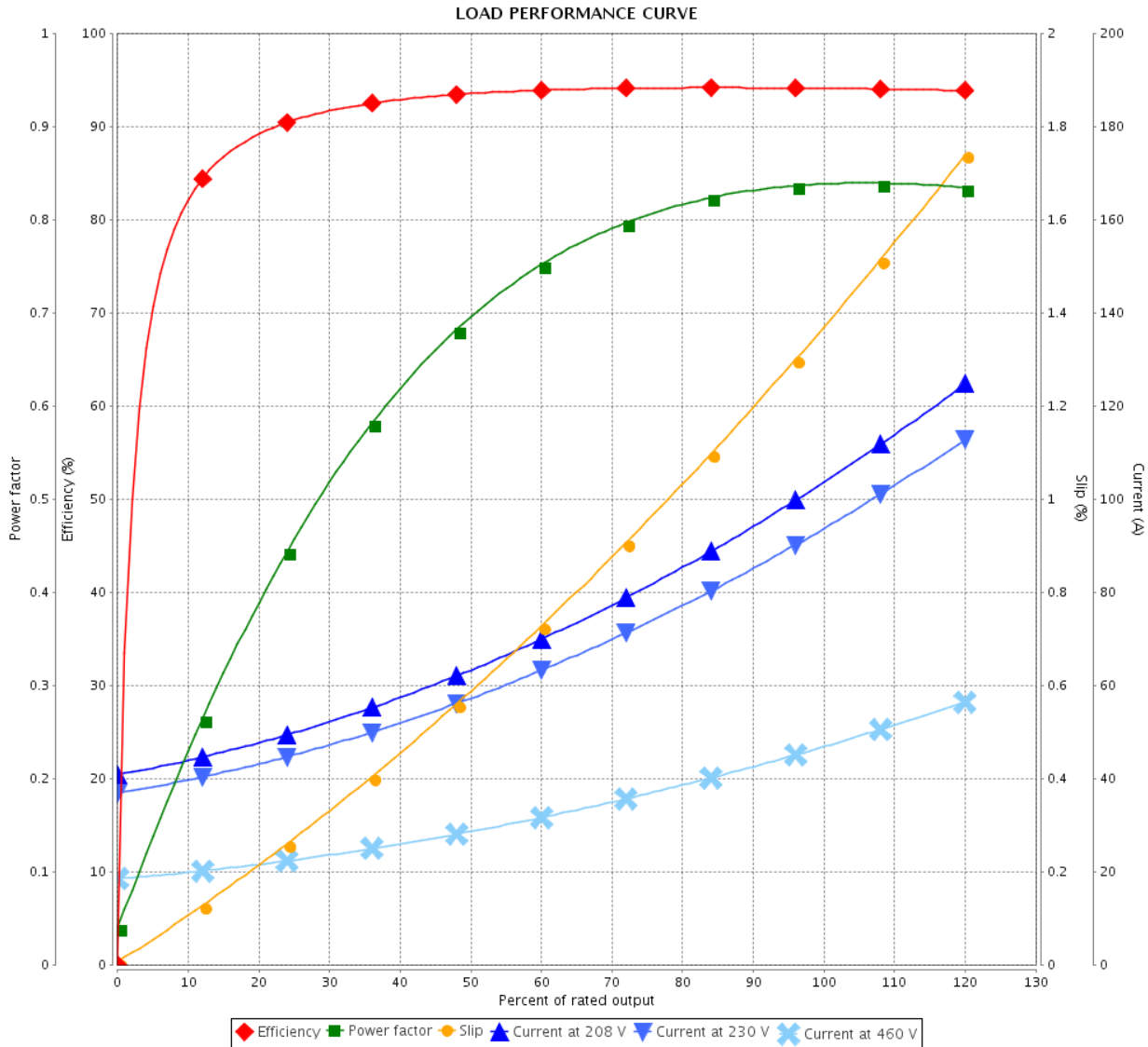
# LOAD PERFORMANCE CURVE

## Three Phase Induction Motor - Squirrel Cage



Customer : Dealers Industrial Equipment 800-469-3110  
 Customer reference : 14836783

Product line : W40 JP Pump NEMA Premium Efficiency Three-Phase      Product code : 14836783  
 Catalog # : 04018OT3E324JPV-W40



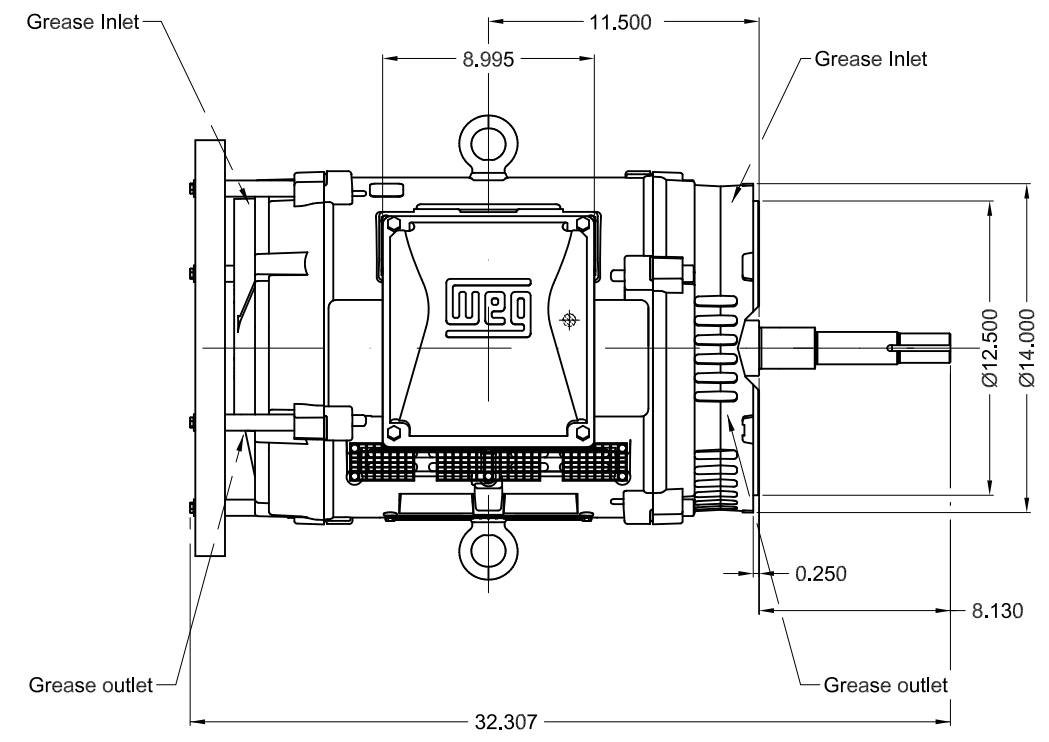
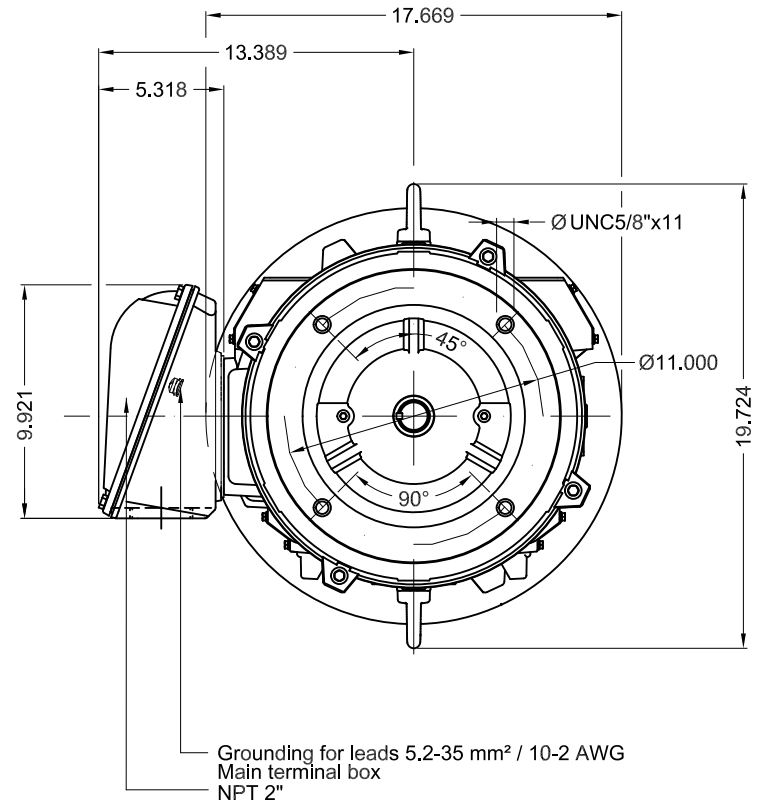
Performance : 208-230/460 V 60 Hz 4P

|                                 |                                       |
|---------------------------------|---------------------------------------|
| Rated current : 105-95.2/47.6 A | Moment of inertia (J) : 5.69 sq.ft.lb |
| LRC : 6.2                       | Duty cycle : Cont.(S1)                |
| Rated torque : 117 ft.lb        | Insulation class : F                  |
| Locked rotor torque : 200 %     | Service factor : 1.25                 |
| Breakdown torque : 240 %        | Temperature rise : 80 K               |
| Rated speed : 1775 rpm          | Design : B                            |

| Rev.         | Changes Summary | Performed | Checked       | Date     |
|--------------|-----------------|-----------|---------------|----------|
|              |                 |           |               |          |
| Performed by |                 |           | Page<br>2 / 2 | Revision |
| Checked by   |                 |           |               |          |
| Date         | 16/04/2019      |           |               |          |

Dimensões em polegada  
Dimensions in inches

THIS IS AN UPDATED REVISION, THE  
PREVIOUS ONE MUST BE DISREGARDED.



|                    |            |                                        |                |                     |       |       |          |         |          |      |     |
|--------------------|------------|----------------------------------------|----------------|---------------------|-------|-------|----------|---------|----------|------|-----|
| Color RAL 5009     |            |                                        |                |                     |       |       |          |         |          |      |     |
| Painting plan 203A |            |                                        |                |                     |       |       |          |         |          |      |     |
| Mounting V18       |            |                                        |                |                     |       |       |          |         |          |      |     |
|                    |            |                                        |                |                     |       |       |          | SCALE   | 1:8      |      |     |
| ECM                | LOC        | SUMMARY OF MODIFICATIONS               |                |                     |       |       | EXECUTED | CHECKED | RELEASED | DATE | VER |
| EXECUTED           | USERADMIN  | THREE PHASE W40 MOTOR NEMA PREMIUM EFF |                |                     |       |       |          |         |          |      |     |
| CHECKED            |            | FRAME 324/6JP IP23 ODP                 |                |                     |       |       |          |         |          |      |     |
| RELEASED           |            | CLOSE COUPLED PUMP JP TYPE   W         |                |                     |       |       |          |         |          |      |     |
| REL DT             | 16.04.2019 | WMO                                    | Jaragua do Sul | Product Engineering | SHEET | 1 / 1 |          |         |          |      |     |

40 HP 04 Poles 60Hz

A

