

# DATA SHEET



## Three Phase Induction Motor - Squirrel Cage

Customer : Dealers Industrial Equipment 800-469-3110		Customer reference : 14836782				
Product line : W40 JP Pump NEMA Premium Efficiency Three-Phase		Product code : 14836782				
		Catalog # : 04036OT3V286JPV-W40				
Frame : 284/6JP Output : 40 HP (30 kW) Poles : 2 Frequency : 60 Hz Rated voltage : 200/400 V Rated current : 108/53.8 A L. R. Amperes : 700/350 A LRC : 6.5x(Code G) No load current : 34.3/17.1 A Rated speed : 3540 rpm Slip : 1.67 % Rated torque : 58.5 ft.lb Locked rotor torque : 190 % Breakdown torque : 260 % Insulation class : F Service factor : 1.25 Moment of inertia (J) : 2.02 sq.ft.lb Design : B		Locked rotor time : 14s (cold) 8s (hot) Temperature rise : 80 K Duty cycle : Cont.(S1) Ambient temperature : -20°C to +40°C Altitude : 1000 m.a.s.l. Protection degree : IP23 Cooling method : IC01 - ODP Mounting : W-6 Rotation <sup>1</sup> : Both (CW and CCW) Noise level <sup>2</sup> : 73.0 dB(A) Starting method : Direct On Line Approx. weight <sup>3</sup> : 370 lb				
Output	25%	50%	75%	100%	Foundation loads	
Efficiency (%)	91.5	91.7	92.4	92.4	Max. traction	
Power Factor	0.51	0.76	0.84	0.87	Max. compression	
		<u>Drive end</u>		<u>Non drive end</u>		
Bearing type	:	6311 Z C3		6211 Z C3		
Sealing	:	Without Bearing Seal		Without Bearing Seal		
Lubrication interval	:	11517 h		14226 h		
Lubricant amount	:	18 g		11 g		
Lubricant type	:	Mobil Polyrex EM				
Notes downloaded from <a href="http://dealerselectric.com">http://dealerselectric.com</a>						
This revision replaces and cancel the previous one, which must be eliminated. (1) Looking the motor from the shaft end. (2) Measured at 1m and with tolerance of +3dB(A). (3) Approximate weight subject to changes after manufacturing process. (4) At 100% of full load.			These are average values based on tests with sinusoidal power supply, subject to the tolerances stipulated in NEMA MG-1.			
Rev.	Changes Summary			Performed	Checked	Date
Performed by						
Checked by					Page	Revision
Date	16/04/2019				1 / 2	

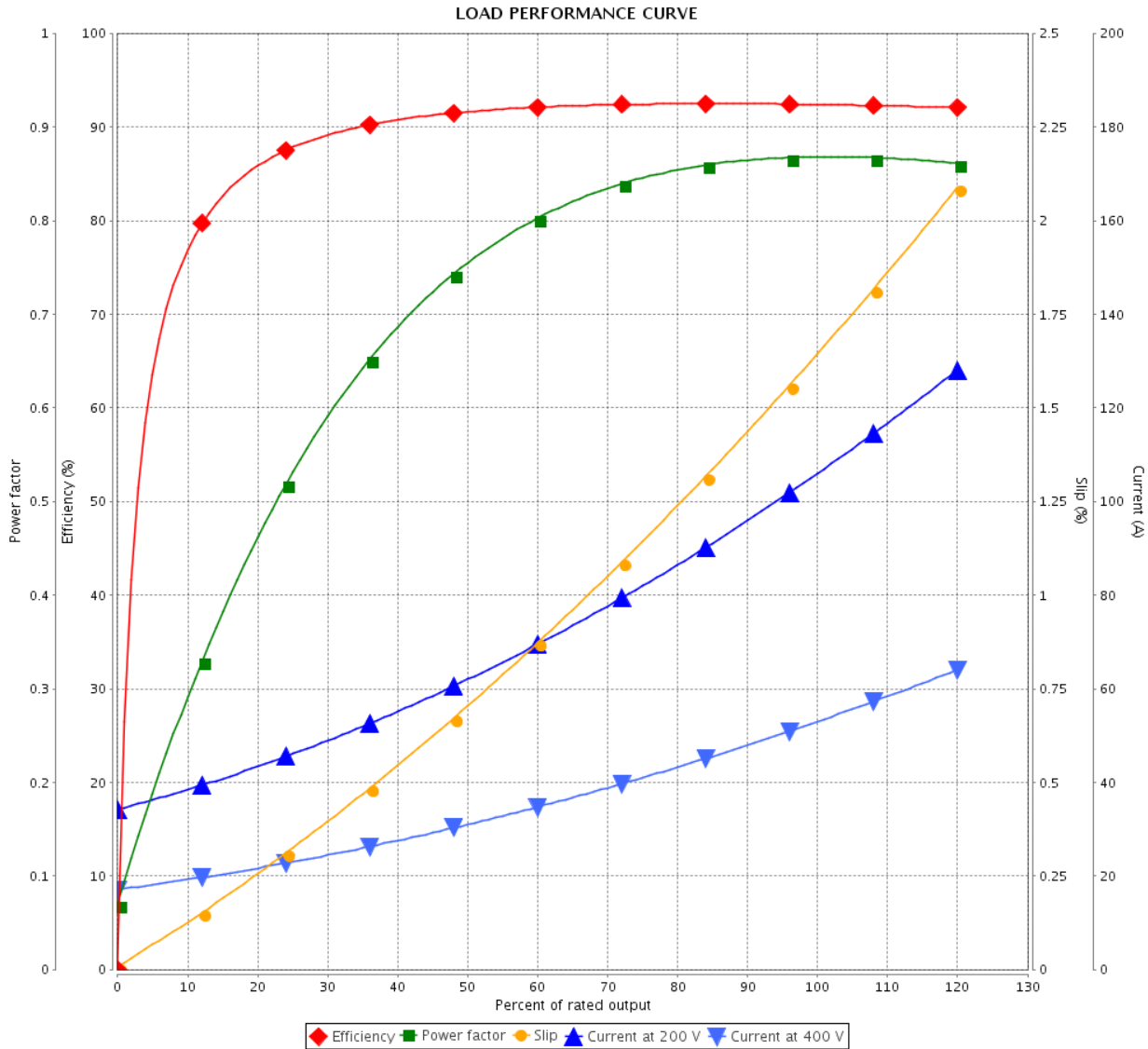
# LOAD PERFORMANCE CURVE



## Three Phase Induction Motor - Squirrel Cage

Customer : Dealers Industrial Equipment 800-469-3110  
 Customer reference : 14836782

Product line : W40 JP Pump NEMA Premium Efficiency Three-Phase      Product code : 14836782  
 Catalog # : 04036OT3V286JPV-W40



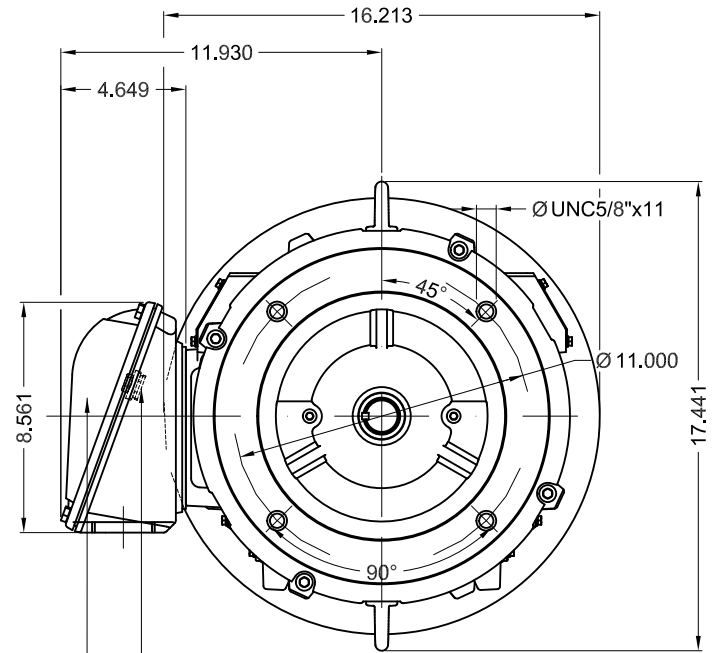
Performance : 200/400 V 60 Hz 2P

Rated current : 108/53.8 A	Moment of inertia (J) : 2.02 sq.ft.lb
LRC : 6.5	Duty cycle : Cont.(S1)
Rated torque : 58.5 ft.lb	Insulation class : F
Locked rotor torque : 190 %	Service factor : 1.25
Breakdown torque : 260 %	Temperature rise : 80 K
Rated speed : 3540 rpm	Design : B

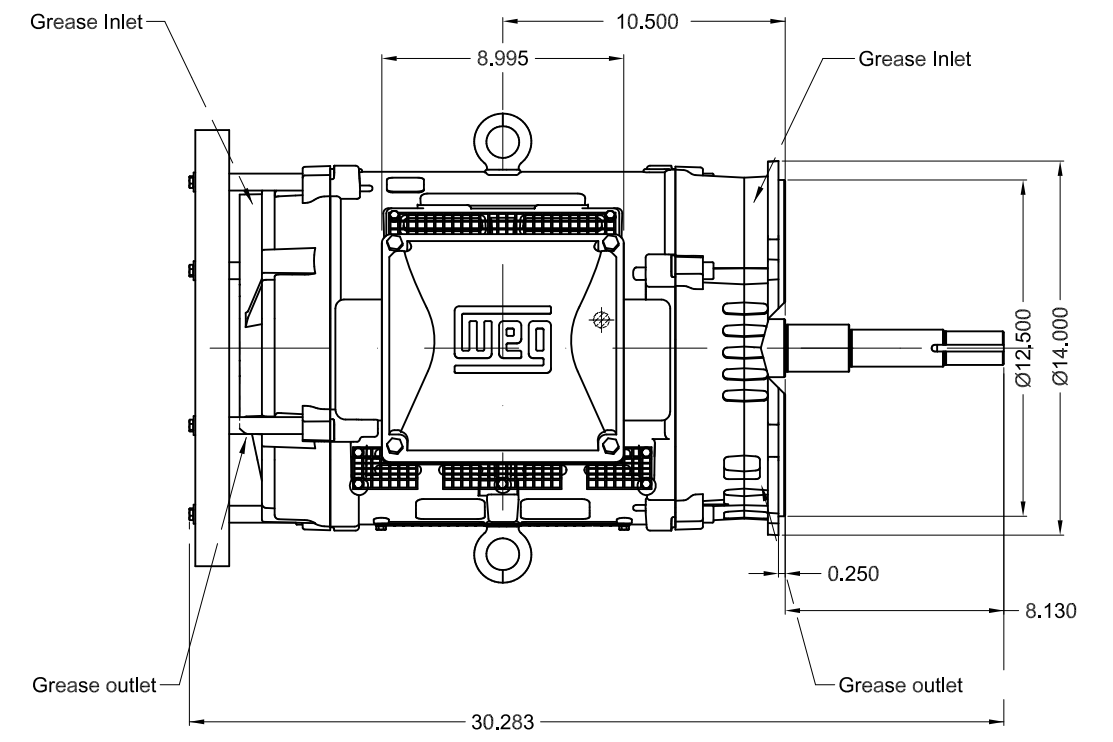
Rev.	Changes Summary	Performed	Checked	Date
Performed by			Page 2 / 2	Revision
Checked by				
Date	16/04/2019			

Dimensões em polegada  
Dimensions in inches

THIS IS AN UPDATED REVISION, THE  
PREVIOUS ONE MUST BE DISREGARDED.



Grounding for leads 5.2-35 mm<sup>2</sup> / 10-2 AWG  
Main terminal box  
NPT 1 1/2"



Color RAL 5009  
Painting plan 203A  
Mounting V18

SCALE 1:7

ECM	LOC	SUMMARY OF MODIFICATIONS	EXECUTED	CHECKED	RELEASED	DATE	VER
EXECUTED	USERADMIN	THREE PHASE W40 MOTOR NEMA PREMIUM EFF					
CHECKED		FRAME 284/6JP IP23 ODP					
RELEASED		CLOSE COUPLED PUMP JP TYPE   W					
REL DT	16.04.2019	WMO Jaragua do Sul	Product Engineering	SHEET	1 / 1		



40 HP 02 Poles 60Hz

A