

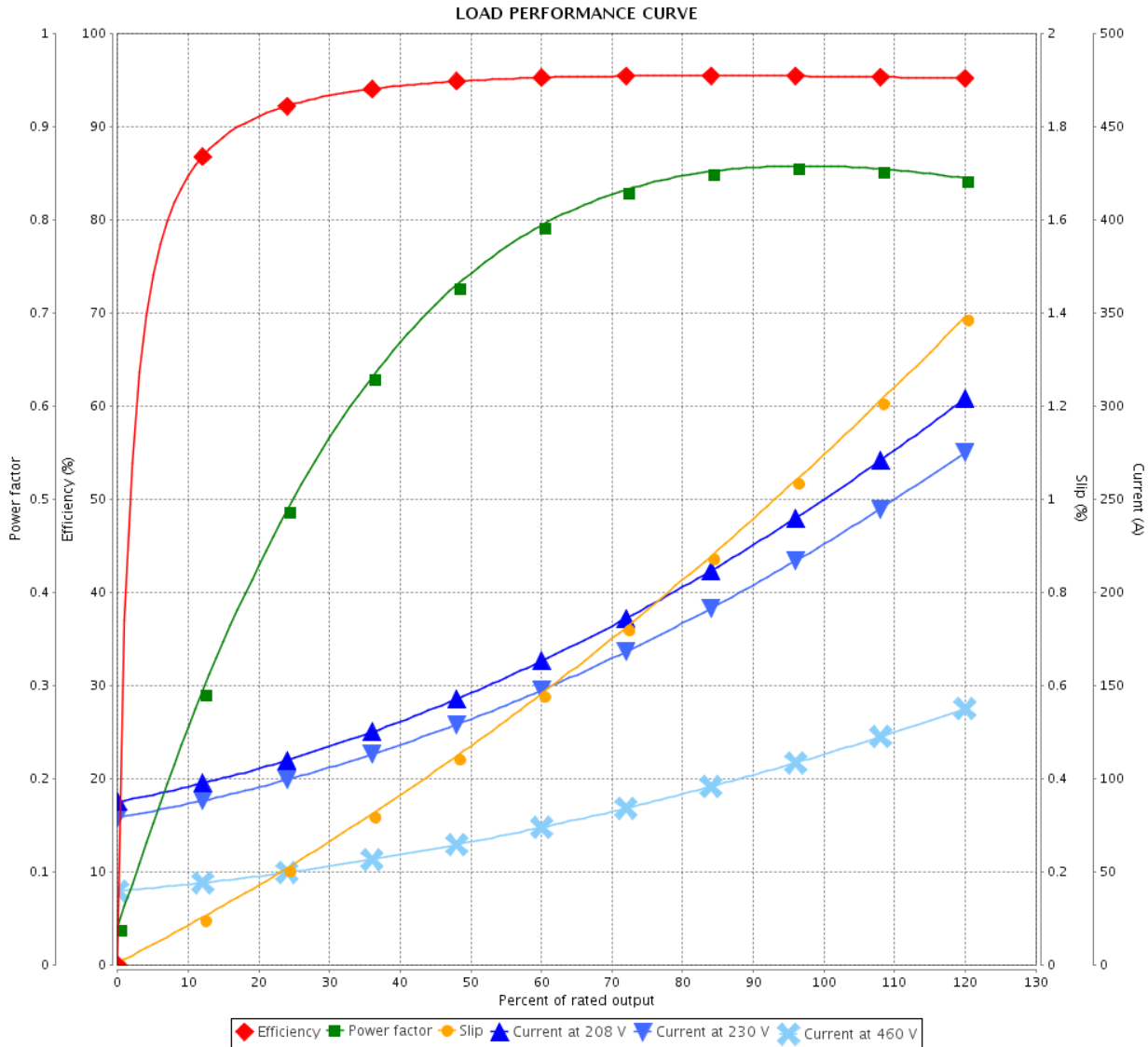
LOAD PERFORMANCE CURVE



Three Phase Induction Motor - Squirrel Cage

Customer : Dealers Industrial Equipment 800-469-3110
 Customer reference : 14836587

Product line : W40 JP Pump NEMA Premium Efficiency Three-Phase Product code : 14836587
 Catalog # : 10018OT3E404JPV-W40



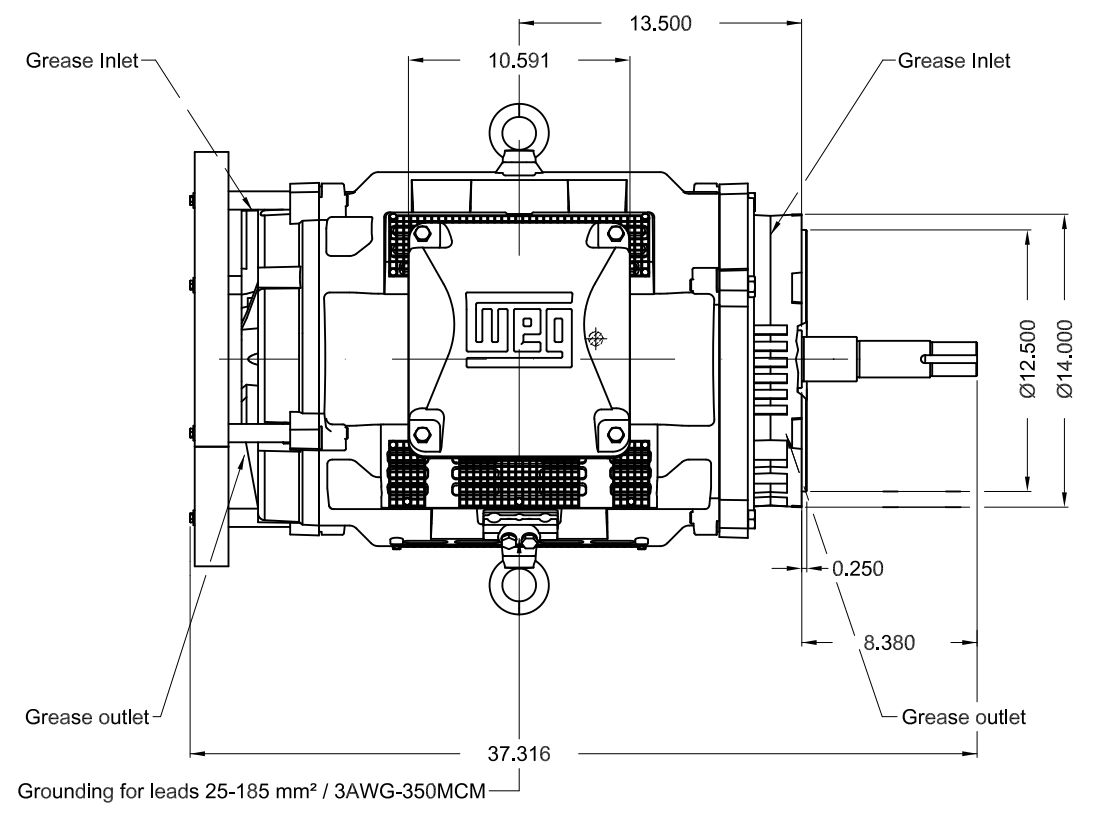
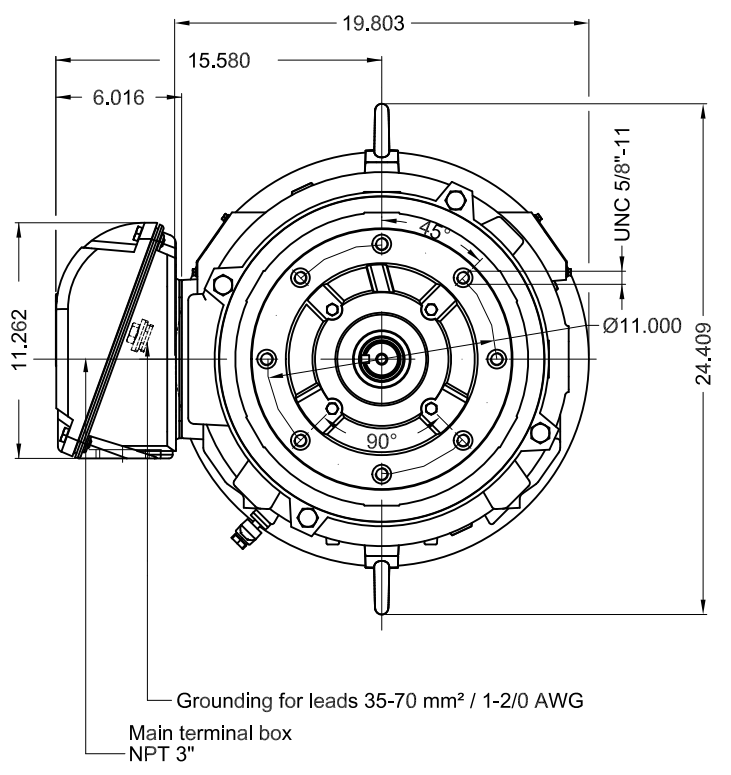
Performance : 208-230/460 V 60 Hz 4P

| | |
|-------------------------------|---------------------------------------|
| Rated current : 254-230/115 A | Moment of inertia (J) : 21.9 sq.ft.lb |
| LRC : 6.8 | Duty cycle : Cont.(S1) |
| Rated torque : 291 ft.lb | Insulation class : F |
| Locked rotor torque : 200 % | Service factor : 1.25 |
| Breakdown torque : 250 % | Temperature rise : 80 K |
| Rated speed : 1780 rpm | Design : B |

| Rev. | Changes Summary | Performed | Checked | Date |
|--------------|-----------------|-----------|---------|----------|
| | | | | |
| Performed by | | | Page | Revision |
| Checked by | | | | |
| Date | | | | |

Dimensões em polegada
Dimensions in inches

THIS IS AN UPDATED REVISION, THE
PREVIOUS ONE MUST BE DISREGARDED.



| | | | | | | |
|--------------------|------------|--|----------------|---------------------|----------|---------|
| Color RAL 5009 | | | | | | |
| Painting plan 203A | | | | | | |
| Mounting V18 | | | | | | |
| | | | | | SCALE | 1:9 |
| ECM | LOC | SUMMARY OF MODIFICATIONS | | | EXECUTED | CHECKED |
| EXECUTED | USERADMIN | THREE PHASE W40 MOTOR NEMA PREMIUM EFF | | | | |
| CHECKED | | FRAME 404/5JP IP23 ODP | | | | |
| RELEASED | | CLOSE COUPLED PUMP JP TYPE W | | | | |
| REL DT | 16.04.2019 | WMO | Jaragua do Sul | Product Engineering | SHEET | 1 / 1 |

100 HP 04 Poles 60Hz

A

