

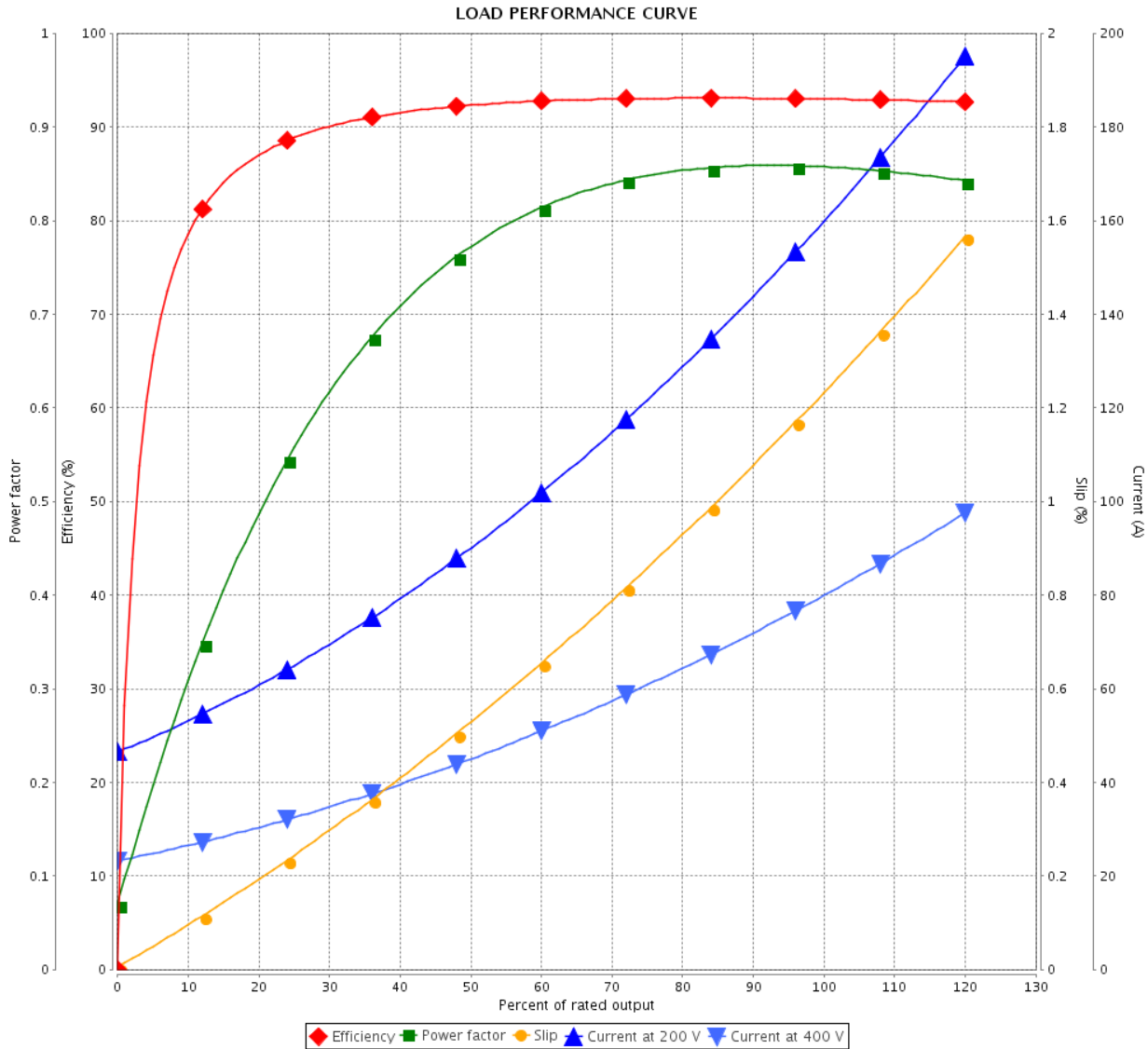
LOAD PERFORMANCE CURVE



Three Phase Induction Motor - Squirrel Cage

Customer : Dealers Industrial Equipment 800-469-3110
 Customer reference : 14832532

Product line : W40 JM Pump High Efficiency Three-Phase Product code : 14832532
 Catalog # : 06036OP3VFP326JMV-W4



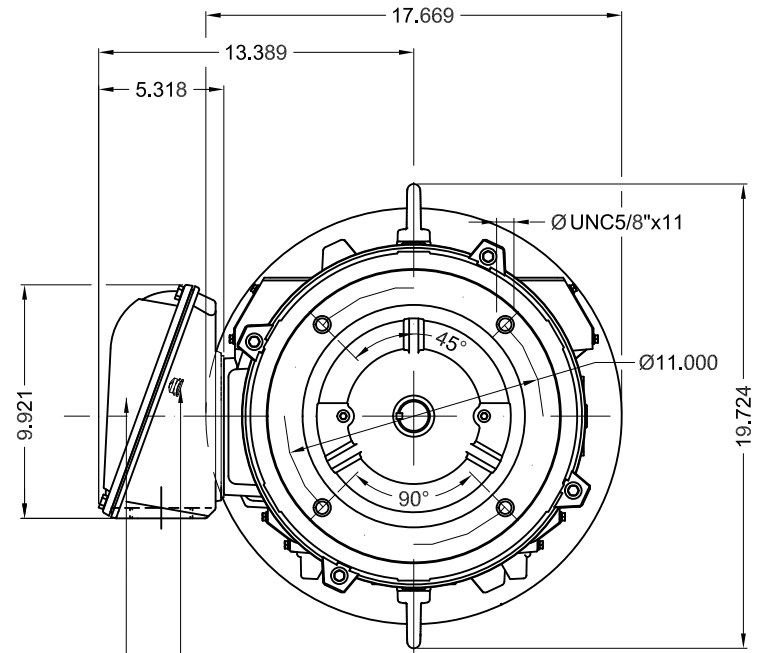
Performance : 200/400 V 60 Hz 2P

Rated current : 162/81.2 A	Moment of inertia (J) : 3.41 sq.ft.lb
LRC : 5.9	Duty cycle : Cont.(S1)
Rated torque : 87.4 ft.lb	Insulation class : F
Locked rotor torque : 180 %	Service factor : 1.15
Breakdown torque : 200 %	Temperature rise : 80 K
Rated speed : 3555 rpm	Design : B

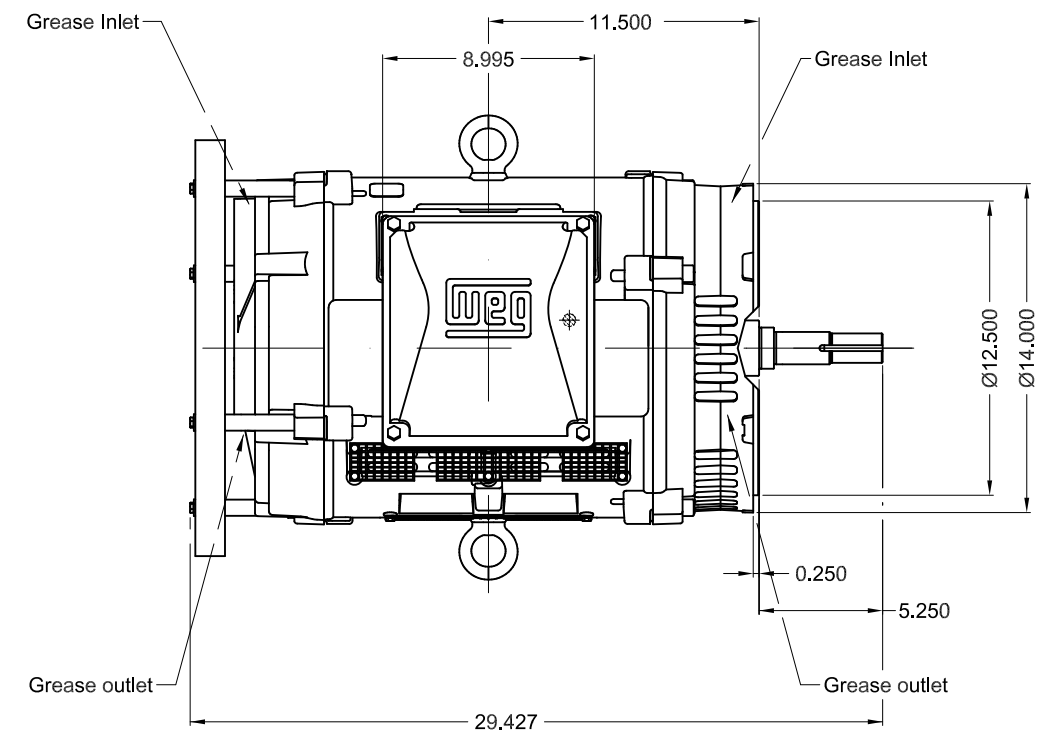
Rev.	Changes Summary	Performed	Checked	Date
Performed by			Page	Revision
Checked by				
Date				

Dimensões em polegada
Dimensions in inches

THIS IS AN UPDATED REVISION, THE
PREVIOUS ONE MUST BE DISREGARDED.



Grounding for leads 5.2-35 mm² / 10-2 AWG
Main terminal box
NPT 2"



Color RAL 3002									
Painting plan 203A									
Mounting V18									
					SCALE	1:8			
ECM	LOC	SUMMARY OF MODIFICATIONS			EXECUTED	CHECKED	RELEASED	DATE	VER
EXECUTED	USERADMIN	THREE PHASE W40 MOTOR HIGH EFF							
CHECKED		FRAME 324/6JM IP23 ODP							
RELEASED		CLOSE COUPLED PUMP JM TYPE W							
REL DT	16.04.2019	WMO	Jaragua do Sul	Product Engineering	SHEET	1 / 1			

60 HP 02 Poles 60Hz

A

