

DATA SHEET



Three Phase Induction Motor - Squirrel Cage

Customer : Dealers Industrial Equipment 800-469-3110
 Customer reference : 14832531

Product line : W40 JM Pump High Efficiency Three-Phase Product code : 14832531
 Catalog # : 06036OP3EFP326JMV-W4

Frame : 324/6JM	Locked rotor time : 30s (cold) 17s (hot)
Output : 60 HP (45 kW)	Temperature rise : 80 K
Poles : 2	Duty cycle : Cont.(S1)
Frequency : 60 Hz	Ambient temperature : -20°C to +40°C
Rated voltage : 208-230/460 V	Altitude : 1000 m.a.s.l.
Rated current : 153-141/70.6 A	Protection degree : IP23
L. R. Amperes : 900-833/417 A	Cooling method : IC01 - ODP
LRC : 5.9x(Code F)	Mounting : W-6
No load current : 35.0-40.6/20.3 A	Rotation ¹ : Both (CW and CCW)
Rated speed : 3555 rpm	Starting method : Direct On Line
Slip : 1.25 %	Approx. weight ³ : 490 lb
Rated torque : 87.4 ft.lb	
Locked rotor torque : 180 %	
Breakdown torque : 200 %	
Insulation class : F	
Service factor : 1.15	
Moment of inertia (J) : 3.41 sq.ft.lb	
Design : B	

Output	25%	50%	75%	100%	Foundation loads
Efficiency (%)	92.3	92.4	93.0	93.0	Max. traction
Power Factor	0.54	0.78	0.84	0.86	Max. compression

	<u>Drive end</u>	<u>Non drive end</u>
Bearing type :	6312 Z C3	6211 Z C3
Sealing :	Without Bearing Seal	Without Bearing Seal
Lubrication interval :	9829 h	14226 h
Lubricant amount :	21 g	11 g
Lubricant type :	Mobil Polyrex EM	

Notes
 downloaded from <http://dealerselectric.com>

This revision replaces and cancel the previous one, which must be eliminated.
 (1) Looking the motor from the shaft end.
 (2) Measured at 1m and with tolerance of +3dB(A).
 (3) Approximate weight subject to changes after manufacturing process.
 (4) At 100% of full load.

These are average values based on tests with sinusoidal power supply, subject to the tolerances stipulated in NEMA MG-1.

Rev.	Changes Summary	Performed	Checked	Date
Performed by		Page		Revision
Checked by		1 / 2		
Date	16/04/2019			

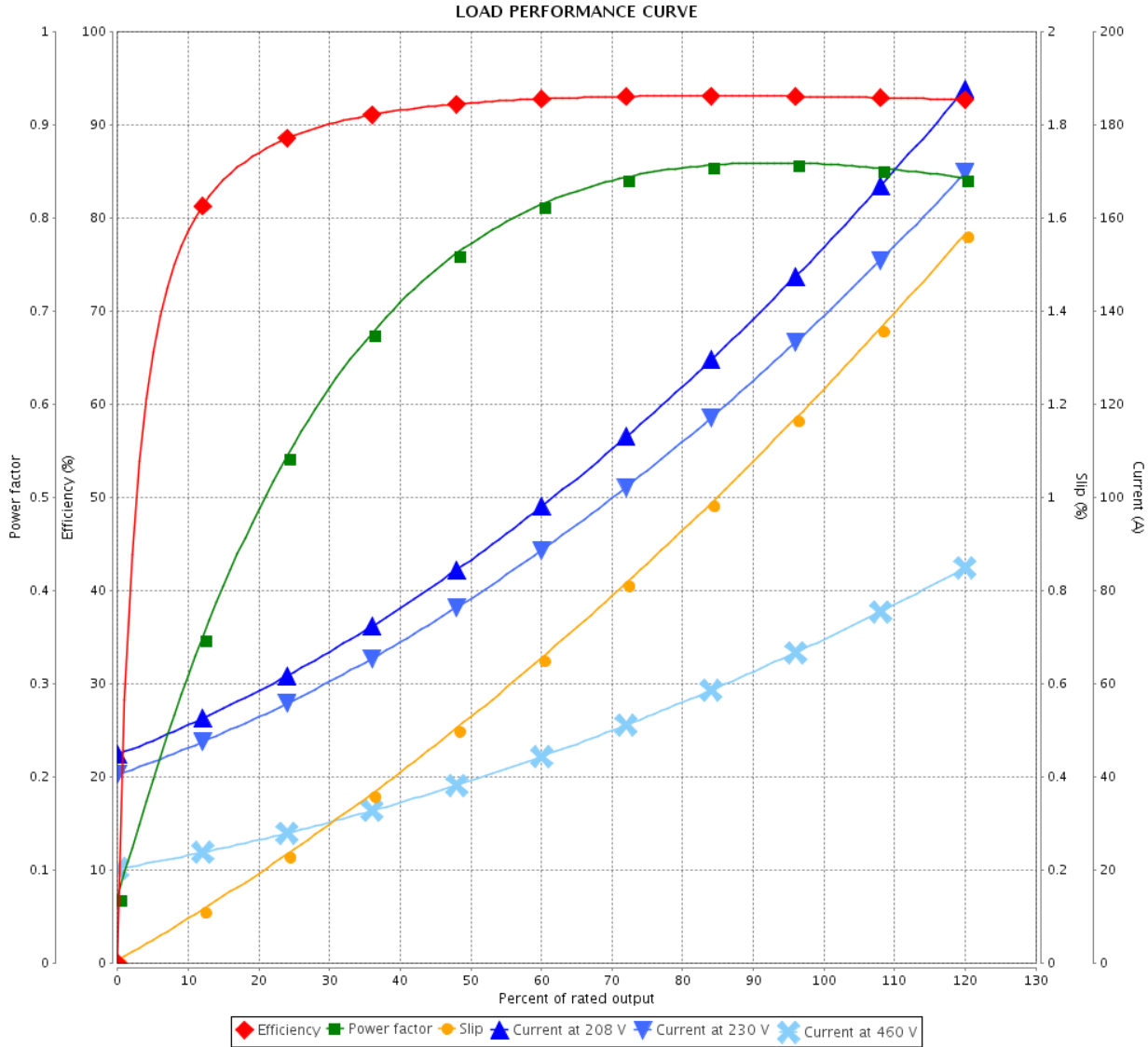
LOAD PERFORMANCE CURVE



Three Phase Induction Motor - Squirrel Cage

Customer : Dealers Industrial Equipment 800-469-3110
 Customer reference : 14832531

Product line : W40 JM Pump High Efficiency Three-Phase Product code : 14832531
 Catalog # : 06036OP3EFP326JMV-W4



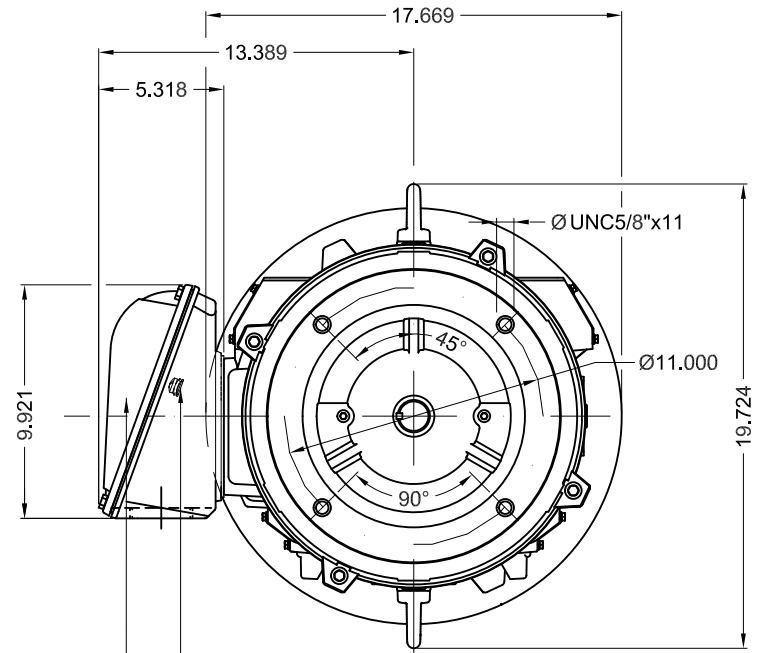
Performance : 208-230/460 V 60 Hz 2P

Rated current : 153-141/70.6 A	Moment of inertia (J) : 3.41 sq.ft.lb
LRC : 5.9	Duty cycle : Cont.(S1)
Rated torque : 87.4 ft.lb	Insulation class : F
Locked rotor torque : 180 %	Service factor : 1.15
Breakdown torque : 200 %	Temperature rise : 80 K
Rated speed : 3555 rpm	Design : B

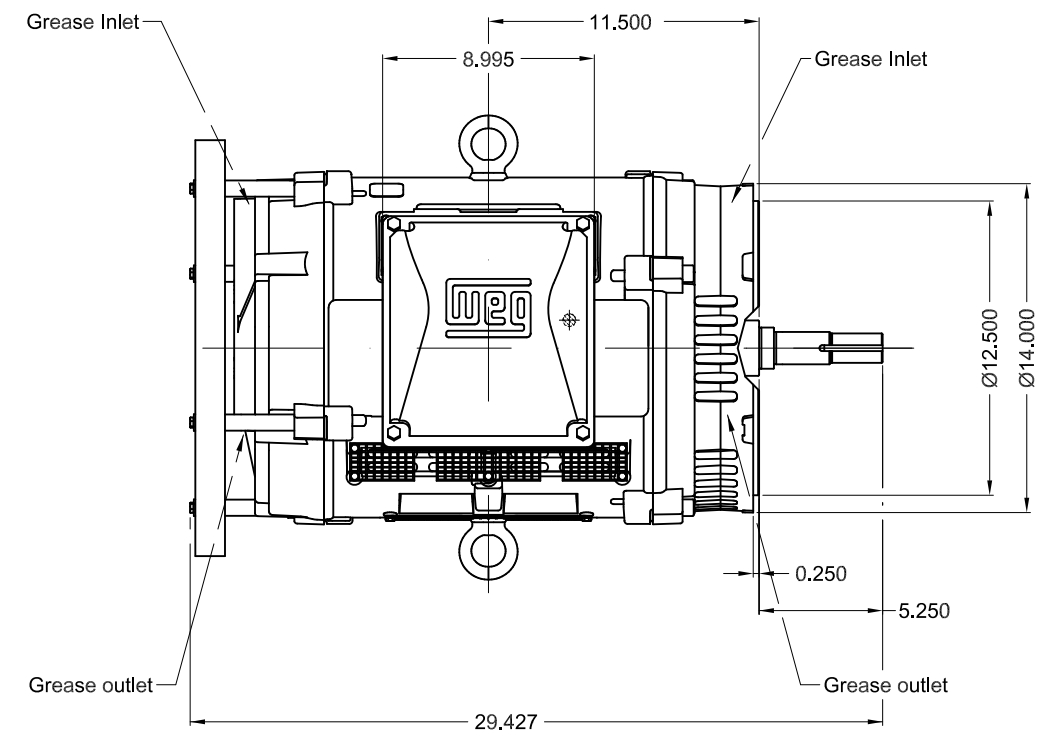
Rev.	Changes Summary	Performed	Checked	Date
Performed by			Page 2 / 2	Revision
Checked by				
Date	16/04/2019			


Dimensões em polegada
Dimensions in inches

THIS IS AN UPDATED REVISION, THE
PREVIOUS ONE MUST BE DISREGARDED.



Grounding for leads 5.2-35 mm² / 10-2 AWG
Main terminal box
NPT 2"



Color RAL 3002											
Painting plan 203A											
Mounting V18											
								SCALE	1:8		
ECM	LOC	SUMMARY OF MODIFICATIONS					EXECUTED	CHECKED	RELEASED	DATE	VER
EXECUTED	USERADMIN	THREE PHASE W40 MOTOR HIGH EFF									
CHECKED		FRAME 324/6JM IP23 ODP									
RELEASED		CLOSE COUPLED PUMP JM TYPE W									
REL DT	16.04.2019	WMO	Jaragua do Sul	Product Engineering	SHEET	1 / 1					

60 HP 02 Poles 60Hz

A