

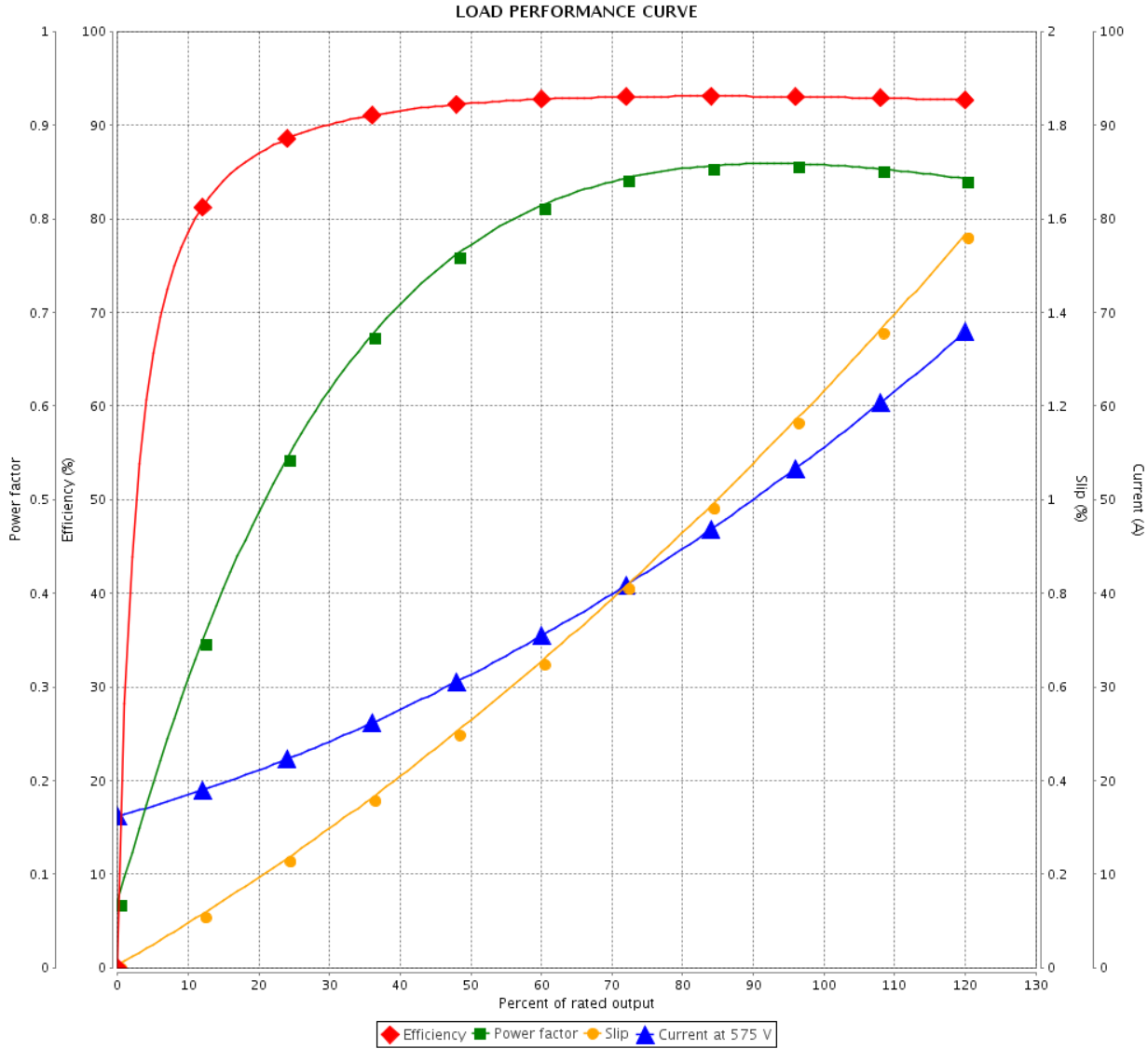
LOAD PERFORMANCE CURVE



Three Phase Induction Motor - Squirrel Cage

Customer : Dealers Industrial Equipment 800-469-3110
 Customer reference : 14832530

Product line : W40 JM Pump High Efficiency Three-Phase Product code : 14832530
 Catalog # : 06036OP3HFP326JMV-W4



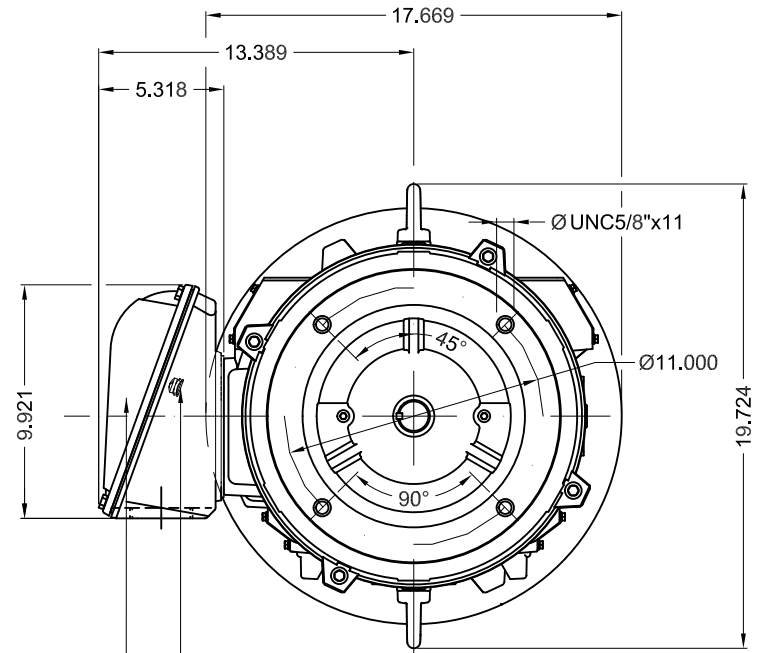
Performance : 575 V 60 Hz 2P

Rated current : 56.5 A	Moment of inertia (J) : 3.41 sq.ft.lb
LRC : 5.9	Duty cycle : Cont.(S1)
Rated torque : 87.4 ft.lb	Insulation class : F
Locked rotor torque : 180 %	Service factor : 1.15
Breakdown torque : 200 %	Temperature rise : 80 K
Rated speed : 3555 rpm	Design : B

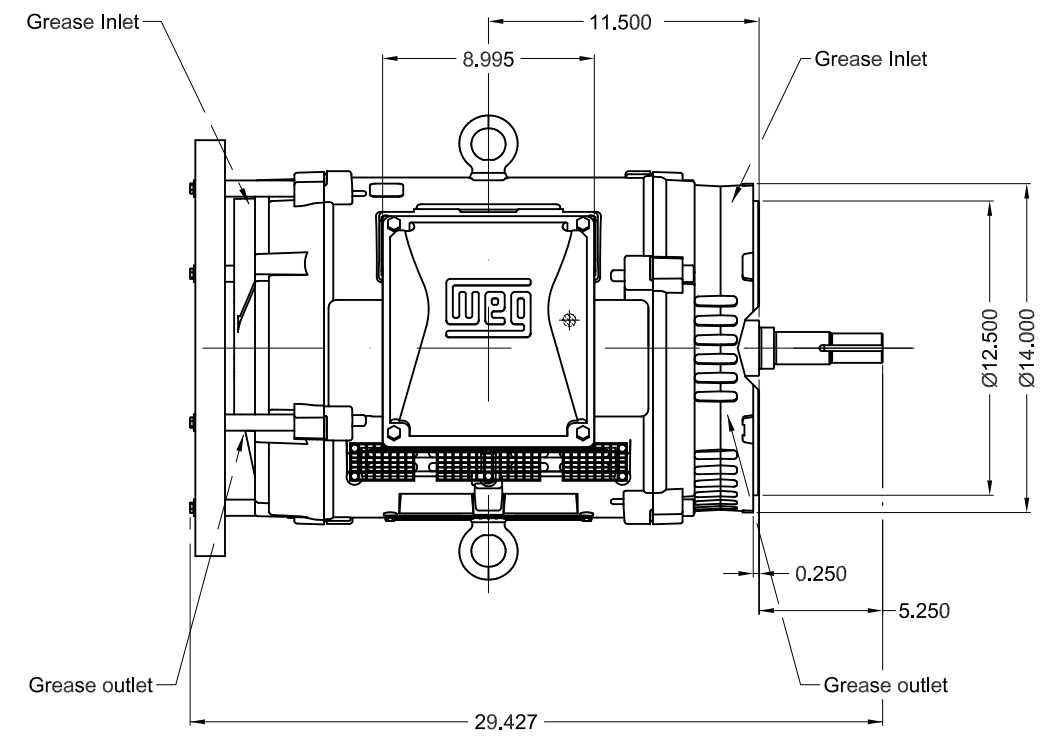
Rev.	Changes Summary	Performed	Checked	Date
Performed by			Page 2 / 2	Revision
Checked by				
Date	16/04/2019			


Dimensões em polegada
Dimensions in inches

THIS IS AN UPDATED REVISION, THE
PREVIOUS ONE MUST BE DISREGARDED.



Grounding for leads 5.2-35 mm² / 10-2 AWG
Main terminal box
NPT 2"



Color RAL 3002											
Painting plan 203A											
Mounting V18											
								SCALE	1:8		
ECM	LOC	SUMMARY OF MODIFICATIONS					EXECUTED	CHECKED	RELEASED	DATE	VER
EXECUTED	USERADMIN	THREE PHASE W40 MOTOR HIGH EFF									
CHECKED		FRAME 324/6JM IP23 ODP									
RELEASED		CLOSE COUPLED PUMP JM TYPE W									
REL DT	16.04.2019	WMO	Jaragua do Sul	Product Engineering	SHEET	1 / 1					

60 HP 02 Poles 60Hz

A