

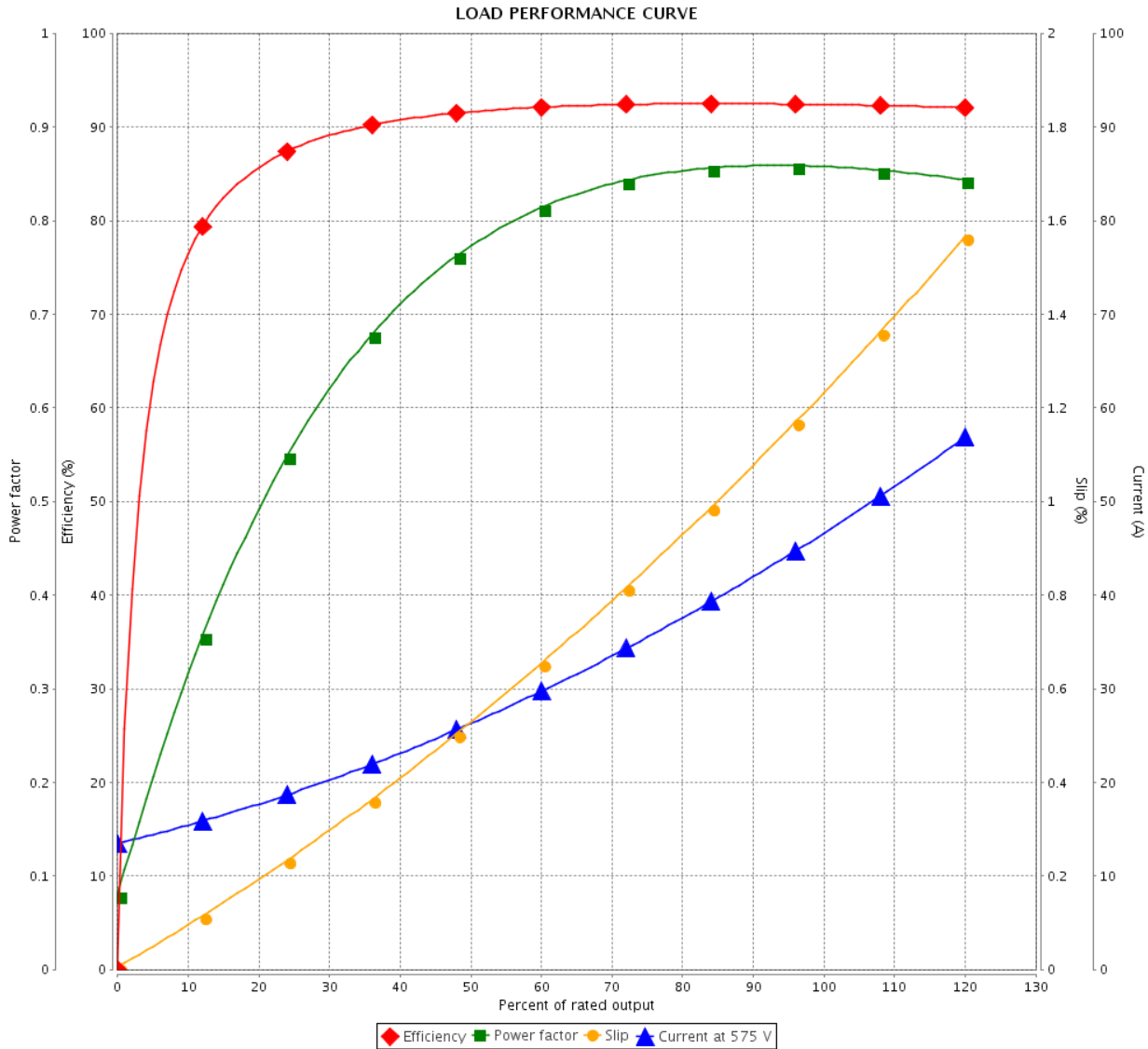
LOAD PERFORMANCE CURVE



Three Phase Induction Motor - Squirrel Cage

Customer : Dealers Industrial Equipment 800-469-3110
 Customer reference : 14832510

Product line : W40 JM Pump High Efficiency Three-Phase Product code : 14832510
 Catalog # : 05036OP3HFP324JMV-W4



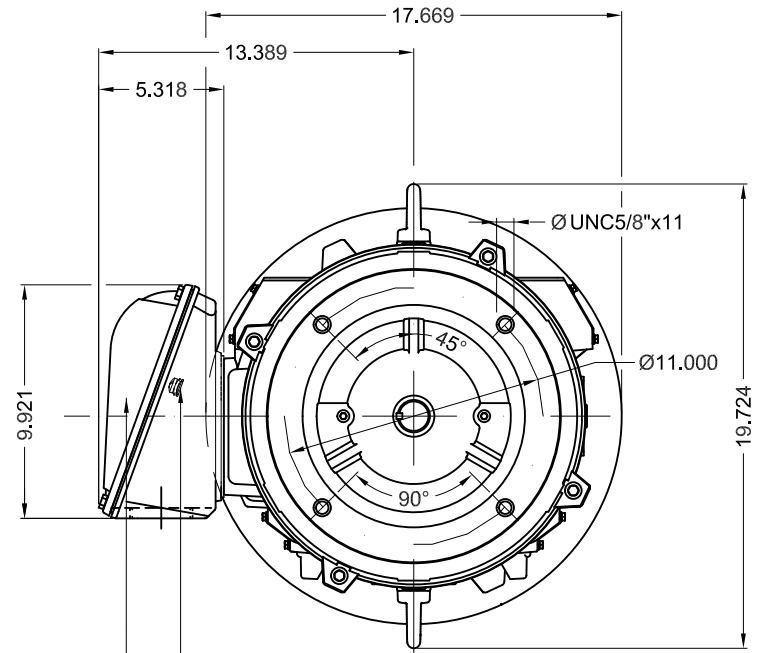
Performance : 575 V 60 Hz 2P

Rated current : 46.7 A	Moment of inertia (J) : 3.01 sq.ft.lb
LRC : 5.8	Duty cycle : Cont.(S1)
Rated torque : 72.9 ft.lb	Insulation class : F
Locked rotor torque : 170 %	Service factor : 1.15
Breakdown torque : 200 %	Temperature rise : 80 K
Rated speed : 3555 rpm	Design : B

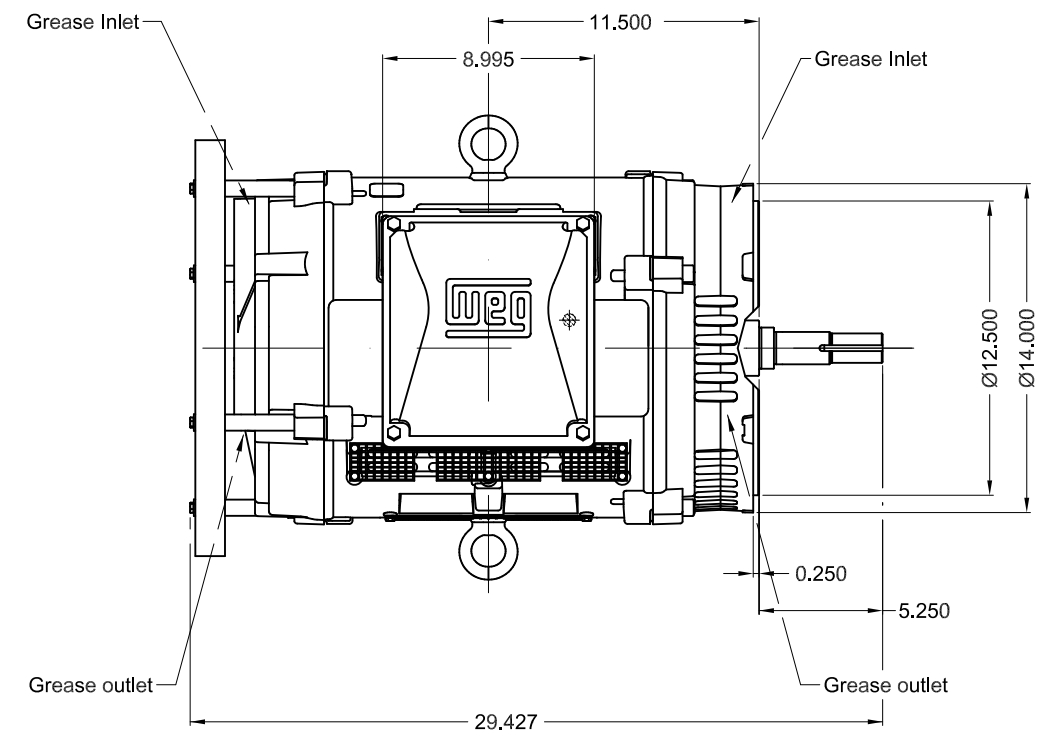
Rev.	Changes Summary	Performed	Checked	Date
Performed by			Page 2 / 2	Revision
Checked by				
Date	16/04/2019			

Dimensões em polegada
Dimensions in inches

THIS IS AN UPDATED REVISION, THE
PREVIOUS ONE MUST BE DISREGARDED.

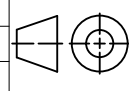


Grounding for leads 5.2-35 mm² / 10-2 AWG
Main terminal box
NPT 2"



Color RAL 3002
Painting plan 203A
Mounting V18

SCALE 1:8

ECM	LOC	SUMMARY OF MODIFICATIONS	EXECUTED	CHECKED	RELEASED	DATE	VER
EXECUTED	USERADMIN	 THREE PHASE W40 MOTOR HIGH EFF FRAME 324/6JM IP23 ODP CLOSE COUPLED PUMP JM TYPE W					
CHECKED							
RELEASED							
REL DT	16.04.2019	WMO Jaragua do Sul	Product Engineering	SHEET	1 / 1		



50 HP 02 Poles 60Hz

A