



# LOAD PERFORMANCE CURVE



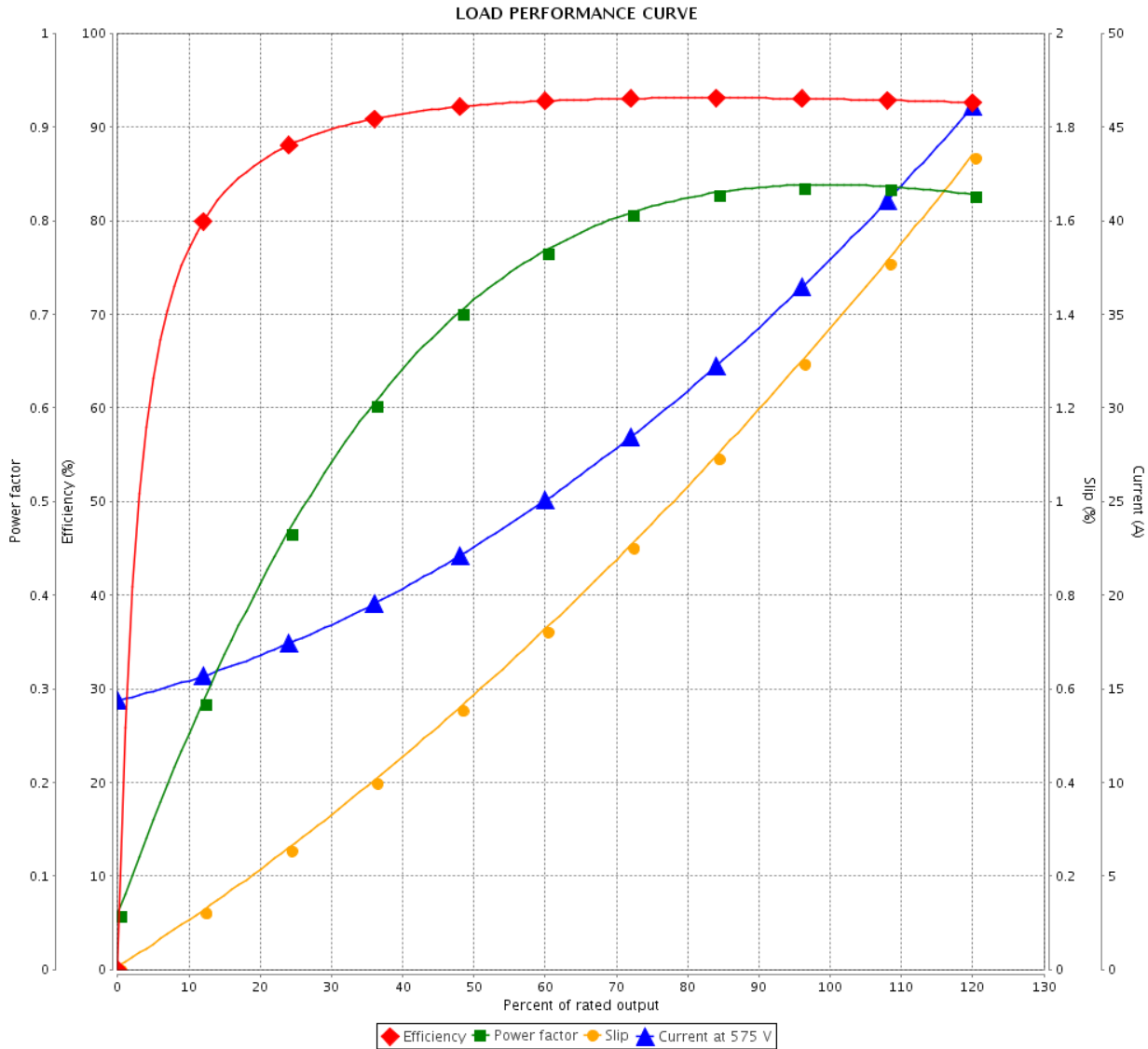
## Three Phase Induction Motor - Squirrel Cage

Customer : Dealers Industrial Equipment 800-469-3110  
 Customer reference : 14832417

Product line : W40 JM Pump High Efficiency  
 Three-Phase

Product code : 14832417

Catalog # : 04018OP3HFP324JMV-  
 W4



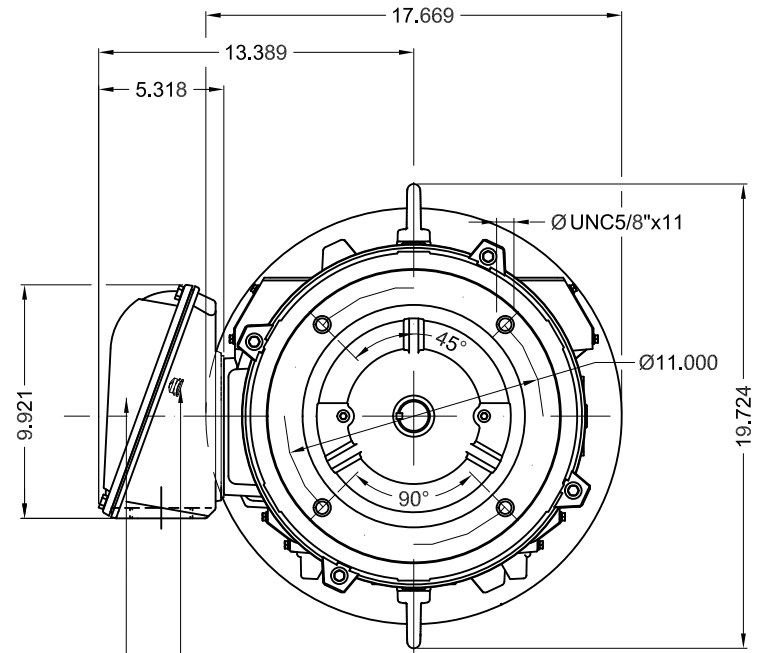
Performance : 575 V 60 Hz 4P

Rated current : 38.6 A	Moment of inertia (J) : 5.37 sq.ft.lb
LRC : 6.0	Duty cycle : Cont.(S1)
Rated torque : 117 ft.lb	Insulation class : F
Locked rotor torque : 180 %	Service factor : 1.15
Breakdown torque : 210 %	Temperature rise : 80 K
Rated speed : 1775 rpm	Design : B

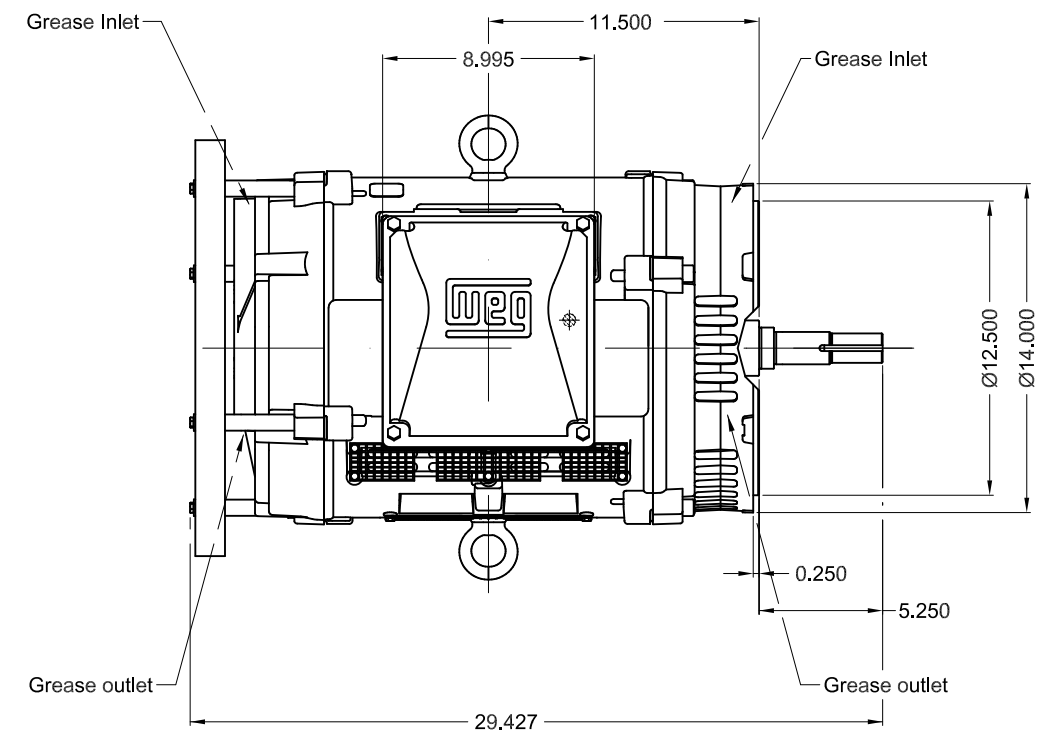
Rev.	Changes Summary	Performed	Checked	Date
Performed by			Page 2 / 2	Revision
Checked by				
Date	16/04/2019			

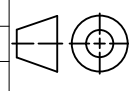
Dimensões em polegada  
Dimensions in inches

THIS IS AN UPDATED REVISION, THE  
PREVIOUS ONE MUST BE DISREGARDED.



Grounding for leads 5.2-35 mm<sup>2</sup> / 10-2 AWG  
Main terminal box  
NPT 2"



Color RAL 3002											
Painting plan 203A											
Mounting V18											
								SCALE	1:8		
ECM	LOC	SUMMARY OF MODIFICATIONS					EXECUTED	CHECKED	RELEASED	DATE	VER
EXECUTED	USERADMIN	 THREE PHASE W40 MOTOR HIGH EFF FRAME 324/6JM IP23 ODP CLOSE COUPLED PUMP JM TYPE   W									
CHECKED											
RELEASED											
REL DT	16.04.2019	WMO	Jaragua do Sul	Product Engineering	SHEET	1 / 1					



40 HP 04 Poles 60Hz

A