

# DATA SHEET



## Three Phase Induction Motor - Squirrel Cage

|  |   |                                  |  |                      |                  |          |
|--|---|----------------------------------|--|----------------------|------------------|----------|
| Customer : Dealers Industrial Equipment 800-469-3110   |   | Customer reference : 14832336    |  |                      |                  |          |
| Product line : W40 JM Pump High Efficiency Three-Phase   |   | Product code : 14832336          |  |                      |                  |          |
|  |   | Catalog # : 03018OP3EFP286JMV-W4 |  |                      |                  |          |
| Frame : 284/6JM  | Locked rotor time : 39s (cold) 22s (hot)  | Output : 30 HP (22 kW)           | Temperature rise : 80 K  |                      |                  |          |
| Poles : 4  | Duty cycle : Cont.(S1)                    | Frequency : 60 Hz                | Ambient temperature : -20°C to +40°C   |                      |                  |          |
| Rated voltage : 208-230/460 V  | Altitude : 1000 m.a.s.l.                  | Rated current : 78.7-71.2/35.6 A | Protection degree : IP23   |                      |                  |          |
| L. R. Amperes : 496-449/224 A  | Cooling method : IC01 - ODP               | LRC : 6.3x(Code G)               | Mounting : W-6   |                      |                  |          |
| No load current : 19.0-22.0/11.0 A   | Rotation <sup>1</sup> : Both (CW and CCW) | Rated speed : 1765 rpm           | Starting method : Direct On Line   |                      |                  |          |
| Slip : 1.94 %  | Approx. weight <sup>3</sup> : 381 lb      | Rated torque : 88.1 ft.lb        |  |                      |                  |          |
| Locked rotor torque : 250 %  |   | Breakdown torque : 250 %         |  |                      |                  |          |
| Insulation class : F   |   | Service factor : 1.15            |  |                      |                  |          |
| Moment of inertia (J) : 3.70 sq.ft.lb  |   | Design : B                       |  |                      |                  |          |
| Output   | 25%                                       | 50%                              | 75%  | 100%                 | Foundation loads |          |
| Efficiency (%)   | 91.5                                      | 91.7                             | 92.4   | 92.4                 | Max. traction    |          |
| Power Factor   | 0.49                                      | 0.71                             | 0.80   | 0.84                 | Max. compression |          |
|  |   | <u>Drive end</u>                 |  | <u>Non drive end</u> |                  |          |
| Bearing type   | :   | 6311 Z C3                        |  | 6211 Z C3            |                  |          |
| Sealing  | :   | Without Bearing Seal             |  | Without Bearing Seal |                  |          |
| Lubrication interval   | :   | 20000 h                          |  | 20000 h              |                  |          |
| Lubricant amount   | :   | 18 g                             |  | 11 g                 |                  |          |
| Lubricant type   | :   | Mobil Polyrex EM                 |  |                      |                  |          |
| Notes<br>downloaded from <a href="http://dealerselectric.com">http://dealerselectric.com</a>   |   |                                  |  |                      |                  |          |
| This revision replaces and cancel the previous one, which must be eliminated.<br>(1) Looking the motor from the shaft end.<br>(2) Measured at 1m and with tolerance of +3dB(A).<br>(3) Approximate weight subject to changes after manufacturing process.<br>(4) At 100% of full load. |   |                                  | These are average values based on tests with sinusoidal power supply, subject to the tolerances stipulated in NEMA MG-1. |                      |                  |          |
| Rev.   | Changes Summary                           |                                  |  | Performed            | Checked          | Date     |
| Performed by   |   |                                  |  |                      |                  |          |
| Checked by   |   |                                  |  |                      | Page             | Revision |
| Date   | 16/04/2019                                |                                  |  |                      | 1 / 2            |          |

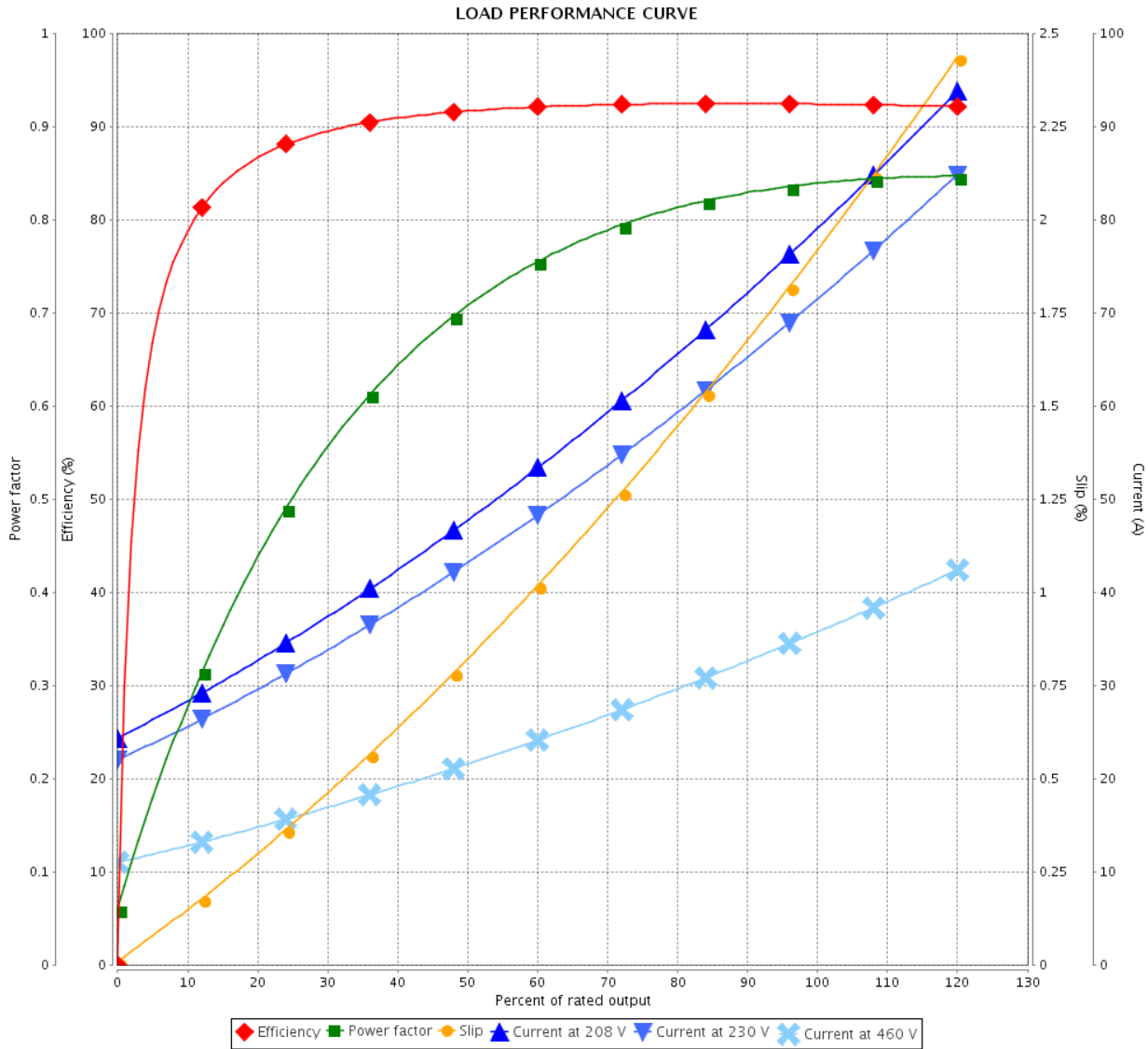
# LOAD PERFORMANCE CURVE



## Three Phase Induction Motor - Squirrel Cage

Customer : Dealers Industrial Equipment 800-469-3110  
 Customer reference : 14832336

Product line : W40 JM Pump High Efficiency Three-Phase      Product code : 14832336  
 Catalog # : 03018OP3EFP286JMV-W4



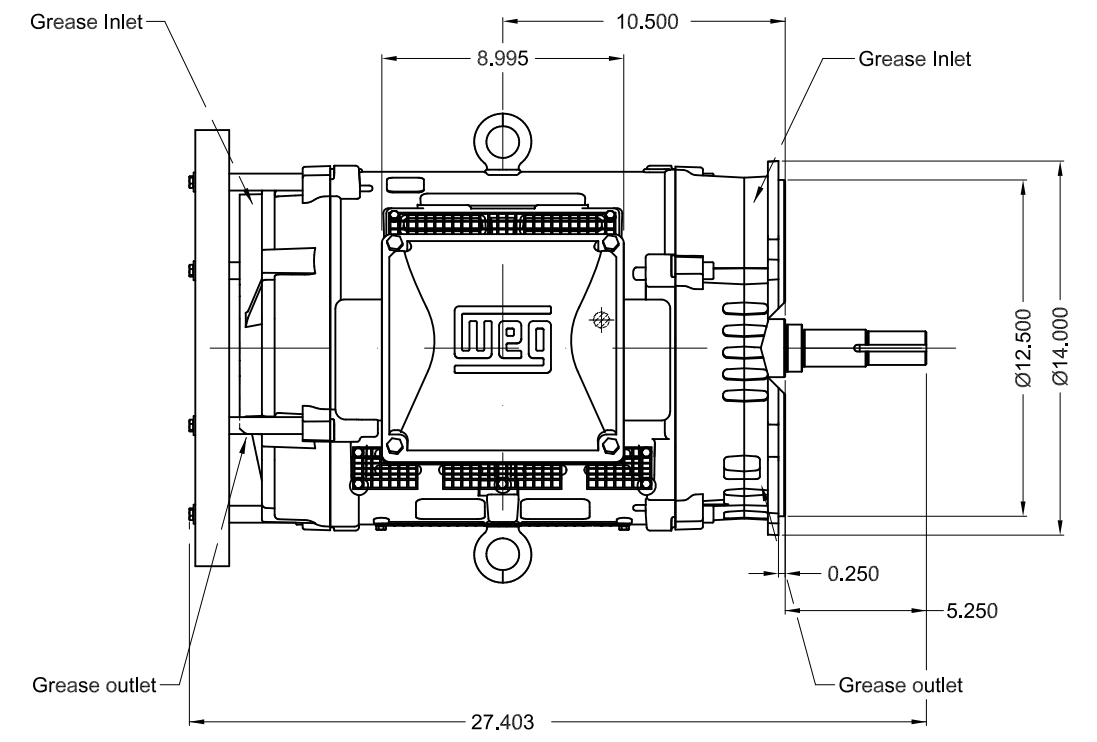
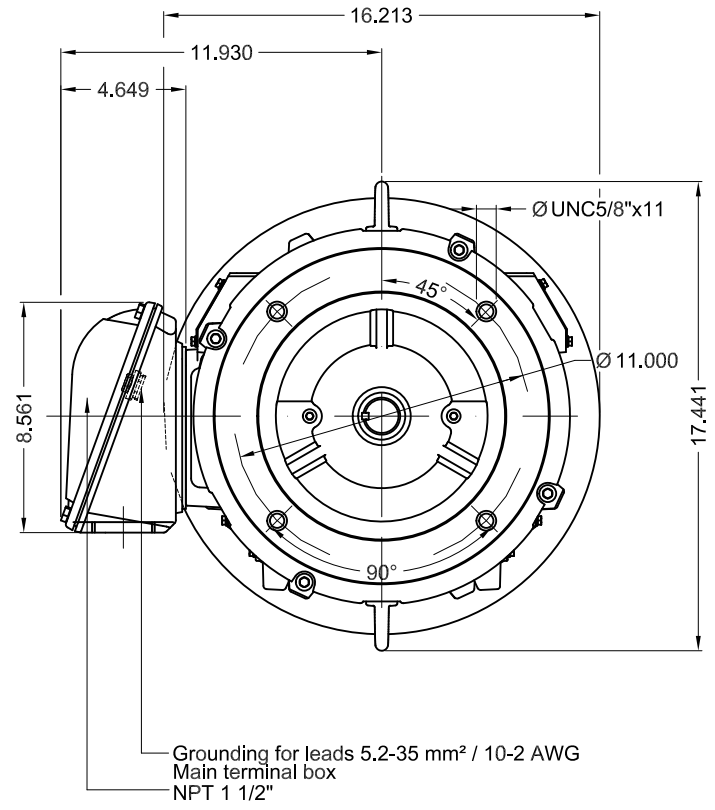
Performance : 208-230/460 V 60 Hz 4P

|                                  |                                       |
|----------------------------------|---------------------------------------|
| Rated current : 78.7-71.2/35.6 A | Moment of inertia (J) : 3.70 sq.ft.lb |
| LRC : 6.3                        | Duty cycle : Cont.(S1)                |
| Rated torque : 88.1 ft.lb        | Insulation class : F                  |
| Locked rotor torque : 250 %      | Service factor : 1.15                 |
| Breakdown torque : 250 %         | Temperature rise : 80 K               |
| Rated speed : 1765 rpm           | Design : B                            |

| Rev.         | Changes Summary | Performed | Checked       | Date     |
|--------------|-----------------|-----------|---------------|----------|
|              |                 |           |               |          |
| Performed by |                 |           | Page<br>2 / 2 | Revision |
| Checked by   |                 |           |               |          |
| Date         | 16/04/2019      |           |               |          |

Dimensões em polegada  
Dimensions in inches

THIS IS AN UPDATED REVISION, THE  
PREVIOUS ONE MUST BE DISREGARDED.



|                    |            |                                |                |                     |          |         |          |      |     |
|--------------------|------------|--------------------------------|----------------|---------------------|----------|---------|----------|------|-----|
| Color RAL 3002     |            |                                |                |                     |          |         |          |      |     |
| Painting plan 203A |            |                                |                |                     |          |         |          |      |     |
| Mounting V18       |            |                                |                |                     |          |         |          |      |     |
|                    |            |                                |                |                     | SCALE    | 1:7     |          |      |     |
| ECM                | LOC        | SUMMARY OF MODIFICATIONS       |                |                     | EXECUTED | CHECKED | RELEASED | DATE | VER |
| EXECUTED           | USERADMIN  | THREE PHASE W40 MOTOR HIGH EFF |                |                     |          |         |          |      |     |
| CHECKED            |            | FRAME 284/6JM IP23 ODP         |                |                     |          |         |          |      |     |
| RELEASED           |            | CLOSE COUPLED PUMP JM TYPE   W |                |                     |          |         |          |      |     |
| REL DT             | 16.04.2019 | WMO                            | Jaragua do Sul | Product Engineering | SHEET    | 1 / 1   |          |      |     |

30 HP 04 Poles 60Hz

A

