

DATA SHEET



Three Phase Induction Motor - Squirrel Cage

Customer	: Dealers Industrial Equipment 800-469-3110
Customer reference	: 14832334

Product line	: W40 JM Pump High Efficiency Three-Phase	Product code :	14832334
		Catalog # :	03036OP3VFP284JMV-W4

Frame	: 284/6JM	Locked rotor time	: 28s (cold) 16s (hot)
Output	: 30 HP (22 kW)	Temperature rise	: 80 K
Poles	: 2	Duty cycle	: Cont.(S1)
Frequency	: 60 Hz	Ambient temperature	: -20°C to +40°C
Rated voltage	: 200/400 V	Altitude	: 1000 m.a.s.l.
Rated current	: 80.3/40.1 A	Protection degree	: IP23
L. R. Amperes	: 498/249 A	Cooling method	: IC01 - ODP
LRC	: 6.2x(Code G)	Mounting	: W-6
No load current	: 25.3/12.7 A	Rotation ¹	: Both (CW and CCW)
Rated speed	: 3540 rpm	Starting method	: Direct On Line
Slip	: 1.67 %	Approx. weight ³	: 324 lb
Rated torque	: 43.9 ft.lb		
Locked rotor torque	: 170 %		
Breakdown torque	: 260 %		
Insulation class	: F		
Service factor	: 1.15		
Moment of inertia (J)	: 1.59 sq.ft.lb		
Design	: B		

Output	25%	50%	75%	100%	Foundation loads
Efficiency (%)	90.0	90.2	91.0	91.0	Max. traction
Power Factor	0.50	0.74	0.83	0.87	Max. compression

	Drive end	Non drive end
Bearing type	: 6311 Z C3	6211 Z C3
Sealing	: Without Bearing Seal	Without Bearing Seal
Lubrication interval	: 11517 h	14226 h
Lubricant amount	: 18 g	11 g
Lubricant type	: Mobil Polyrex EM	

Notes
downloaded from <http://dealerselectric.com>

<p>This revision replaces and cancel the previous one, which must be eliminated.</p> <p>(1) Looking the motor from the shaft end.</p> <p>(2) Measured at 1m and with tolerance of +3dB(A).</p> <p>(3) Approximate weight subject to changes after manufacturing process.</p> <p>(4) At 100% of full load.</p>	<p>These are average values based on tests with sinusoidal power supply, subject to the tolerances stipulated in NEMA MG-1.</p>
---	---

Rev.	Changes Summary	Performed	Checked	Date
Performed by				
Checked by			Page	Revision
Date	16/04/2019		1 / 2	

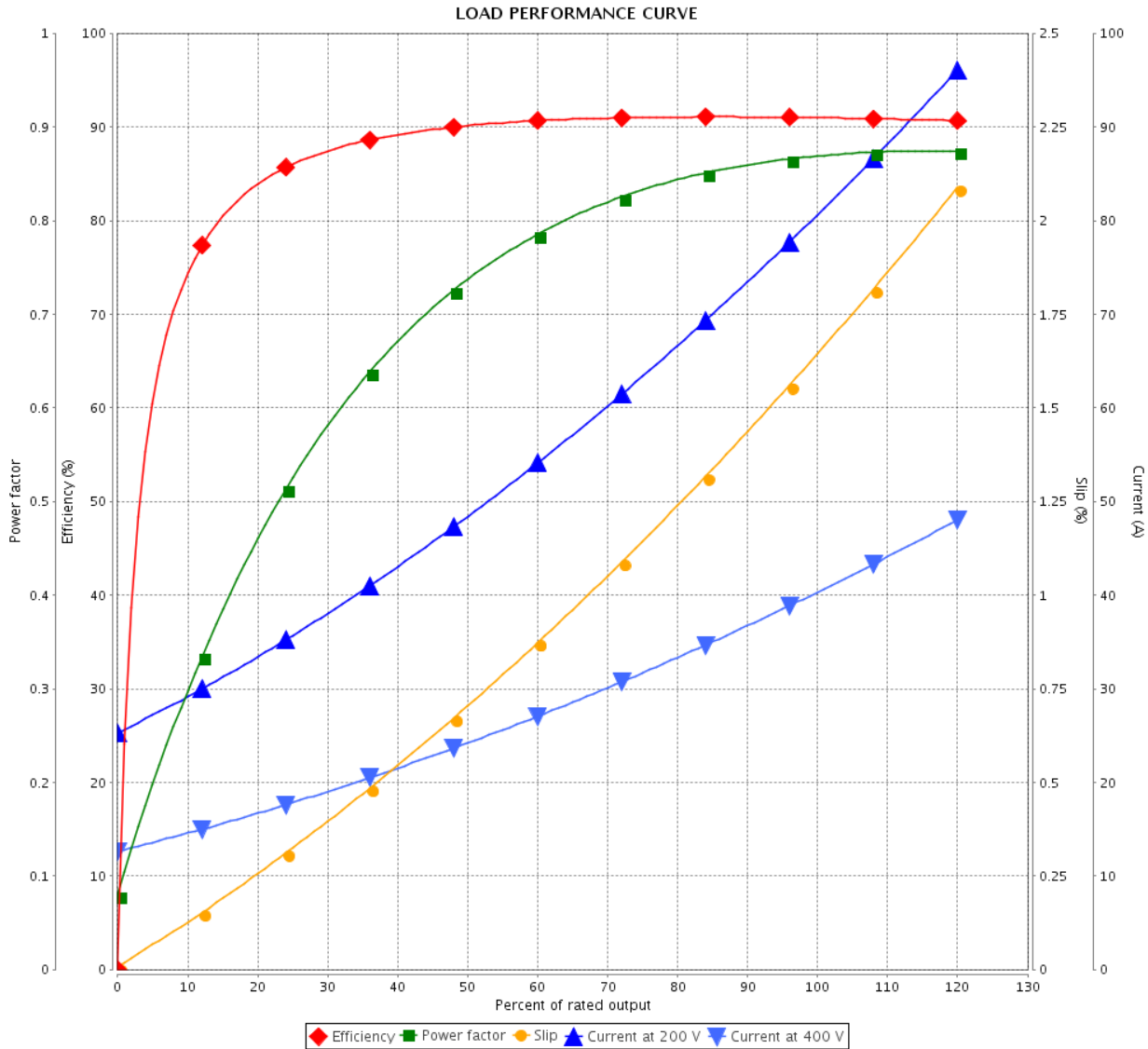
LOAD PERFORMANCE CURVE



Three Phase Induction Motor - Squirrel Cage

Customer : Dealers Industrial Equipment 800-469-3110
 Customer reference : 14832334

Product line : W40 JM Pump High Efficiency Three-Phase Product code : 14832334
 Catalog # : 03036OP3VFP284JMV-W4



Performance : 200/400 V 60 Hz 2P

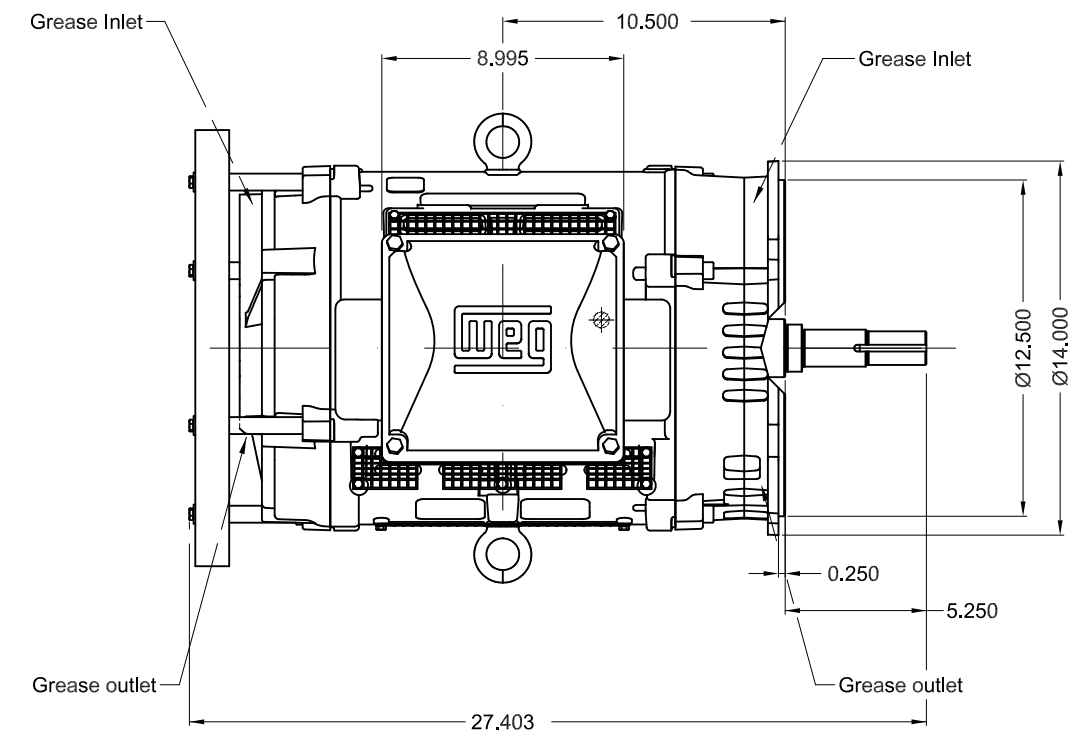
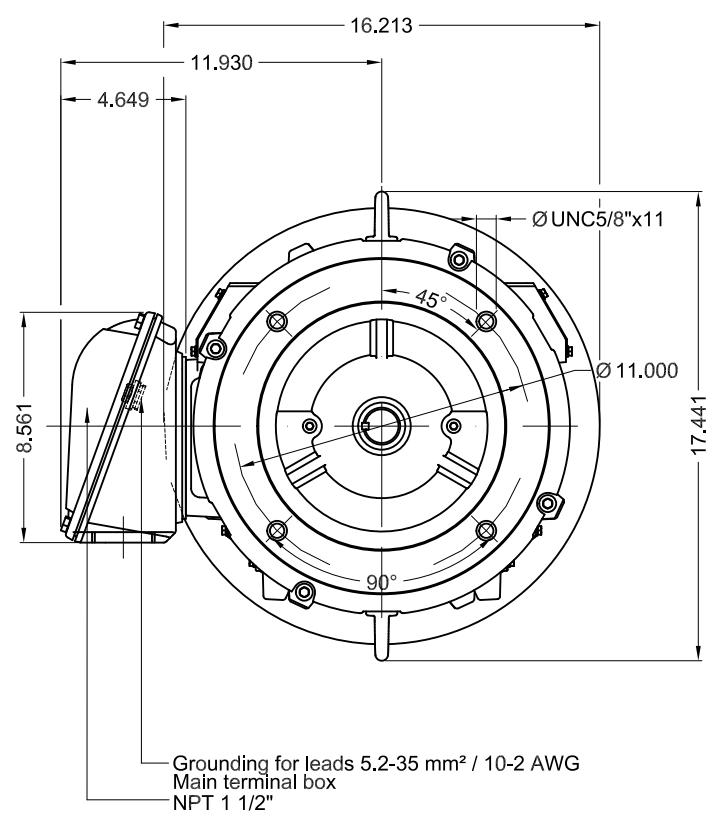
Rated current : 80.3/40.1 A
 LRC : 6.2
 Rated torque : 43.9 ft.lb
 Locked rotor torque : 170 %
 Breakdown torque : 260 %
 Rated speed : 3540 rpm

Moment of inertia (J) : 1.59 sq.ft.lb
 Duty cycle : Cont.(S1)
 Insulation class : F
 Service factor : 1.15
 Temperature rise : 80 K
 Design : B

Rev.	Changes Summary	Performed	Checked	Date
Performed by			Page 2 / 2	Revision
Checked by				
Date	16/04/2019			

Dimensões em polegada
Dimensions in inches

THIS IS AN UPDATED REVISION, THE
PREVIOUS ONE MUST BE DISREGARDED.



Color RAL 3002									
Painting plan 203A									
Mounting V18									
					SCALE	1:7			
ECM	LOC	SUMMARY OF MODIFICATIONS			EXECUTED	CHECKED	RELEASED	DATE	VER
EXECUTED	USERADMIN	THREE PHASE W40 MOTOR HIGH EFF							
CHECKED		FRAME 284/6JM IP23 ODP							
RELEASED		CLOSE COUPLED PUMP JM TYPE W							
REL DT	16.04.2019	WMO	Jaragua do Sul	Product Engineering	SHEET	1 / 1			

30 HP 02 Poles 60Hz

A

