

# DATA SHEET



## Three Phase Induction Motor - Squirrel Cage

Customer		: Dealers Industrial Equipment 800-469-3110				
Customer reference		: 14830339				
Product line		: W40 JP Pump High Efficiency Three-Phase		Product code : 14830339		
				Catalog # : 02518OP3EFP284JPV-W4		
Frame		: 284/6JP		Locked rotor time		
Output		: 25 HP (18.5 kW)		: 41s (cold) 23s (hot)		
Poles		: 4		Temperature rise		
Frequency		: 60 Hz		: 80 K		
Rated voltage		: 208-230/460 V		Duty cycle		
Rated current		: 66.6-60.2/30.1 A		: Cont.(S1)		
L. R. Amperes		: 399-361/181 A		Ambient temperature		
LRC		: 6.0x(Code G)		: -20°C to +40°C		
No load current		: 17.2-20.0/10.0 A		Altitude		
Rated speed		: 1765 rpm		: 1000 m.a.s.l.		
Slip		: 1.94 %		Protection degree		
Rated torque		: 73.4 ft.lb		: IP23		
Locked rotor torque		: 229 %		Cooling method		
Breakdown torque		: 229 %		: IC01 - ODP		
Insulation class		: F		Mounting		
Service factor		: 1.15		: W-6		
Moment of inertia (J)		: 2.88 sq.ft.lb		Rotation <sup>1</sup>		
Design		: B		: Both (CW and CCW)		
				Starting method		
				: Direct On Line		
				Approx. weight <sup>3</sup>		
				: 331 lb		
Output	25%	50%	75%	100%	Foundation loads	
Efficiency (%)	90.8	91.0	91.7	91.7	Max. traction	
Power Factor	0.46	0.68	0.79	0.84	Max. compression	
		<u>Drive end</u>		<u>Non drive end</u>		
Bearing type		: 6311 Z C3		6211 Z C3		
Sealing		: Without Bearing Seal		Without Bearing Seal		
Lubrication interval		: 20000 h		20000 h		
Lubricant amount		: 18 g		11 g		
Lubricant type		: Mobil Polyrex EM				
Notes downloaded from <a href="http://dealerselectric.com">http://dealerselectric.com</a>						
This revision replaces and cancel the previous one, which must be eliminated. (1) Looking the motor from the shaft end. (2) Measured at 1m and with tolerance of +3dB(A). (3) Approximate weight subject to changes after manufacturing process. (4) At 100% of full load.			These are average values based on tests with sinusoidal power supply, subject to the tolerances stipulated in NEMA MG-1.			
Rev.	Changes Summary			Performed	Checked	Date
Performed by						
Checked by					Page	Revision
Date	16/04/2019				1 / 2	

# LOAD PERFORMANCE CURVE



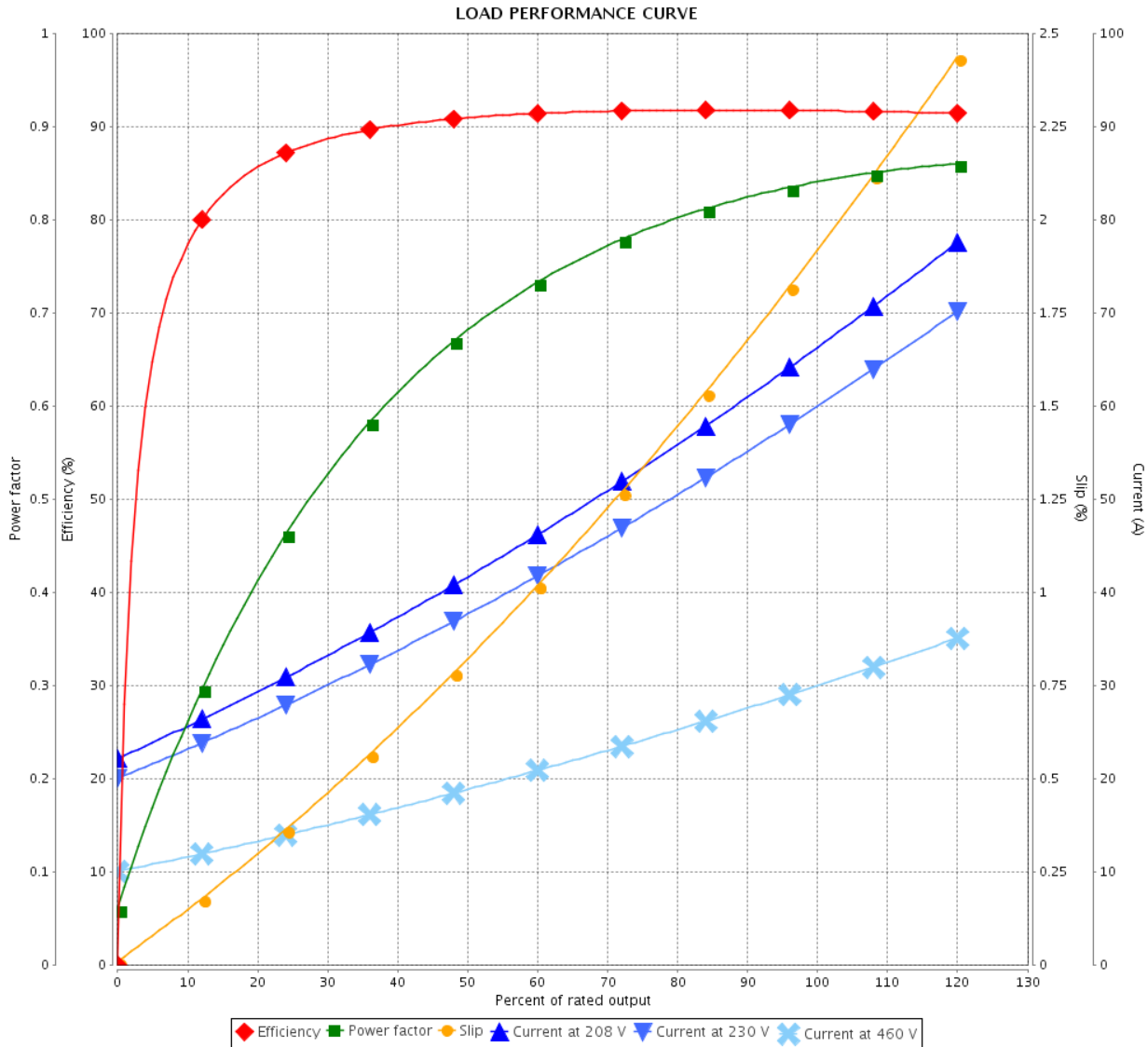
## Three Phase Induction Motor - Squirrel Cage

Customer : Dealers Industrial Equipment 800-469-3110  
 Customer reference : 14830339

Product line : W40 JP Pump High Efficiency  
 Three-Phase

Product code : 14830339

Catalog # : 02518OP3EFP284JPV-W4



Performance : 208-230/460 V 60 Hz 4P

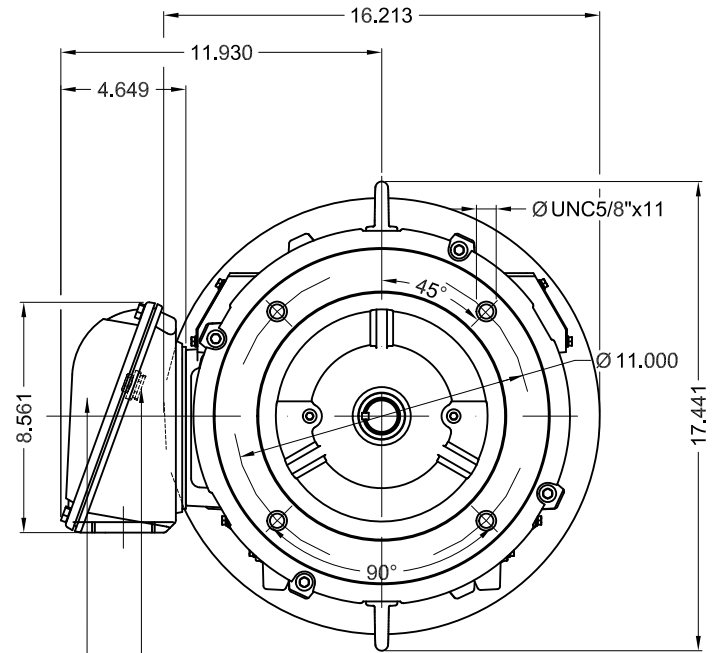
Rated current : 66.6-60.2/30.1 A  
 LRC : 6.0  
 Rated torque : 73.4 ft.lb  
 Locked rotor torque : 229 %  
 Breakdown torque : 229 %  
 Rated speed : 1765 rpm

Moment of inertia (J) : 2.88 sq.ft.lb  
 Duty cycle : Cont.(S1)  
 Insulation class : F  
 Service factor : 1.15  
 Temperature rise : 80 K  
 Design : B

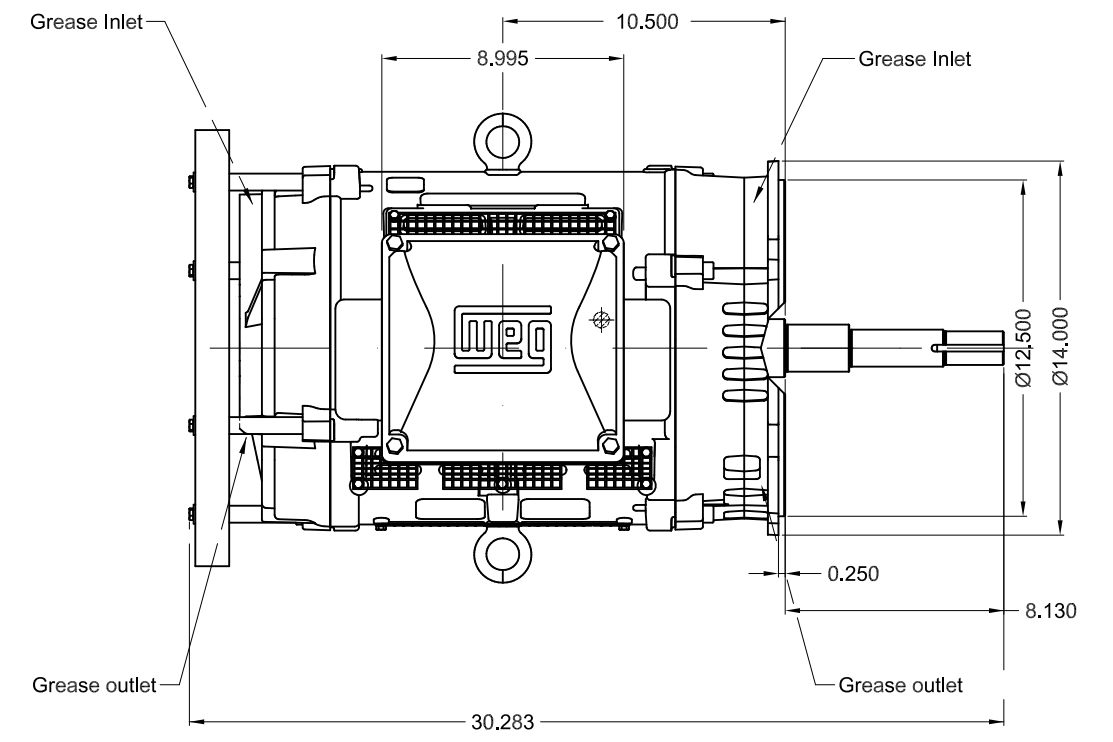
Rev.	Changes Summary	Performed	Checked	Date
Performed by			Page 2 / 2	Revision
Checked by				
Date	16/04/2019			

Dimensões em polegada  
Dimensions in inches

THIS IS AN UPDATED REVISION, THE  
PREVIOUS ONE MUST BE DISREGARDED.



Grounding for leads 5.2-35 mm<sup>2</sup> / 10-2 AWG  
Main terminal box  
NPT 1 1/2"



Color RAL 3002  
Painting plan 203A  
Mounting V18

SCALE 1:7

ECM	LOC	SUMMARY OF MODIFICATIONS	EXECUTED	CHECKED	RELEASED	DATE	VER
EXECUTED	USERADMIN	THREE PHASE W40 MOTOR HIGH EFF					
CHECKED		FRAME 284/6JP IP23 ODP					
RELEASED		CLOSE COUPLED PUMP JP TYPE   W					
REL DT	16.04.2019	WMO Jaragua do Sul	Product Engineering	SHEET	1 / 1		



25 HP 04 Poles 60Hz

A