

DATA SHEET



Three Phase Induction Motor - Squirrel Cage

| | | | | | |
|--|---|------|--|------------------------|----------|
| Customer | : Dealers Industrial Equipment 800-469-3110 | | | | |
| Customer reference | : 14830323 | | | | |
| Product line | : W40 JP Pump High Efficiency Three-Phase | | Product code : | 14830323 | |
| | | | Catalog # : | 04018OP3HFP324JPV-W4 | |
| Frame | : 324/6JP | | Locked rotor time | : 36s (cold) 20s (hot) | |
| Output | : 40 HP (30 kW) | | Temperature rise | : 80 K | |
| Poles | : 4 | | Duty cycle | : Cont.(S1) | |
| Frequency | : 60 Hz | | Ambient temperature | : -20°C to +40°C | |
| Rated voltage | : 575 V | | Altitude | : 1000 m.a.s.l. | |
| Rated current | : 38.6 A | | Protection degree | : IP23 | |
| L. R. Amperes | : 231 A | | Cooling method | : IC01 - ODP | |
| LRC | : 6.0x(Code G) | | Mounting | : W-6 | |
| No load current | : 14.4 A | | Rotation ¹ | : Both (CW and CCW) | |
| Rated speed | : 1775 rpm | | Starting method | : Direct On Line | |
| Slip | : 1.39 % | | Approx. weight ³ | : 459 lb | |
| Rated torque | : 117 ft.lb | | | | |
| Locked rotor torque | : 180 % | | | | |
| Breakdown torque | : 210 % | | | | |
| Insulation class | : F | | | | |
| Service factor | : 1.15 | | | | |
| Moment of inertia (J) | : 5.37 sq.ft.lb | | | | |
| Design | : B | | | | |
| Output | 25% | 50% | 75% | 100% | |
| Efficiency (%) | 92.2 | 92.4 | 93.0 | 93.0 | |
| Power Factor | 0.46 | 0.72 | 0.81 | 0.84 | |
| | Foundation loads | | | | |
| | Max. traction | | | | |
| | Max. compression | | | | |
| | <u>Drive end</u> | | <u>Non drive end</u> | | |
| Bearing type | : 6312 Z C3 | | 6211 Z C3 | | |
| Sealing | : Without Bearing Seal | | Without Bearing Seal | | |
| Lubrication interval | : 20000 h | | 20000 h | | |
| Lubricant amount | : 21 g | | 11 g | | |
| Lubricant type | : Mobil Polyrex EM | | | | |
| Notes downloaded from http://dealerselectric.com | | | | | |
| This revision replaces and cancel the previous one, which must be eliminated. (1) Looking the motor from the shaft end. (2) Measured at 1m and with tolerance of +3dB(A). (3) Approximate weight subject to changes after manufacturing process. (4) At 100% of full load. | | | These are average values based on tests with sinusoidal power supply, subject to the tolerances stipulated in NEMA MG-1. | | |
| Rev. | Changes Summary | | Performed | Checked | Date |
| Performed by | | | | | |
| Checked by | | | | Page | Revision |
| Date | 16/04/2019 | | | 1 / 2 | |

LOAD PERFORMANCE CURVE



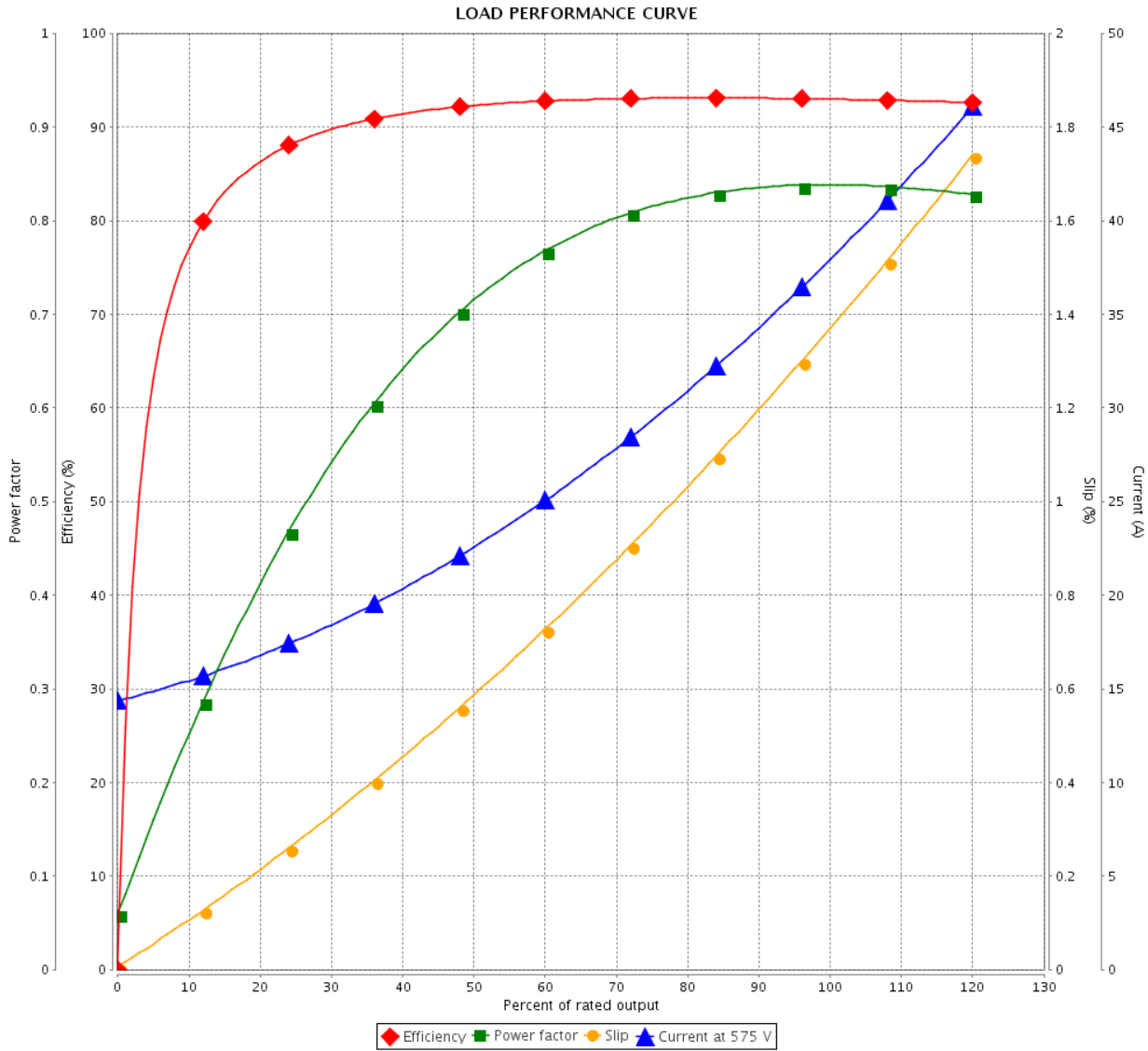
Three Phase Induction Motor - Squirrel Cage

Customer : Dealers Industrial Equipment 800-469-3110
 Customer reference : 14830323

Product line : W40 JP Pump High Efficiency
 Three-Phase

Product code : 14830323

Catalog # : 04018OP3HFP324JPV-W4



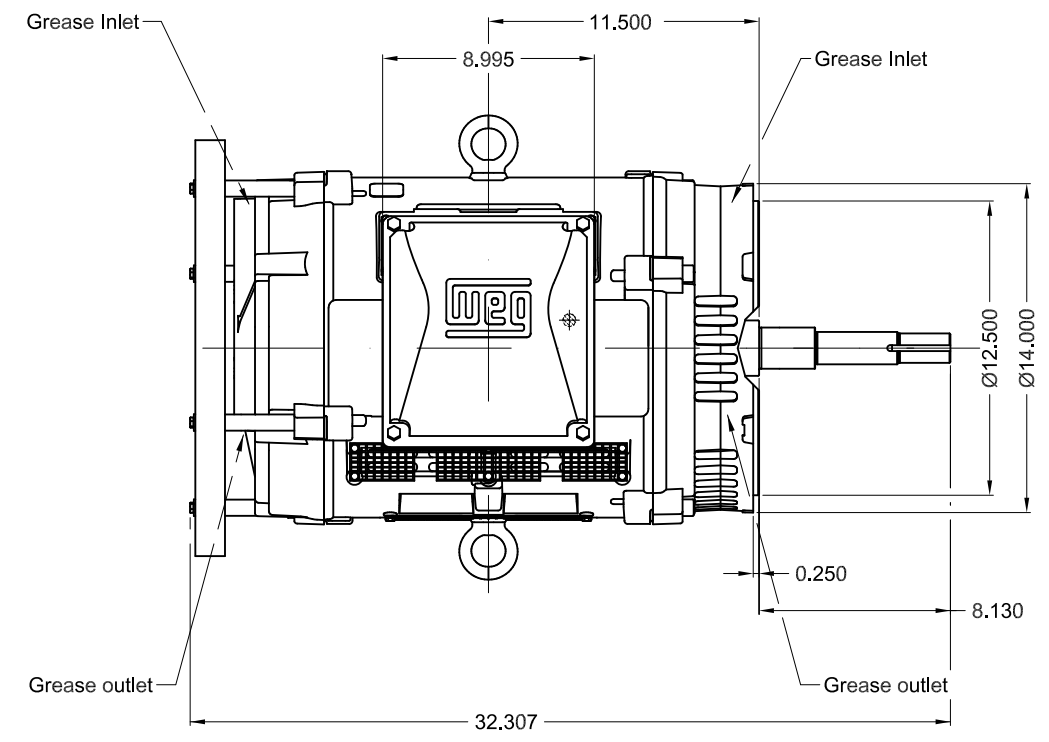
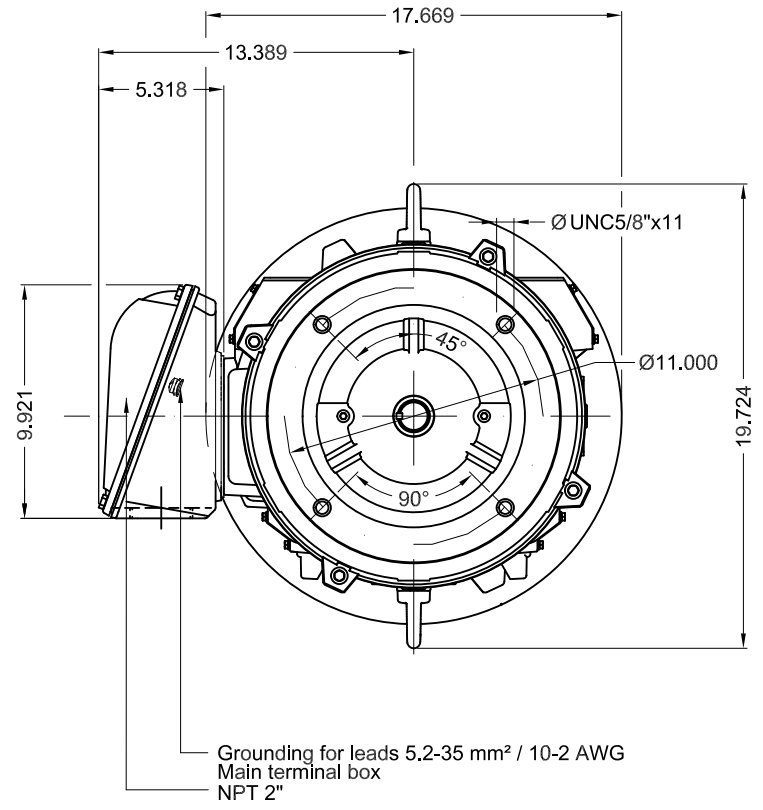
Performance : 575 V 60 Hz 4P

| | |
|-----------------------------|---------------------------------------|
| Rated current : 38.6 A | Moment of inertia (J) : 5.37 sq.ft.lb |
| LRC : 6.0 | Duty cycle : Cont.(S1) |
| Rated torque : 117 ft.lb | Insulation class : F |
| Locked rotor torque : 180 % | Service factor : 1.15 |
| Breakdown torque : 210 % | Temperature rise : 80 K |
| Rated speed : 1775 rpm | Design : B |

| Rev. | Changes Summary | Performed | Checked | Date |
|--------------|-----------------|-----------|---------------|----------|
| | | | | |
| Performed by | | | Page 2 / 2 | Revision |
| Checked by | | | | |
| Date | 16/04/2019 | | | |

Dimensões em polegada
Dimensions in inches

THIS IS AN UPDATED REVISION, THE
PREVIOUS ONE MUST BE DISREGARDED.



| | | | | | | | | | |
|--------------------|------------|--------------------------------|----------------|---------------------|----------|---------|----------|------|-----|
| Color RAL 3002 | | | | | | | | | |
| Painting plan 203A | | | | | | | | | |
| Mounting V18 | | | | | | | | | |
| | | | | | SCALE | 1:8 | | | |
| ECM | LOC | SUMMARY OF MODIFICATIONS | | | EXECUTED | CHECKED | RELEASED | DATE | VER |
| EXECUTED | USERADMIN | THREE PHASE W40 MOTOR HIGH EFF | | | | | | | |
| CHECKED | | FRAME 324/6JP IP23 ODP | | | | | | | |
| RELEASED | | CLOSE COUPLED PUMP JP TYPE W | | | | | | | |
| REL DT | 16.04.2019 | WMO | Jaragua do Sul | Product Engineering | SHEET | 1 / 1 | | | |

40 HP 04 Poles 60Hz

A

