

DATA SHEET



Three Phase Induction Motor - Squirrel Cage

Customer : Dealers Industrial Equipment 800-469-3110
 Customer reference : 14829936

Product line : W40 JP Pump High Efficiency Three-Phase Product code : 14829936
 Catalog # : 07518OP3VFP365JPV-W4

Frame : 364/5JP	Locked rotor time : 34s (cold) 19s (hot)
Output : 75 HP (55 kW)	Temperature rise : 80 K
Poles : 4	Duty cycle : Cont.(S1)
Frequency : 60 Hz	Ambient temperature : -20°C to +40°C
Rated voltage : 200/400 V	Altitude : 1000 m.a.s.l.
Rated current : 196/98.1 A	Protection degree : IP23
L. R. Amperes : 1236/618 A	Cooling method : IC01 - ODP
LRC : 6.3x(Code G)	Mounting : W-6
No load current : 57.5/28.8 A	Rotation ¹ : Both (CW and CCW)
Rated speed : 1775 rpm	Starting method : Direct On Line
Slip : 1.39 %	Approx. weight ³ : 774 lb
Rated torque : 219 ft.lb	
Locked rotor torque : 180 %	
Breakdown torque : 229 %	
Insulation class : F	
Service factor : 1.15	
Moment of inertia (J) : 15.2 sq.ft.lb	
Design : B	

Output	25%	50%	75%	100%	Foundation loads
Efficiency (%)	93.5	93.6	94.1	94.1	Max. traction : 1362 lb
Power Factor	0.52	0.75	0.83	0.86	Max. compression : 2136 lb

		<u>Drive end</u>	<u>Non drive end</u>
Bearing type :		6314 C3	6212 Z C3
Sealing :		Without Bearing Seal	Without Bearing Seal
Lubrication interval :		19579 h	20000 h
Lubricant amount :		27 g	13 g
Lubricant type :		Mobil Polyrex EM	

Notes
 downloaded from <http://dealerselectric.com>

This revision replaces and cancel the previous one, which must be eliminated.
 (1) Looking the motor from the shaft end.
 (2) Measured at 1m and with tolerance of +3dB(A).
 (3) Approximate weight subject to changes after manufacturing process.
 (4) At 100% of full load.

These are average values based on tests with sinusoidal power supply, subject to the tolerances stipulated in NEMA MG-1.

Rev.	Changes Summary	Performed	Checked	Date
Performed by				
Checked by			Page	Revision
Date	16/04/2019		1 / 2	

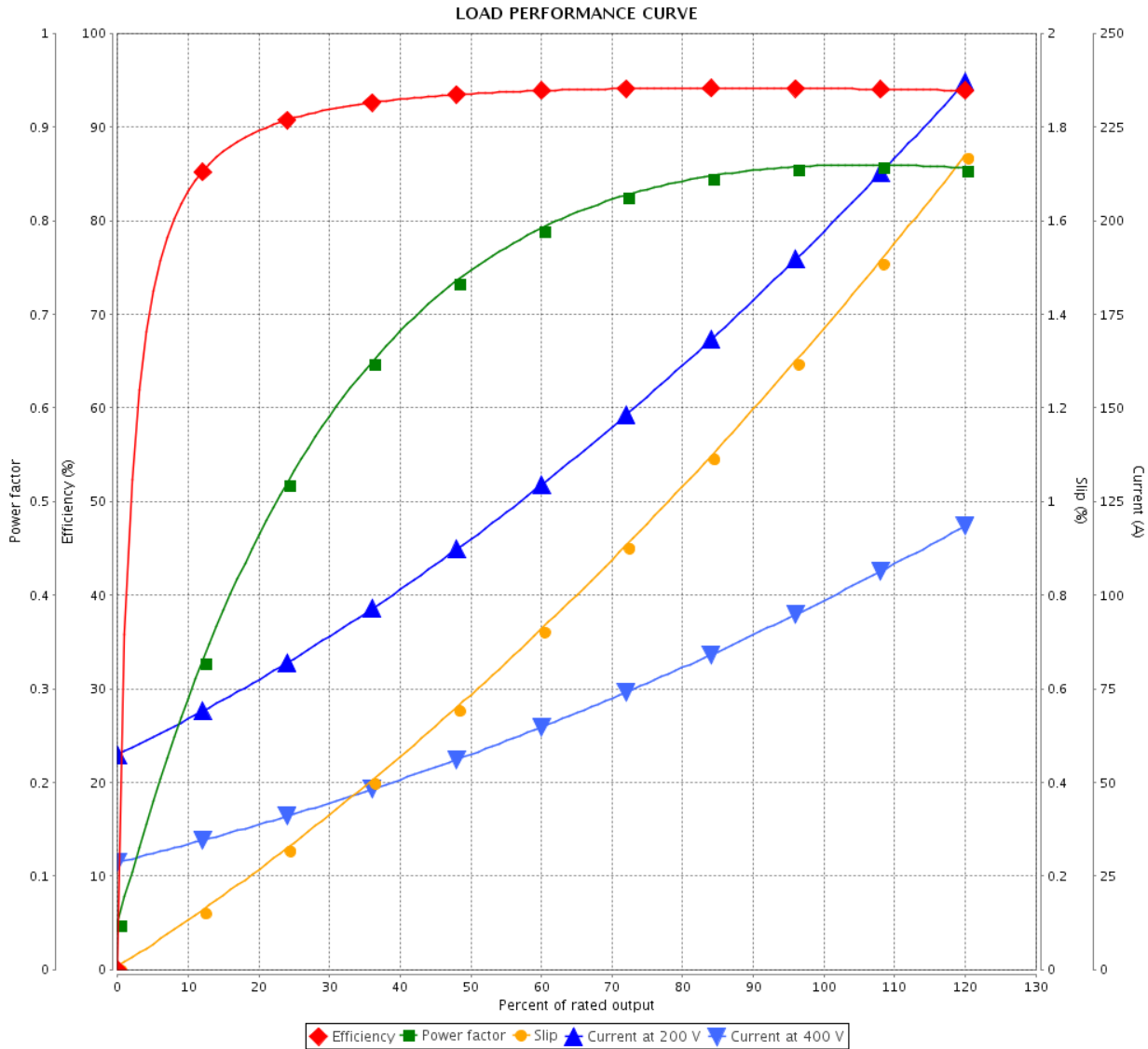
LOAD PERFORMANCE CURVE



Three Phase Induction Motor - Squirrel Cage

Customer : Dealers Industrial Equipment 800-469-3110
 Customer reference : 14829936

Product line : W40 JP Pump High Efficiency Three-Phase Product code : 14829936
 Catalog # : 07518OP3VFP365JPV-W4



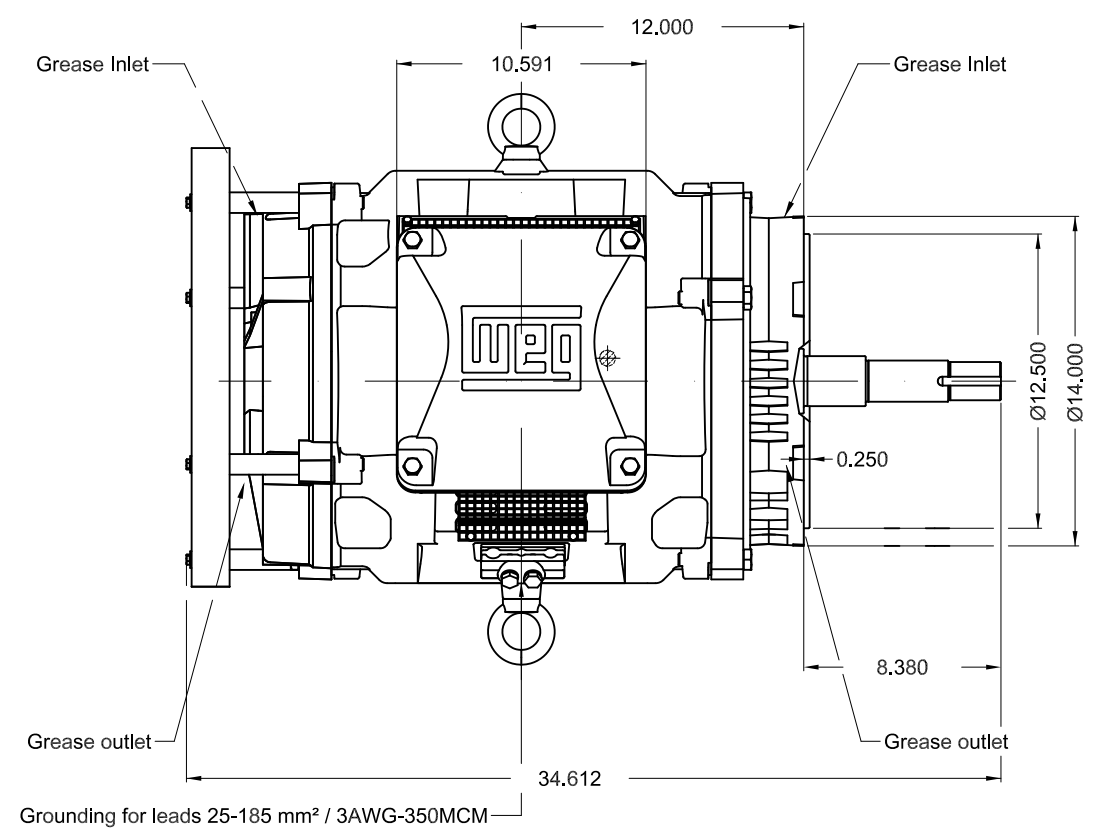
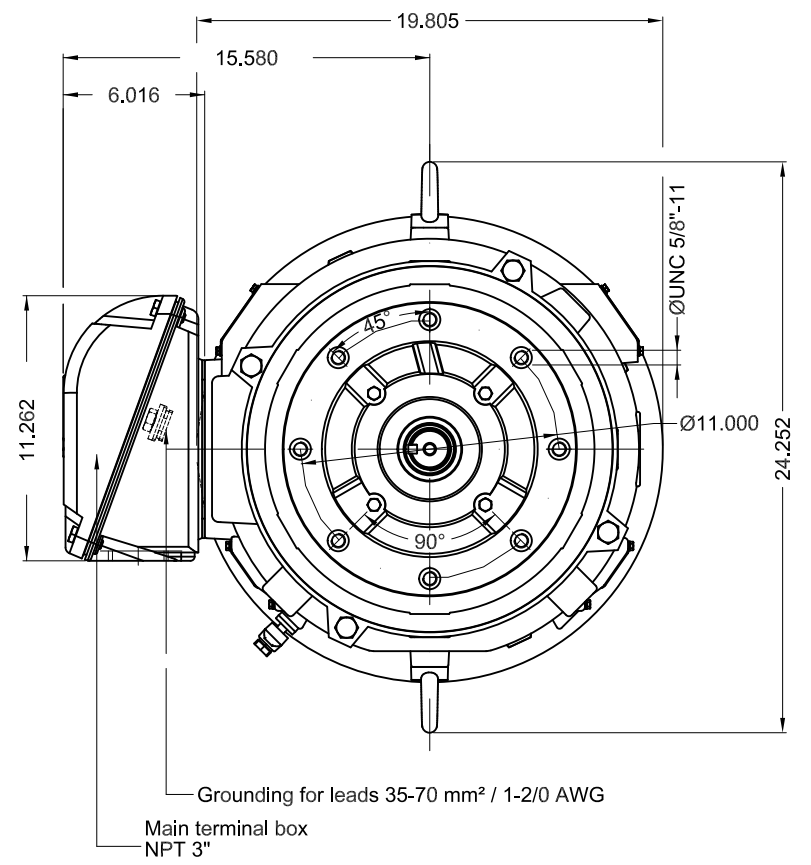
Performance : 200/400 V 60 Hz 4P

Rated current : 196/98.1 A	Moment of inertia (J) : 15.2 sq.ft.lb
LRC : 6.3	Duty cycle : Cont.(S1)
Rated torque : 219 ft.lb	Insulation class : F
Locked rotor torque : 180 %	Service factor : 1.15
Breakdown torque : 229 %	Temperature rise : 80 K
Rated speed : 1775 rpm	Design : B

Rev.	Changes Summary	Performed	Checked	Date
Performed by			Page 2 / 2	Revision
Checked by				
Date	16/04/2019			

Dimensões em polegada
Dimensions in inches

THIS IS AN UPDATED REVISION, THE
PREVIOUS ONE MUST BE DISREGARDED.



Color RAL 3002									
Painting plan 203A									
Mounting V18									
					SCALE	1:8			
ECM	LOC	SUMMARY OF MODIFICATIONS			EXECUTED	CHECKED	RELEASED	DATE	VER
EXECUTED	USERADMIN	THREE PHASE W40 MOTOR HIGH EFF							
CHECKED		FRAME 364/5JP IP23 ODP							
RELEASED		CLOSE COUPLED PUMP JP TYPE W							
REL DT	16.04.2019	WMO	Jaragua do Sul	Product Engineering	SHEET	1 / 1			

75 HP 04 Poles 60Hz

A

