

LOAD PERFORMANCE CURVE

Three Phase Induction Motor - Squirrel Cage

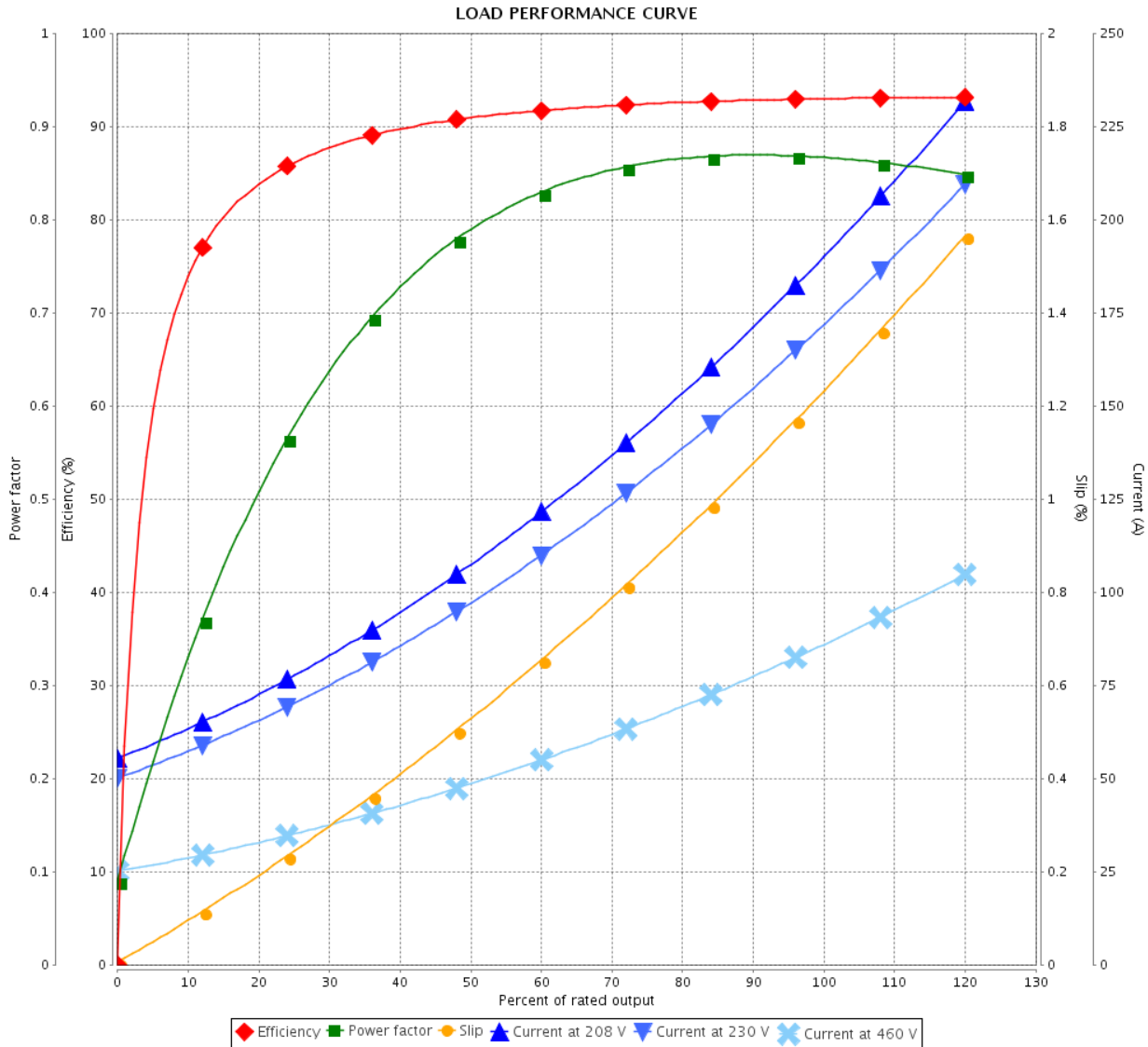


Customer : Dealers Industrial Equipment 800-469-3110
 Customer reference : 14829574

Product line : W40 JP Pump High Efficiency
 Three-Phase

Product code : 14829574

Catalog # : 07536OP3EFP364JPV-W4



Performance : 208-230/460 V 60 Hz 2P

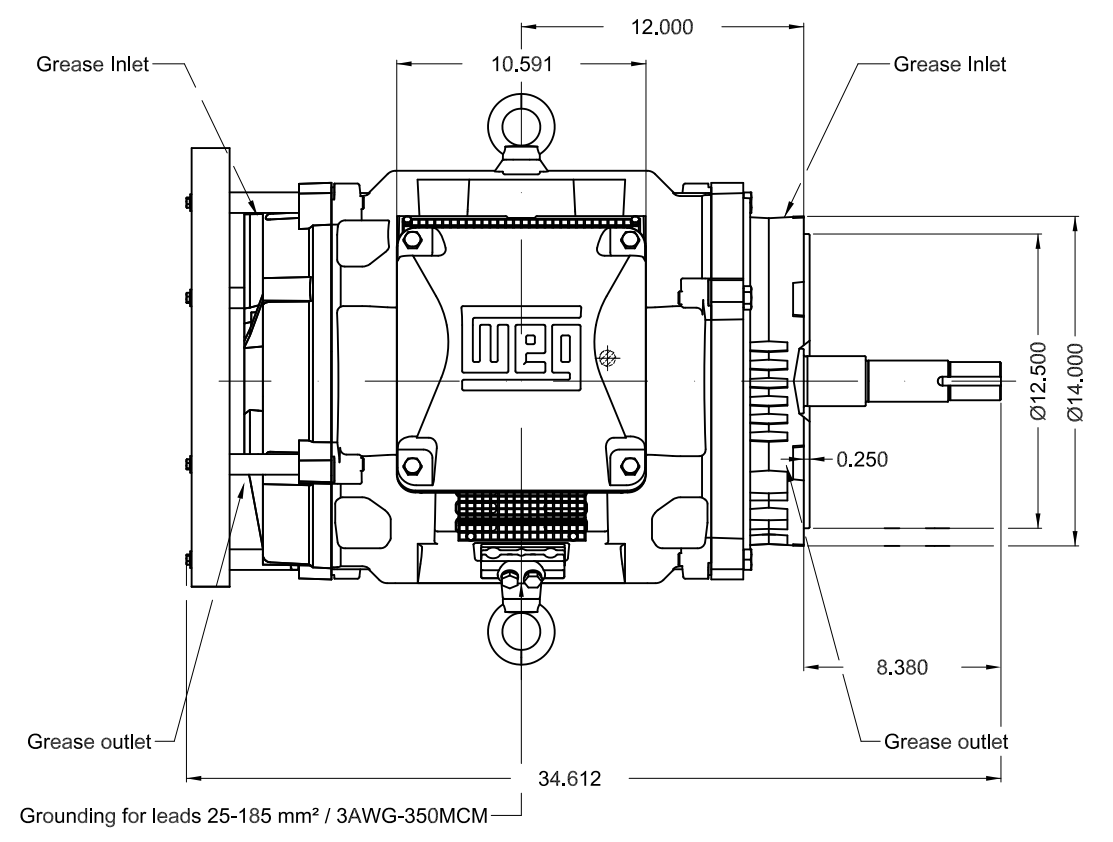
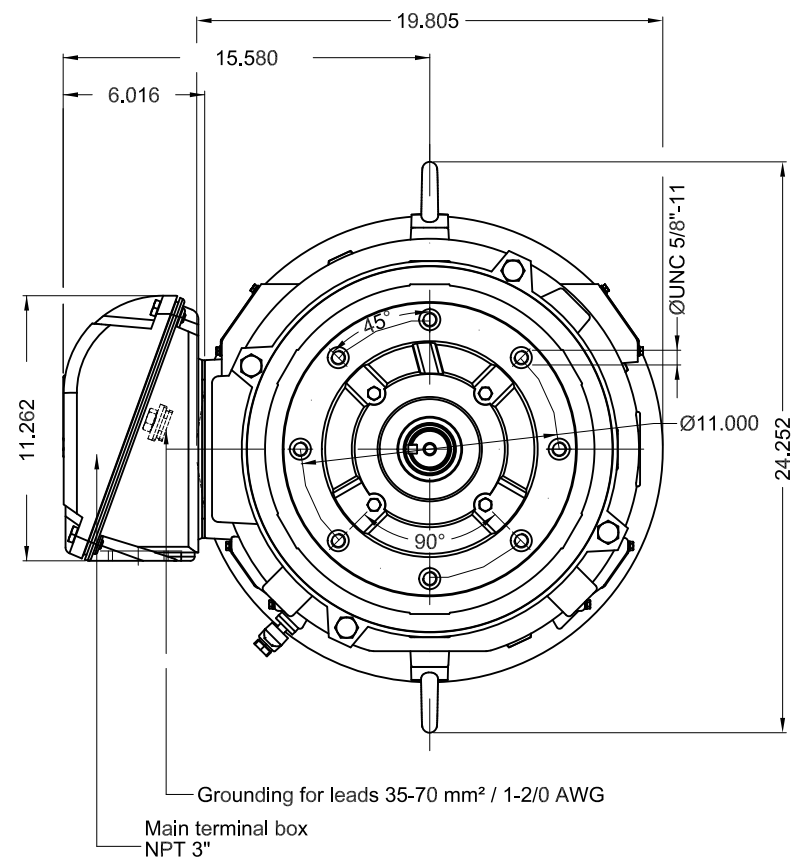
Rated current : 186-171/85.3 A
 LRC : 5.8
 Rated torque : 109 ft.lb
 Locked rotor torque : 160 %
 Breakdown torque : 210 %
 Rated speed : 3555 rpm

Moment of inertia (J) : 5.60 sq.ft.lb
 Duty cycle : Cont.(S1)
 Insulation class : F
 Service factor : 1.15
 Temperature rise : 80 K
 Design : B

Rev.	Changes Summary	Performed	Checked	Date
Performed by		Page		Revision
Checked by		2 / 2		
Date		16/04/2019		

Dimensões em polegada
Dimensions in inches

THIS IS AN UPDATED REVISION, THE
PREVIOUS ONE MUST BE DISREGARDED.



Color RAL 3002									
Painting plan 203A									
Mounting V18									
					SCALE	1:8			
ECM	LOC	SUMMARY OF MODIFICATIONS			EXECUTED	CHECKED	RELEASED	DATE	VER
EXECUTED	USERADMIN	THREE PHASE W40 MOTOR HIGH EFF							
CHECKED		FRAME 364/5JP IP23 ODP							
RELEASED		CLOSE COUPLED PUMP JP TYPE W							
REL DT	16.04.2019	WMO	Jaragua do Sul	Product Engineering	SHEET	1 / 1			

75 HP 02 Poles 60Hz

A

