

# DATA SHEET



## Three Phase Induction Motor - Squirrel Cage

Customer	: Dealers Industrial Equipment 800-469-3110				
Customer reference	: 14829367				
Product line	: W40 JP Pump High Efficiency Three-Phase		Product code :	14829367	
			Catalog # :	06036OP3VFP326JPV-W4	
Frame	: 324/6JP		Locked rotor time	: 30s (cold) 17s (hot)	
Output	: 60 HP (45 kW)		Temperature rise	: 80 K	
Poles	: 2		Duty cycle	: Cont.(S1)	
Frequency	: 60 Hz		Ambient temperature	: -20°C to +40°C	
Rated voltage	: 200/400 V		Altitude	: 1000 m.a.s.l.	
Rated current	: 162/81.2 A		Protection degree	: IP23	
L. R. Amperes	: 958/479 A		Cooling method	: IC01 - ODP	
LRC	: 5.9x(Code F)		Mounting	: W-6	
No load current	: 46.7/23.3 A		Rotation <sup>1</sup>	: Both (CW and CCW)	
Rated speed	: 3555 rpm		Starting method	: Direct On Line	
Slip	: 1.25 %		Approx. weight <sup>3</sup>	: 490 lb	
Rated torque	: 87.4 ft.lb				
Locked rotor torque	: 180 %				
Breakdown torque	: 200 %				
Insulation class	: F				
Service factor	: 1.15				
Moment of inertia (J)	: 3.41 sq.ft.lb				
Design	: B				
Output	25%	50%	75%	100%	
Efficiency (%)	92.3	92.4	93.0	93.0	
Power Factor	0.54	0.78	0.84	0.86	
	Foundation loads				
	Max. traction				
	Max. compression				
	<u>Drive end</u>		<u>Non drive end</u>		
Bearing type	: 6312 Z C3		: 6211 Z C3		
Sealing	: Without Bearing Seal		: Without Bearing Seal		
Lubrication interval	: 9829 h		: 14226 h		
Lubricant amount	: 21 g		: 11 g		
Lubricant type	: Mobil Polyrex EM				
Notes downloaded from <a href="http://dealerselectric.com">http://dealerselectric.com</a>					
This revision replaces and cancel the previous one, which must be eliminated. (1) Looking the motor from the shaft end. (2) Measured at 1m and with tolerance of +3dB(A). (3) Approximate weight subject to changes after manufacturing process. (4) At 100% of full load.			These are average values based on tests with sinusoidal power supply, subject to the tolerances stipulated in NEMA MG-1.		
Rev.	Changes Summary		Performed	Checked	Date
Performed by					
Checked by				Page	Revision
Date	16/04/2019			1 / 2	

# LOAD PERFORMANCE CURVE



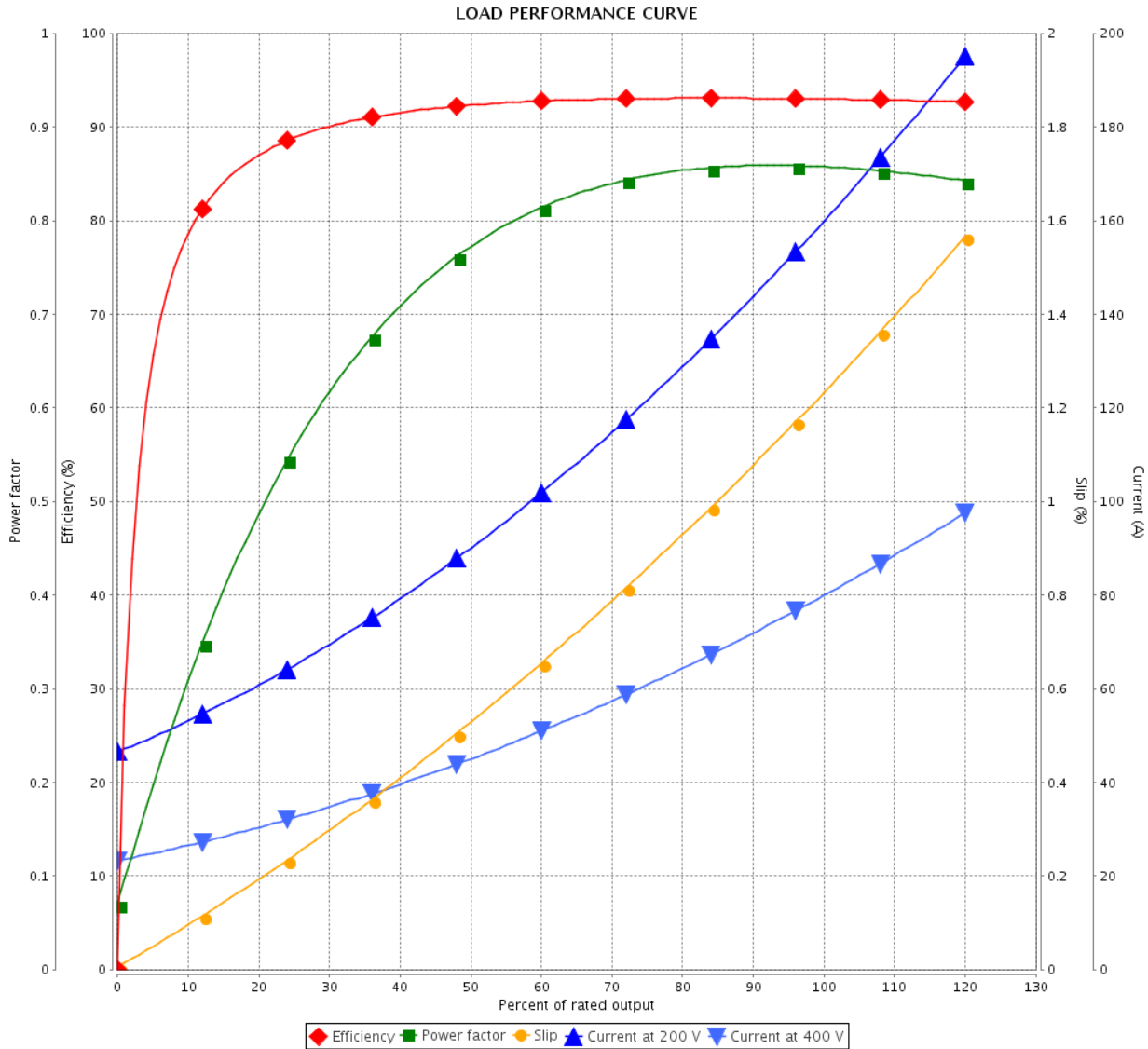
## Three Phase Induction Motor - Squirrel Cage

Customer : Dealers Industrial Equipment 800-469-3110  
 Customer reference : 14829367

Product line : W40 JP Pump High Efficiency  
 Three-Phase

Product code : 14829367

Catalog # : 06036OP3VFP326JPV-W4



Performance : 200/400 V 60 Hz 2P

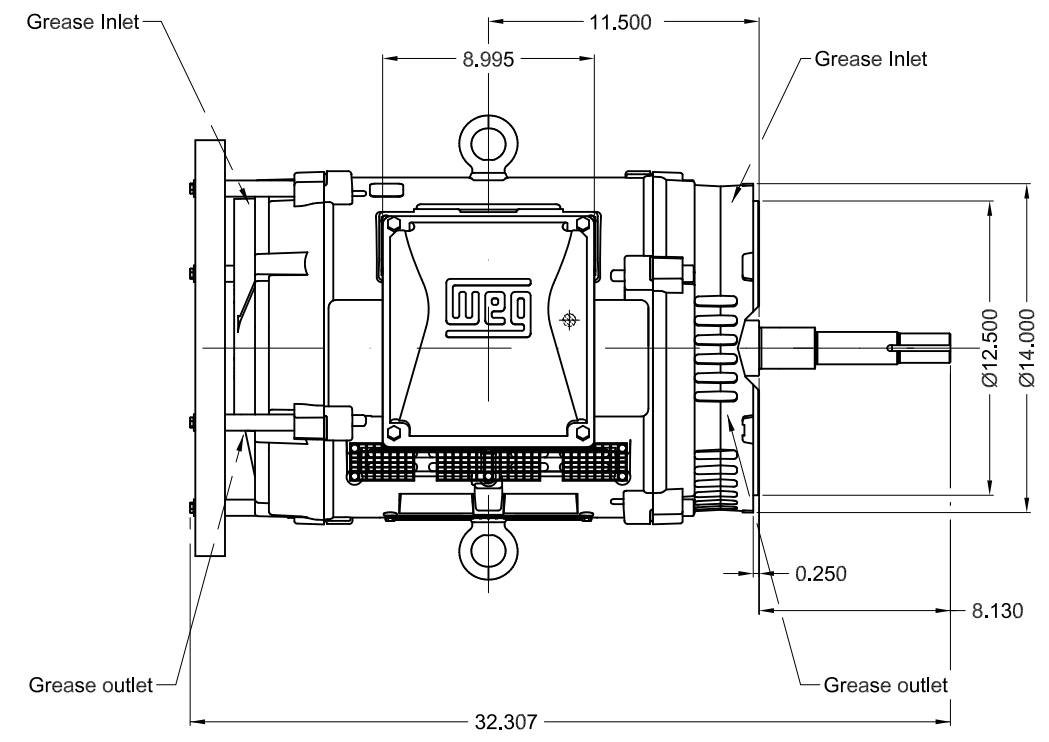
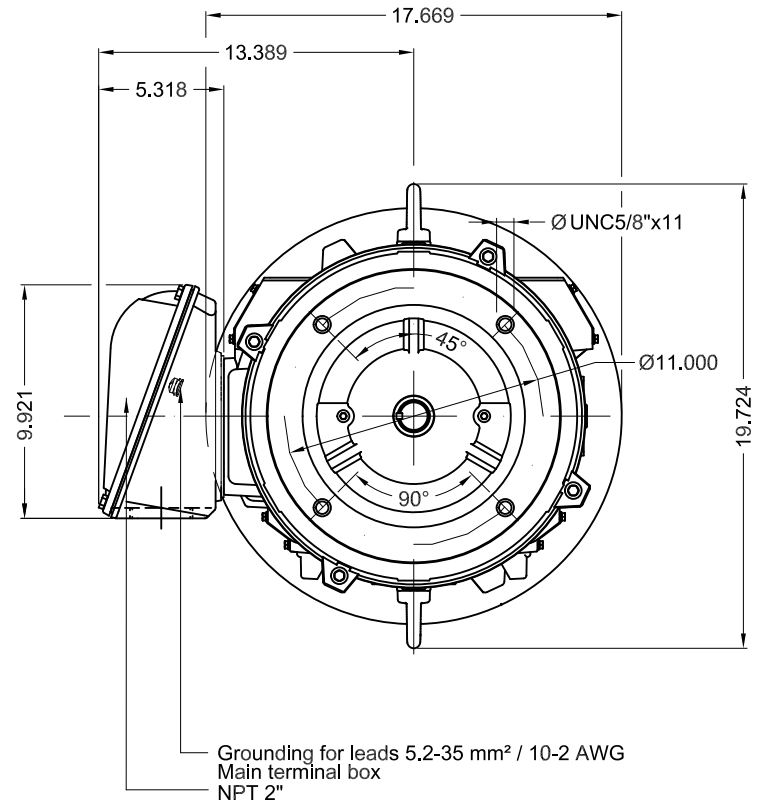
Rated current : 162/81.2 A  
 LRC : 5.9  
 Rated torque : 87.4 ft.lb  
 Locked rotor torque : 180 %  
 Breakdown torque : 200 %  
 Rated speed : 3555 rpm

Moment of inertia (J) : 3.41 sq.ft.lb  
 Duty cycle : Cont.(S1)  
 Insulation class : F  
 Service factor : 1.15  
 Temperature rise : 80 K  
 Design : B

Rev.	Changes Summary	Performed	Checked	Date
Performed by			Page	Revision
Checked by			2 / 2	
Date	16/04/2019			

Dimensões em polegada  
Dimensions in inches

THIS IS AN UPDATED REVISION, THE  
PREVIOUS ONE MUST BE DISREGARDED.



Color RAL 3002									
Painting plan 203A									
Mounting V18									
					SCALE	1:8			
ECM	LOC	SUMMARY OF MODIFICATIONS			EXECUTED	CHECKED	RELEASED	DATE	VER
EXECUTED	USERADMIN	THREE PHASE W40 MOTOR HIGH EFF							
CHECKED		FRAME 324/6JP IP23 ODP							
RELEASED		CLOSE COUPLED PUMP JP TYPE   W							
REL DT	16.04.2019	WMO	Jaragua do Sul	Product Engineering	SHEET	1 / 1			

60 HP 02 Poles 60Hz

A

