

DATA SHEET



Three Phase Induction Motor - Squirrel Cage

Customer : Dealers Industrial Equipment 800-469-3110
 Customer reference : 14829216

Product line : W40 JP Pump High Efficiency Three-Phase Product code : 14829216
 Catalog # : 04036OP3HFP286JPV-W4

Frame : 284/6JP Output : 40 HP (30 kW) Poles : 2 Frequency : 60 Hz Rated voltage : 575 V Rated current : 37.8 A L. R. Amperes : 230 A LRC : 6.1x(Code G) No load current : 11.2 A Rated speed : 3535 rpm Slip : 1.81 % Rated torque : 58.6 ft.lb Locked rotor torque : 170 % Breakdown torque : 250 % Insulation class : F Service factor : 1.15 Moment of inertia (J) : 1.91 sq.ft.lb Design : B	Locked rotor time : 18s (cold) 10s (hot) Temperature rise : 80 K Duty cycle : Cont.(S1) Ambient temperature : -20°C to +40°C Altitude : 1000 m.a.s.l. Protection degree : IP23 Cooling method : IC01 - ODP Mounting : W-6 Rotation ¹ : Both (CW and CCW) Starting method : Direct On Line Approx. weight ³ : 359 lb
--	---

Output	25%	50%	75%	100%	Foundation loads
Efficiency (%)	90.8	91.0	91.7	91.7	Max. traction
Power Factor	0.54	0.78	0.86	0.87	Max. compression

	<u>Drive end</u>	<u>Non drive end</u>
Bearing type :	6311 Z C3	6211 Z C3
Sealing :	Without Bearing Seal	Without Bearing Seal
Lubrication interval :	11517 h	14226 h
Lubricant amount :	18 g	11 g
Lubricant type :	Mobil Polyrex EM	

Notes
 downloaded from <http://dealerselectric.com>

This revision replaces and cancel the previous one, which must be eliminated.
 (1) Looking the motor from the shaft end.
 (2) Measured at 1m and with tolerance of +3dB(A).
 (3) Approximate weight subject to changes after manufacturing process.
 (4) At 100% of full load.

These are average values based on tests with sinusoidal power supply, subject to the tolerances stipulated in NEMA MG-1.

Rev.	Changes Summary	Performed	Checked	Date
Performed by		Page		Revision
Checked by		1 / 2		
Date	16/04/2019			

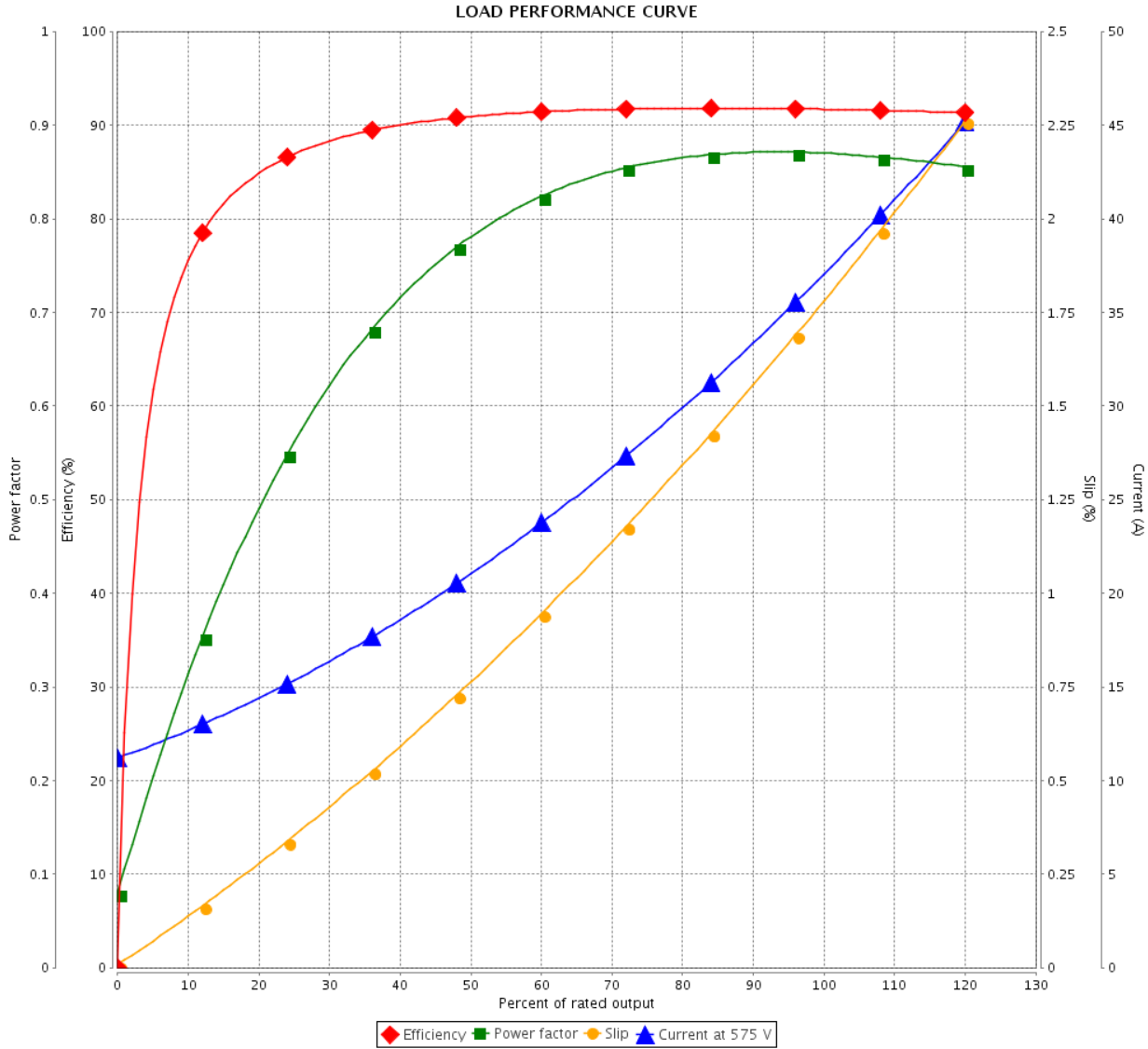
LOAD PERFORMANCE CURVE



Three Phase Induction Motor - Squirrel Cage

Customer : Dealers Industrial Equipment 800-469-3110
 Customer reference : 14829216

Product line : W40 JP Pump High Efficiency Three-Phase Product code : 14829216
 Catalog # : 04036OP3HFP286JPV-W4



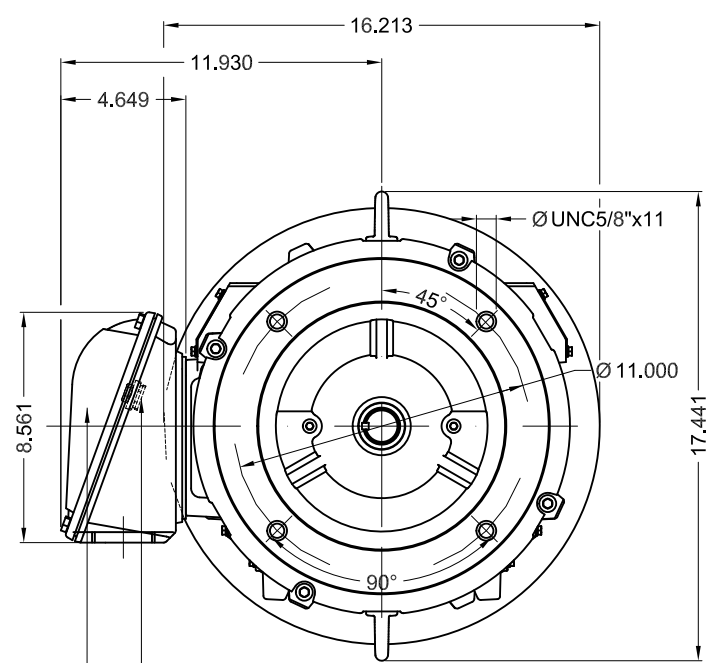
Performance : 575 V 60 Hz 2P

Rated current : 37.8 A	Moment of inertia (J) : 1.91 sq.ft.lb
LRC : 6.1	Duty cycle : Cont.(S1)
Rated torque : 58.6 ft.lb	Insulation class : F
Locked rotor torque : 170 %	Service factor : 1.15
Breakdown torque : 250 %	Temperature rise : 80 K
Rated speed : 3535 rpm	Design : B

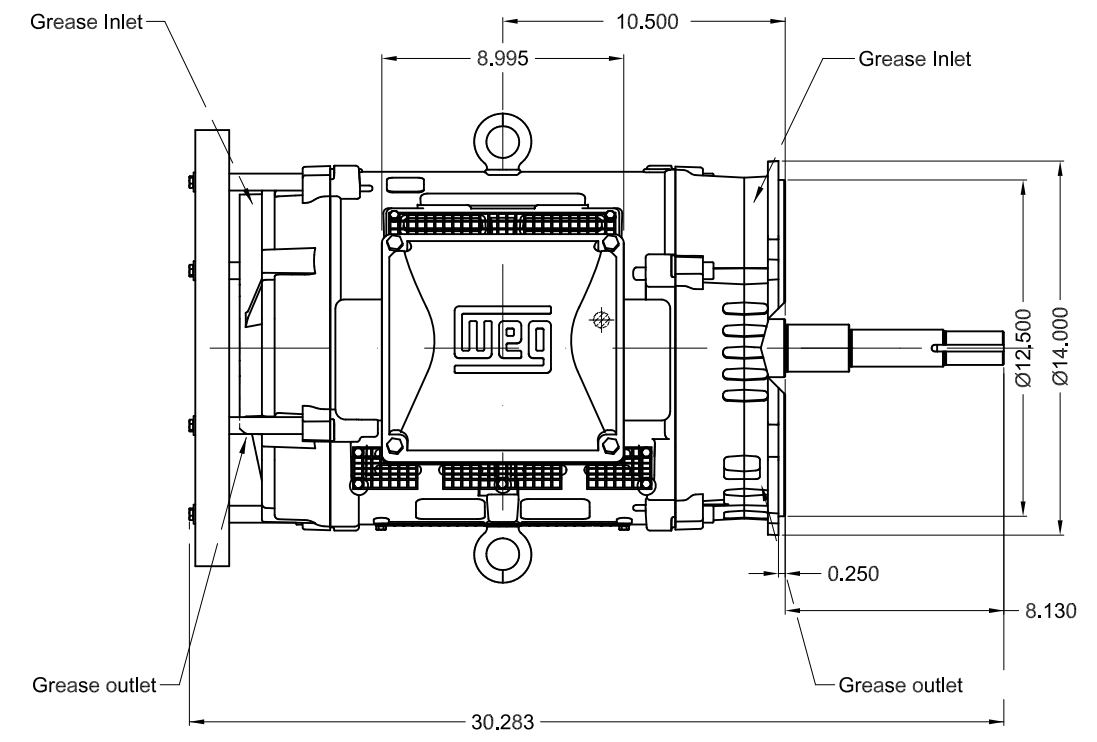
Rev.	Changes Summary	Performed	Checked	Date
Performed by			Page 2 / 2	Revision
Checked by				
Date	16/04/2019			

Dimensões em polegada
Dimensions in inches

THIS IS AN UPDATED REVISION, THE
PREVIOUS ONE MUST BE DISREGARDED.



Grounding for leads 5.2-35 mm² / 10-2 AWG
Main terminal box
NPT 1 1/2"



Color RAL 3002
Painting plan 203A
Mounting V18

					SCALE	1:7		
ECM	LOC	SUMMARY OF MODIFICATIONS		EXECUTED	CHECKED	RELEASED	DATE	VER
EXECUTED	USERADMIN	THREE PHASE W40 MOTOR HIGH EFF						
CHECKED		FRAME 284/6JP IP23 ODP						
RELEASED		CLOSE COUPLED PUMP JP TYPE W						
REL DT	16.04.2019	WMO	Jaragua do Sul	Product Engineering	SHEET	1 / 1		



40 HP 02 Poles 60Hz

A