

DATA SHEET



Three Phase Induction Motor - Squirrel Cage

Customer : Dealers Industrial Equipment 800-469-3110
 Customer reference : 14829214

Product line : W40 JP Pump High Efficiency Three-Phase Product code : 14829214
 Catalog # : 03018OP3VFP286JPV-W4

Frame : 284/6JP	Locked rotor time : 39s (cold) 22s (hot)
Output : 30 HP (22 kW)	Temperature rise : 80 K
Poles : 4	Duty cycle : Cont.(S1)
Frequency : 60 Hz	Ambient temperature : -20°C to +40°C
Rated voltage : 200/400 V	Altitude : 1000 m.a.s.l.
Rated current : 81.9/40.9 A	Protection degree : IP23
L. R. Amperes : 516/258 A	Cooling method : IC01 - ODP
LRC : 6.3x(Code G)	Mounting : W-6
No load current : 25.3/12.7 A	Rotation ¹ : Both (CW and CCW)
Rated speed : 1765 rpm	Starting method : Direct On Line
Slip : 1.94 %	Approx. weight ³ : 381 lb
Rated torque : 88.1 ft.lb	
Locked rotor torque : 250 %	
Breakdown torque : 250 %	
Insulation class : F	
Service factor : 1.15	
Moment of inertia (J) : 3.70 sq.ft.lb	
Design : B	

Output	25%	50%	75%	100%	Foundation loads
Efficiency (%)	91.5	91.7	92.4	92.4	Max. traction
Power Factor	0.49	0.71	0.80	0.84	Max. compression

		<u>Drive end</u>	<u>Non drive end</u>
Bearing type :		6311 Z C3	6211 Z C3
Sealing :		Without Bearing Seal	Without Bearing Seal
Lubrication interval :		20000 h	20000 h
Lubricant amount :		18 g	11 g
Lubricant type :		Mobil Polyrex EM	

Notes
 downloaded from <http://dealerselectric.com>

This revision replaces and cancel the previous one, which must be eliminated.
 (1) Looking the motor from the shaft end.
 (2) Measured at 1m and with tolerance of +3dB(A).
 (3) Approximate weight subject to changes after manufacturing process.
 (4) At 100% of full load.

These are average values based on tests with sinusoidal power supply, subject to the tolerances stipulated in NEMA MG-1.

Rev.	Changes Summary	Performed	Checked	Date
Performed by			Page 1 / 2	Revision
Checked by				
Date	16/04/2019			

LOAD PERFORMANCE CURVE

Three Phase Induction Motor - Squirrel Cage

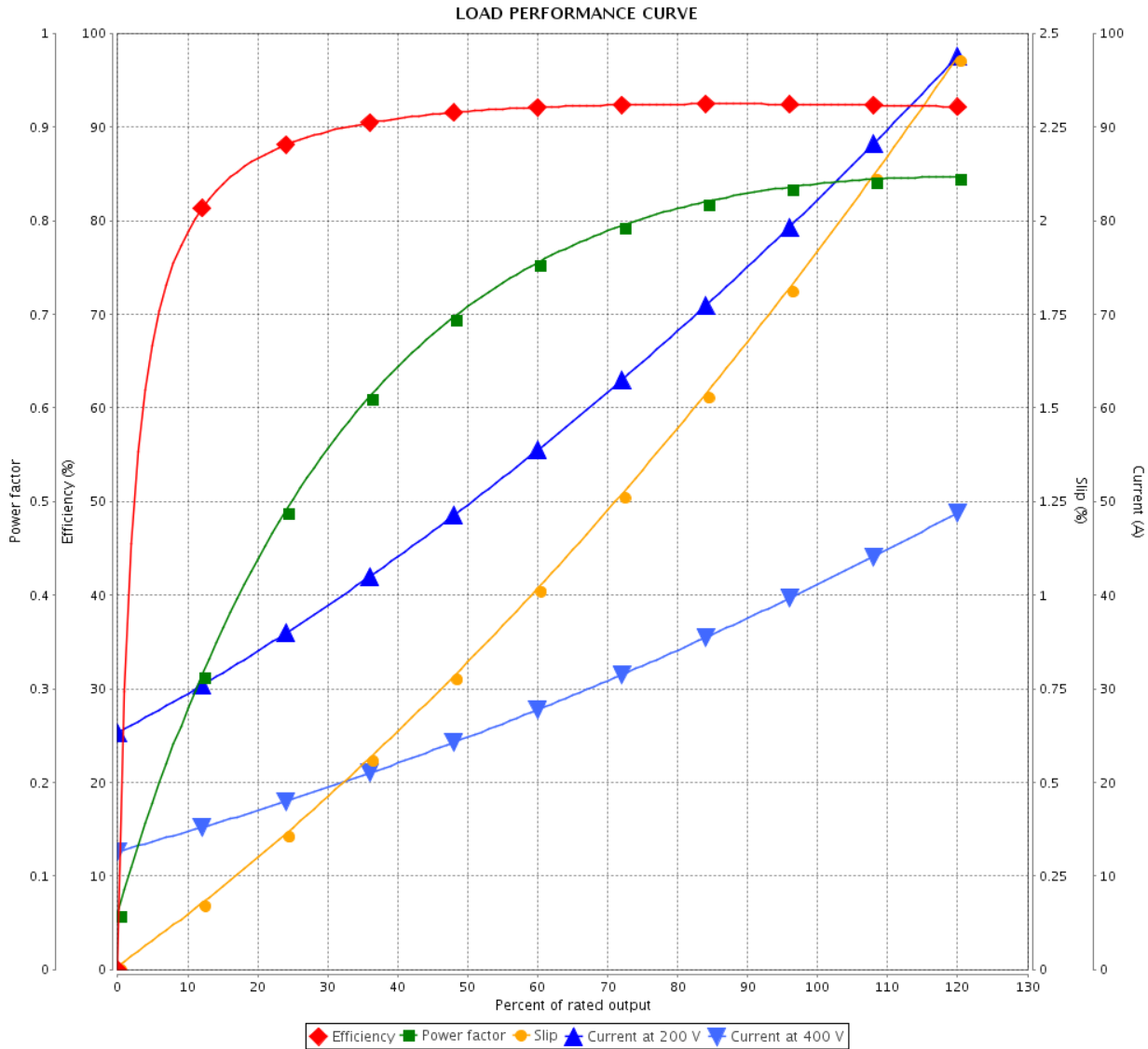


Customer : Dealers Industrial Equipment 800-469-3110
 Customer reference : 14829214

Product line : W40 JP Pump High Efficiency
 Three-Phase

Product code : 14829214

Catalog # : 03018OP3VFP286JPV-W4



Performance : 200/400 V 60 Hz 4P

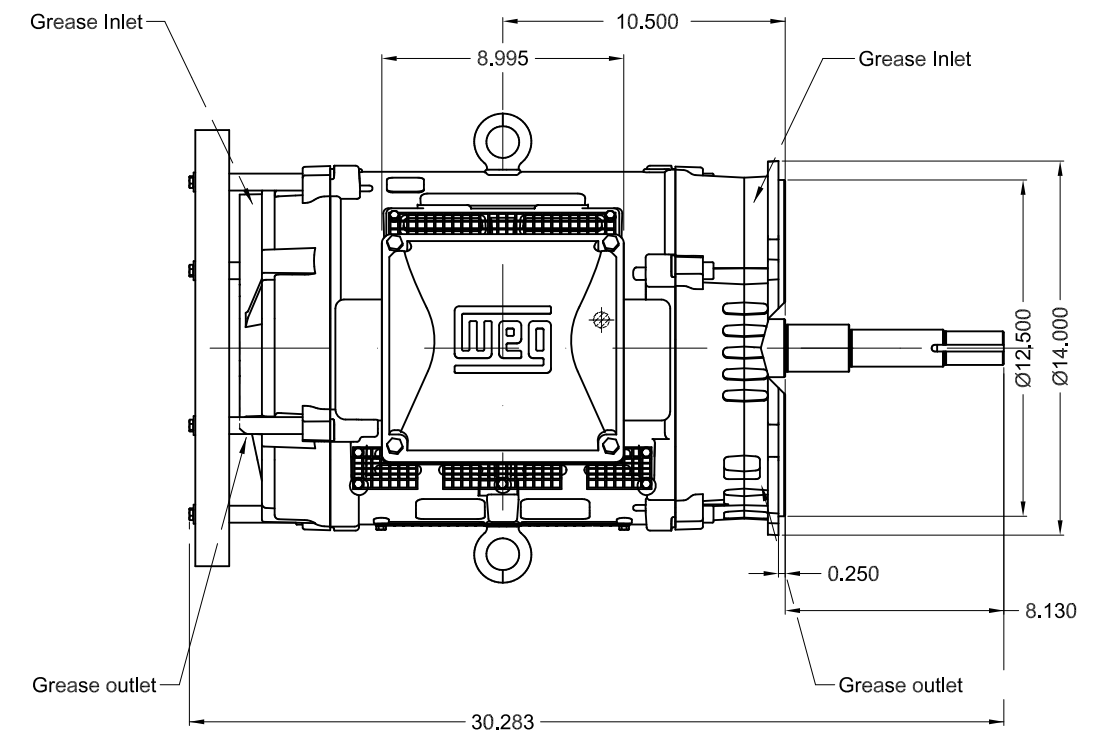
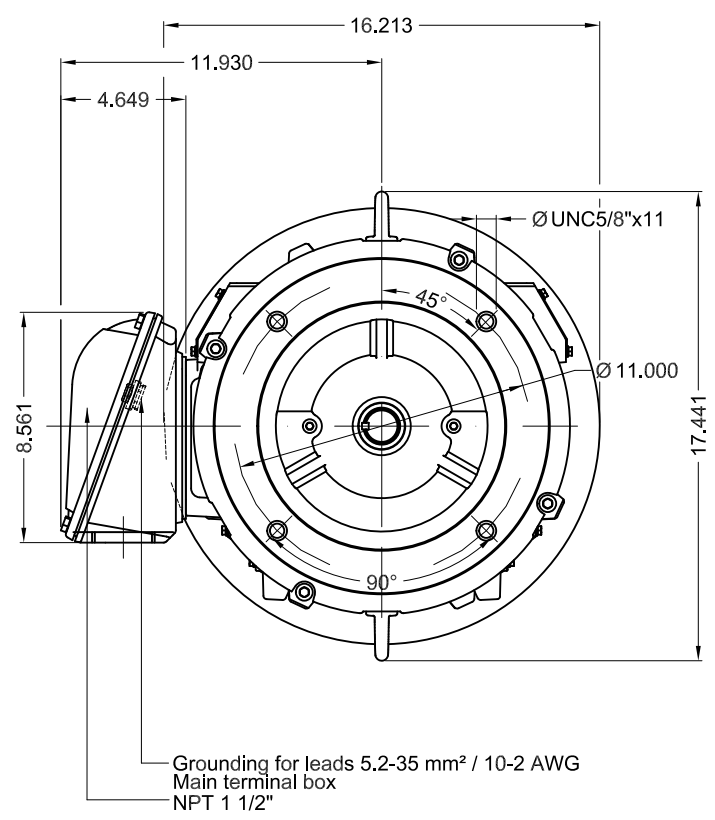
Rated current : 81.9/40.9 A
 LRC : 6.3
 Rated torque : 88.1 ft.lb
 Locked rotor torque : 250 %
 Breakdown torque : 250 %
 Rated speed : 1765 rpm

Moment of inertia (J) : 3.70 sq.ft.lb
 Duty cycle : Cont.(S1)
 Insulation class : F
 Service factor : 1.15
 Temperature rise : 80 K
 Design : B

Rev.	Changes Summary	Performed	Checked	Date
Performed by			Page 2 / 2	Revision
Checked by				
Date	16/04/2019			

Dimensões em polegada
Dimensions in inches

THIS IS AN UPDATED REVISION, THE
PREVIOUS ONE MUST BE DISREGARDED.



Color RAL 3002		Painting plan 203A		Mounting V18		SCALE	1:7		
ECM	LOC	SUMMARY OF MODIFICATIONS			EXECUTED	CHECKED	RELEASED	DATE	VER
EXECUTED	USERADMIN	THREE PHASE W40 MOTOR HIGH EFF							
CHECKED		FRAME 284/6JP IP23 ODP							
RELEASED		CLOSE COUPLED PUMP JP TYPE W							
REL DT	16.04.2019	WMO	Jaragua do Sul	Product Engineering	SHEET	1 / 1			

30 HP 04 Poles 60Hz